

DALLAS

SEMICONDUCTOR

DS1233

5V EconoReset

T-58-11-13

FEATURES

- Automatically restarts microprocessor after power failure
- Monitors pushbutton for external override
- Internal circuitry debounces pushbutton switch
- Maintains reset for 350 ms after V_{CC} returns to an in-tolerance condition or pushbutton released
- Accurate 10% or 15% microprocessor 5V power supply monitoring
- Reduces need for discrete components
- Precision temperature-compensated voltage reference and voltage sensor
- Low-cost TO-92 package or surface mount SOT-223 package
- Internal 5K ohm pull-up resistor

PIN ASSIGNMENT



TO-92 Package
See Mech. Drawing
Sect. 16, Pg. 18



SOT-223 Package
See Mech. Drawing
Sect. 16, Pg. 19

PIN DESCRIPTION

PIN 1	GROUND
PIN 2	RESET
PIN 3	V_{CC}

DESCRIPTION

The DS1233 EconoReset monitors two vital conditions for a microprocessor: power supply and external override. A precision temperature compensated reference and comparator circuit are used to monitor the status of the power supply (V_{CC}). When an out-of-tolerance condition is detected, an internal power fail signal is generated which forces reset to the active state. When V_{CC}

returns to an in-tolerance condition, the reset signal is kept in the active state for approximately 350 ms to allow the power supply and processor to stabilize. The second function of the DS1233 is pushbutton reset control. The DS1233 debounces a pushbutton closure and will generate a 350 ms reset pulse upon release.

DALLAS SEMICONDUCTOR CORP 50E D ■ 2614130 0005425 2 ■ DAL

OPERATION - POWER MONITOR

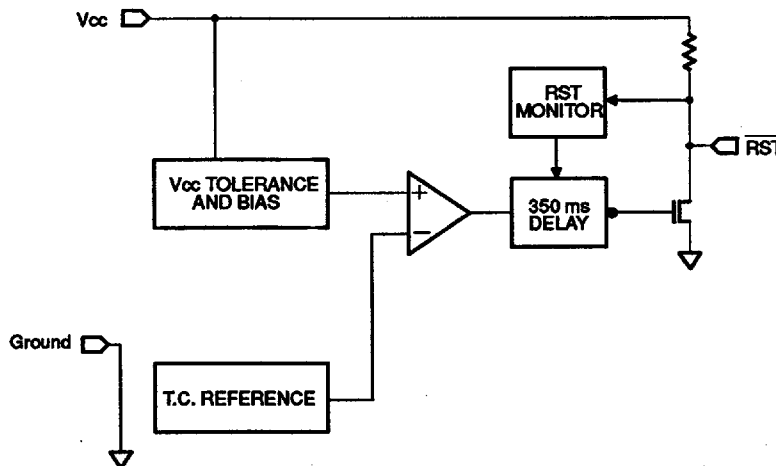
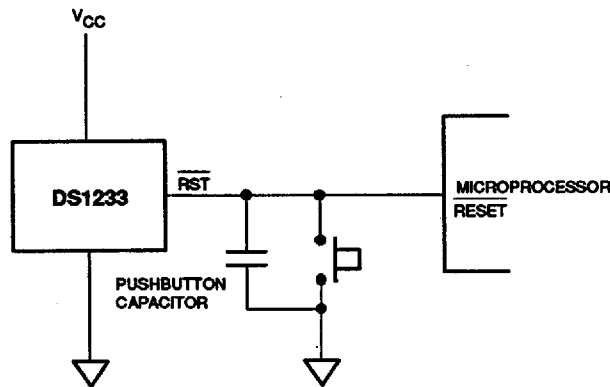
The DS1233 provides the functions of detecting out-of-tolerance power supply conditions and warning a processor-based system of impending power failure. When V_{CC} is detected as out-of-tolerance, as defined by the tolerance of the part selected, the \overline{RST} signal is asserted. On power-up, \overline{RST} is kept active for approximately 350 ms after the power supply has reached the selected tolerance. This allows the power supply and microprocessor to stabilize before \overline{RST} is released.

OPERATION - PUSHBUTTON RESET

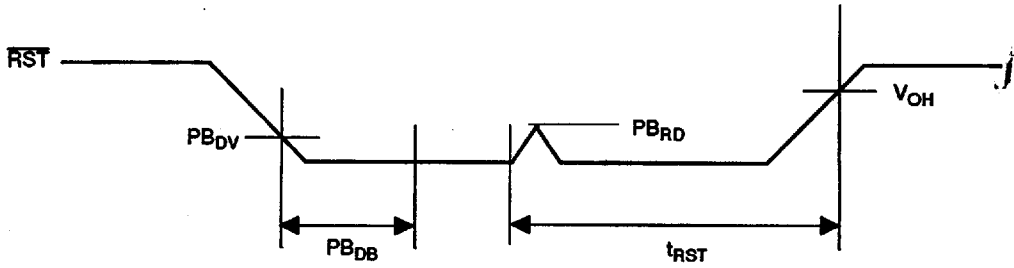
The DS1233 provides for a pushbutton switch to be connected to the \overline{RST} output pin. When the DS1233 is not

in a reset cycle, it continuously monitors the \overline{RST} signal for a low going edge. If an edge is detected, the DS1233 will debounce the switch by pulling the \overline{RST} line low. After the internal timer has expired, the DS1233 will continue to monitor the \overline{RST} line. If the line is still low, the DS1233 will continue to monitor the line looking for a rising edge. Upon detecting a release, the DS1233 will force the \overline{RST} line low and hold it low for 350 ms.

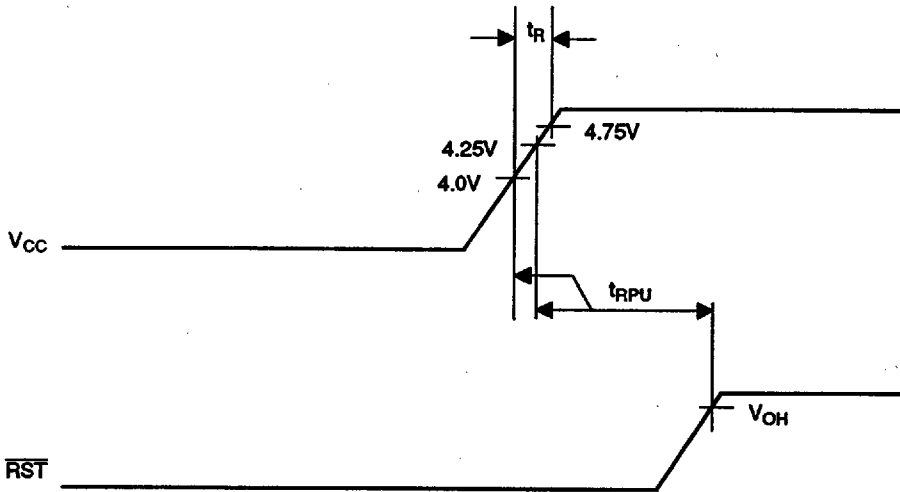
NOTE: For proper operation with an external pushbutton, a capacitor between 100 pF and 0.01 μ F must be connected between \overline{RST} and ground. In applications where additional reset current is required, a minimum capacitance of 500 pF should be used, along with a parallel external pull-up resistor of 1K Ω minimum.

BLOCK DIAGRAM Figure 1**APPLICATION EXAMPLE** Figure 2

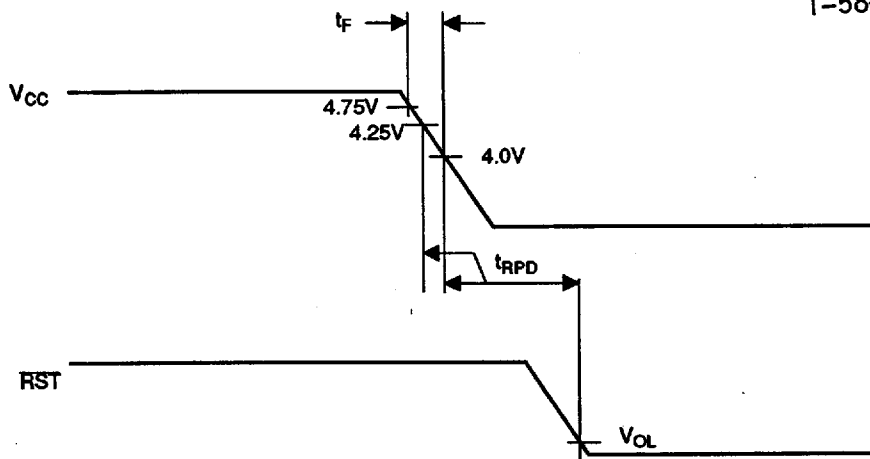
10



POWER UP Figure 4



T-58-11-13

**ABSOLUTE MAXIMUM RATINGS***

Voltage on any Pin Relative to Ground

-1.0V to +7.0V

Operating Temperature

0°C to 70°C

Storage Temperature

-55°C to +125°C

Soldering Temperature

260°C for 10 seconds

* This is a stress rating only and functional operation of the device at these or any other conditions outside those indicated in the operation sections of this specification is not implied. Exposure to absolute maximum rating conditions for extended periods of time may affect reliability.

RECOMMENDED DC OPERATING CONDITIONS

(0°C to 70°C)

PARAMETER	SYMBOL	MIN	TYP	MAX	UNITS	NOTES
Supply Voltage	V _{CC}	1.2	5.0	5.5	Volts	1

10

DC ELECTRICAL CHARACTERISTICS(0°C to 70°C; V_{DD} = 5V ± 10%)

PARAMETER	SYMBOL	MIN	TYP	MAX	UNITS	NOTES
Low Level @ RST	V _{OL}			0.4	Volts	
Output Current @ 2.4V	I _{OH}		350		μA	
Output Current @ 0.4V	I _{OL}	+10			mA	
Operating Current				50	μA	
V _{CC} Trip Point 10%	V _{CCTP1}	4.25	4.375	4.49	Volts	1
V _{CC} Trip Point 15%	V _{CCTP2}	4.0	4.125	4.24	Volts	1
Output Capacitance	C _{OUT}			10	pF	
Pushbutton Detect 10%	PB _{DV}	1.8		3.3	Volts	1
Pushbutton Detect 15%	PB _{DV}	1.8		3.3	Volts	1
Pushbutton Release	PB _{RD}		0.3	0.8	Volts	1,2
Internal Pull-Up Resistor	R _P	3.75	5	6.25	KOhm	

DALLAS SEMICONDUCTOR CORP 50E D ■ 2614130 0005428 8 ■ DAL

AC ELECTRICAL CHARACTERISTICS(0°C to 70°C; $V_{CC} = 5V \pm 10\%$)

PARAMETER	SYMBOL	MIN	TYP	MAX	UNITS	NOTES
Reset Active Time	t_{RST}	250	350	450	ms	
V_{CC} Detect to \overline{RST}	t_{RPD}			100	ns	
V_{CC} Slew Rate (4.75V - 4.00V)	t_f	300			μs	
V_{CC} Slew Rate (4.00V - 4.75V)	t_R	0			ns	
Pushbutton Debounce	PB_{DB}	250	350	450	ms	
V_{CC} detect to RST	t_{RPU}	250	350	450	ms	

NOTES:

1. All voltages are referenced to ground.
2. With a 100 pF to 0.01 μF capacitor connected from \overline{RST} to ground.