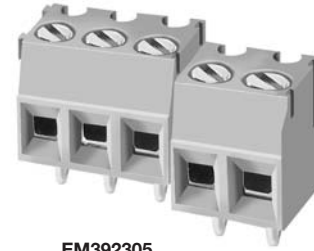


EM3923 Series Euro-Mag Terminal Blocks 3.50 Centers; Modular

SPECIFICATIONS

- Rating:** 8A, 300V
- Center Spacing:** .138" (3.50 mm)
- Wire Range:** #16-26 AWG
- Housing Material:** UL rated 94V0 Thermoplastic
- Contact Material:** Brass Tin Plated
- Cage Clamp:** Brass, Nickel Plated
- Screw Size:** M2.0 Nickel Plated Steel
- Operating Temperature:** 105°C (221°F) max., -40°C (-67°F) min.
- Torque Rating:** 2.5 in.-lb.
- Recommended PCB Hole Diameters:** .055" (1.40)
- Construction:** Modular design features dove-tails for interlocking to achieve longer lengths
- Agency Information:** UL/CSA; CE Certified



EM392305

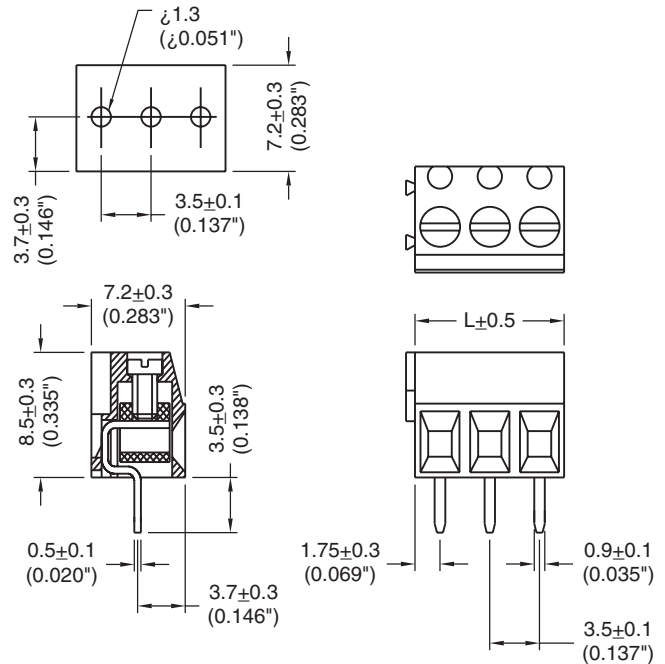


TABLE A

Poles	L (mm)	Poles	L (mm)
2	7.00	14	49.50
3	10.50	15	52.50
4	14.00	16	56.00
5	17.50	17	59.50
6	21.00	18	63.00
7	24.50	19	66.50
8	28.00	20	70.00
9	31.50	21	73.50
10	35.00	22	77.00
11	38.50	23	80.50
12	42.00	24	84.00
13	45.50		

To convert to inches, divide by 25.4

Part Numbering System

Series

EM3923

of Poles

□□

02 to 24

Euro-MAG Series
PCB - Cage Clamp

EM3503 Series Euro-Mag Terminal Blocks

3.81 Centers; Modular

SPECIFICATIONS

Rating: 8A, 300V

Center Spacing: .150" (3.81 mm)

Wire Size: #16-26 AWG

Housing Material: UL rated 94V0 Thermoplastic

Contact Material: Brass Tin Plated

Screw Size: M 2x3 Zinc Plated Steel

Operating Temperature: 105°C (221°F) max., -40°C (-40°F) min.

Torque Rating: 4.5 in-lb.

Recommended PCB Hole Diameters: .055" (1.40)

Construction: Modular design features dove-tails for interlocking to achieve longer lengths

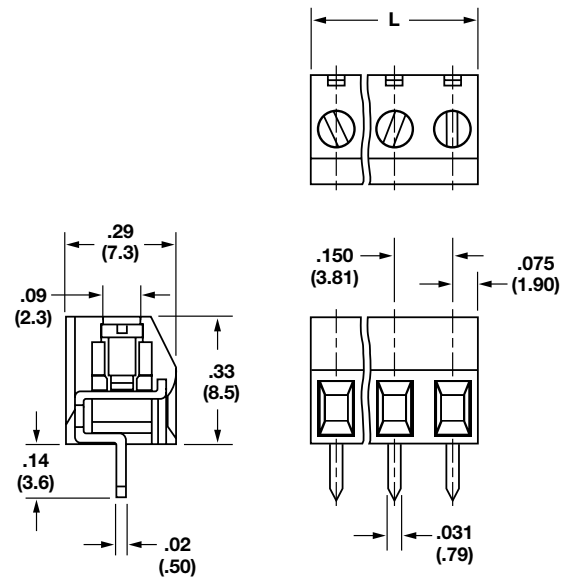
Approvals: UL/CSA; CE Certified

EM350305

TABLE A

Poles	L (mm)	Poles	L (mm)
2	7.62	14	53.34
3	11.43	15	57.15
4	15.24	16	60.96
5	19.05	17	64.77
6	22.86	18	68.58
7	26.67	19	72.39
8	30.48	20	76.20
9	34.29	21	80.01
10	38.10	22	83.82
11	41.91	23	87.63
12	45.72	24	91.44
13	49.53		

To convert to inches, divide by 25.4



Part Numbering System

Series

of Positions

EM3503

□ □

02 to 24

EM2585 Series Euro-Mag Terminal Blocks

5.00 Centers; Modular

SPECIFICATIONS

Rating: 16A, 300V

Center Spacing: .197" (5.00 mm)

Consult factory for .394" (10.00 mm)

Wire Range: #12-26 AWG

Housing Material: UL rated 94V0 Thermoplastic

Contact Material: Brass Tin Plated

Screw Size: M3x5 Zinc Plated Steel

Operating Temperature: 105°C (221°F) max., -40°C (-40°F) min.

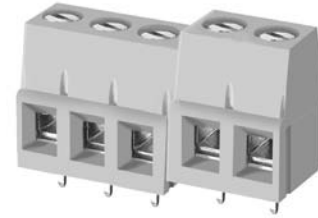
Torque Rating: 7 in-lb.

Recommended PCB Hole Diameters: .055" (1.40)

Construction: Modular design features dove-tails for interlocking to achieve longer lengths

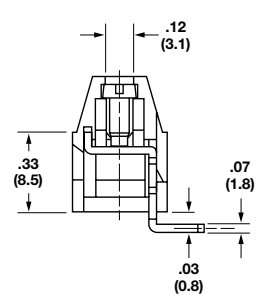
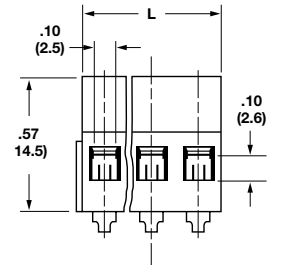
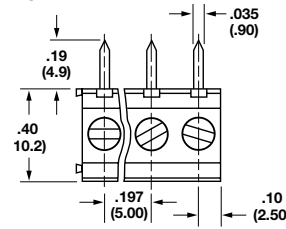
Connector Style: Rising Cage Clamp

Agency Information: UL/CSA; CE Certified



EM258505V

HORIZONTAL



VERTICAL

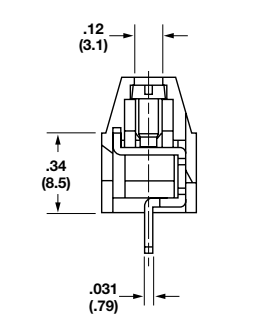
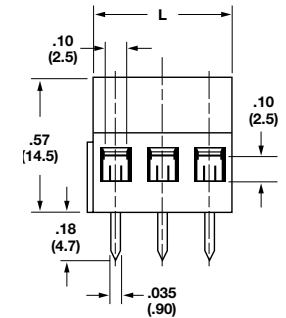
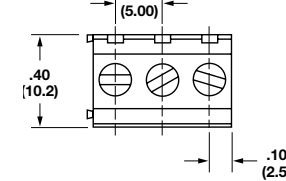


TABLE A

Position	L (mm)	Position	L (mm)
02	10.00	14	70.00
03	15.00	15	75.00
04	20.00	16	80.00
05	25.00	17	85.00
06	30.00	18	90.00
07	35.00	19	95.00
08	40.00	20	100.00
09	45.00	21	105.00
10	50.00	22	110.00
11	55.00	23	115.00
12	60.00	24	120.00
13	65.00		

To convert to inches, divide by 25.4

Part Numbering System

Series

EM2585

of Positions

□□

02 to 24

Orientation

□

H - horizontal
V - vertical

EM3225 Series Euro-Mag Terminal Blocks

35° Angle; 5.00 Centers; Modular

SPECIFICATIONS

Rating: 16A, 300V

Center Spacing: .197" (5.00 mm)

Consult factory for .393" (10.00 mm)

Wire Range: #14-24 AWG

Housing Material: UL rated 94V0 Thermoplastic

Contact Material: Brass Tin Plated

Cage Clamp: Brass, Nickel Plated

Screw Size: M2.6 Nickel Plated Steel

Operating Temperature: 105°C (221°F) max., -40°C (-40°F) min.

Torque Rating: 5 in-lb.

Recommended PCB Hole Diameters: .055" (1.40)

Construction: Modular design features dove-tails for interlocking to achieve longer lengths

Agency Information: UL/CSA; CE Certified

EM322505

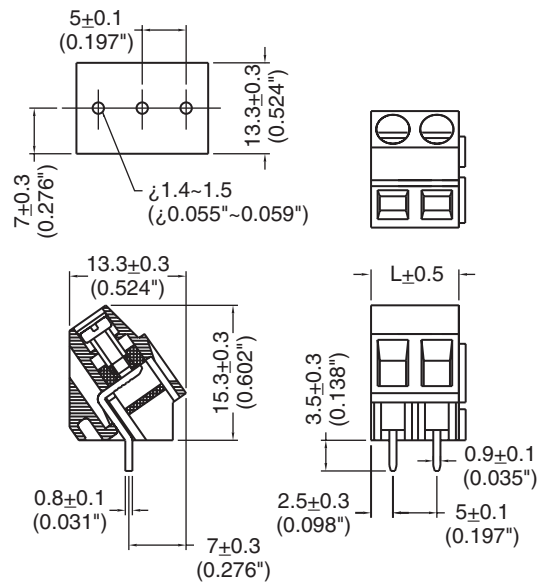


TABLE A

Poles	L (mm)	Poles	L (mm)
2	10.00	14	70.00
3	15.00	15	75.00
4	20.00	16	80.00
5	25.00	17	85.00
6	30.00	18	90.00
7	35.00	19	95.00
8	40.00	20	100.00
9	45.00	21	105.00
10	50.00	22	110.00
11	55.00	23	115.00
12	60.00	24	120.00
13	65.00		

To convert to inches, divide by 25.4

Part Numbering System

Series

EM3225

of Poles

□□

02 to 24

EM2205 Series Euro-Mag Terminal Blocks

45° Angle, 5.00 Centers, Modular

SPECIFICATIONS

Rating: 10A, 300V

Center Spacing: .197" (5.00 mm)

Consult factory for .393" (10.00 mm)

Wire Range: #12-24 AWG

Housing Material: Grey Polyamide Type 6/6, 94V0

Contact Material: Brass Tin Plated

Cage Clamp: Brass, Tin Plated

Screw Size: M2.6 Chromate Steel

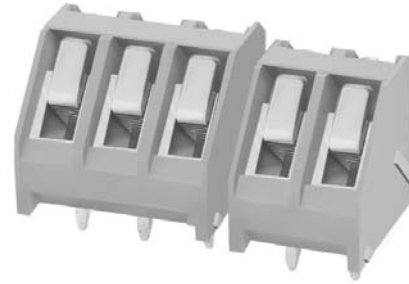
Operating Temperature: 105°C (221°F) max., -33°C (-27°F) min.

Torque Rating: 3.5 in-lb.

Recommended PCB Hole Diameters: .055" (1.40)

Construction: Modular design features dove-tails for interlocking to achieve longer lengths

Agency Information: UL/CSA; CE Certified



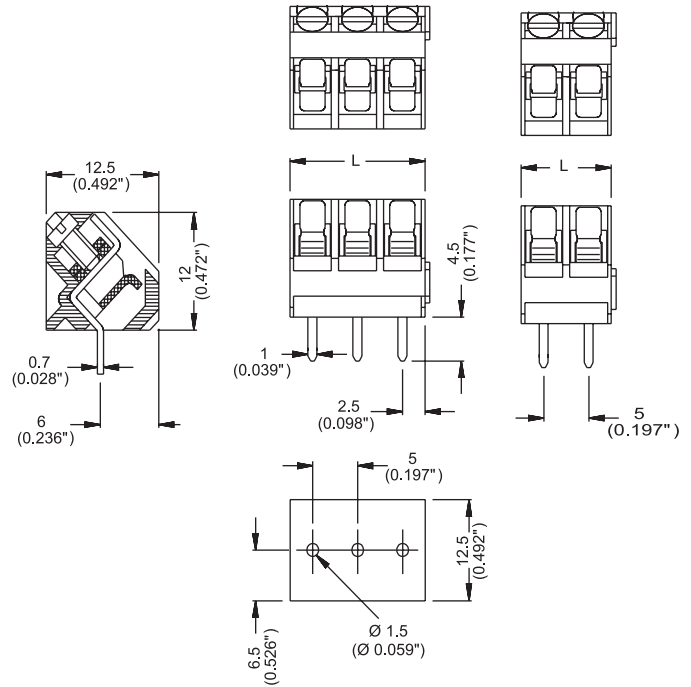
EM220505

Euro-MAG Series
PCB - Cage Clamp

TABLE A

Poles	L (mm)	Poles	L (mm)
2	10.00	14	70.00
3	15.00	15	75.00
4	20.00	16	80.00
5	25.00	17	85.00
6	30.00	18	90.00
7	35.00	19	95.00
8	40.00	20	100.00
9	45.00	21	105.00
10	50.00	22	110.00
11	55.00	23	115.00
12	60.00	24	120.00
13	65.00		

To convert to inches, divide by 25.4



Part Numbering System

Series

of Poles

EM2205

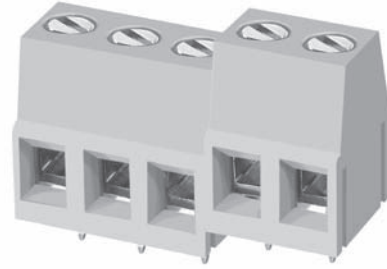
□ □

02 to 24

EM2505 Series
Euro-Mag Terminal Blocks
5.08 Centers; Modular

SPECIFICATIONS

Rating : 16A, 300V
 Center Spacing : .200 " (5.08 mm)
 Consult factory for .400 " (10.16 mm)
 Wire Range : #12-26 AWG
 Housing Material : UL rated 94V0 Thermoplastic
 Contact Material : Brass Tin Plated
 Screw Size : M3x5 Zinc Plated Steel
 Operating Temperature : 105°C (221°F) max., -40°C (-40°F) min.
 Torque Rating : 7 in-lb.
 Recommended PCB Hole Diameters : .055 " (1.40)
 Construction : Modular design features dove-tails for interlocking to achieve longer lengths
 Connector Style : Rising Cage Clamp
 Agency Information : UL/CSA; CE Certified

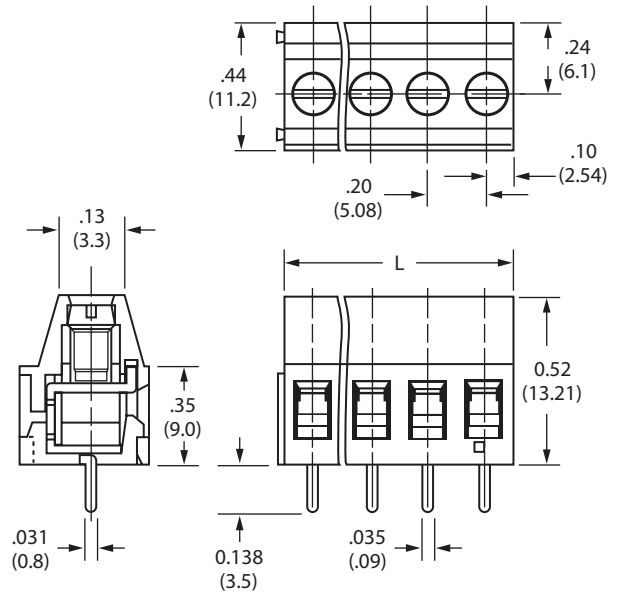


EM250505V

TABLE A

Position	L (mm)	Position	L (mm)
02	10.16	14	71.12
03	15.24	15	76.20
04	20.32	16	81.28
05	25.40	17	86.36
06	30.48	18	91.44
07	35.56	19	96.52
08	40.64	20	101.60
09	45.72	21	106.68
10	50.80	22	111.76
11	55.88	23	116.84
12	60.96	24	121.92
13	66.04		

To convert to inches, divide by 25.4



Euro-MAG Series
PCB - Cage Clamp

Part Numbering System

Series



of Positions



02 to 24

Orientation



V - vertical

EM3228 Series Euro-Mag Terminal Blocks

35° Angle; 5.08 Centers; Modular

SPECIFICATIONS

Rating: 16A, 300V

Center Spacing: .200" (5.08 mm)

Consult factory for .400" (10.16 mm)

Wire Range: #14-24 AWG

Housing Material: UL rated 94V0 Thermoplastic

Contact Material: Brass Tin Plated

Cage Clamp: Brass, Nickel Plated

Screw Size: M2.6 Nickel Plated Steel

Operating Temperature: 105°C (221°F) max., -40°C (-40°F) min.

Torque Rating: 5 in-lb.

Recommended PCB Hole Diameters: .055" (1.40)

Construction: Modular design features dove-tails for interlocking to achieve longer lengths

Agency Information: UL/CSA; CE Certified

EM322805

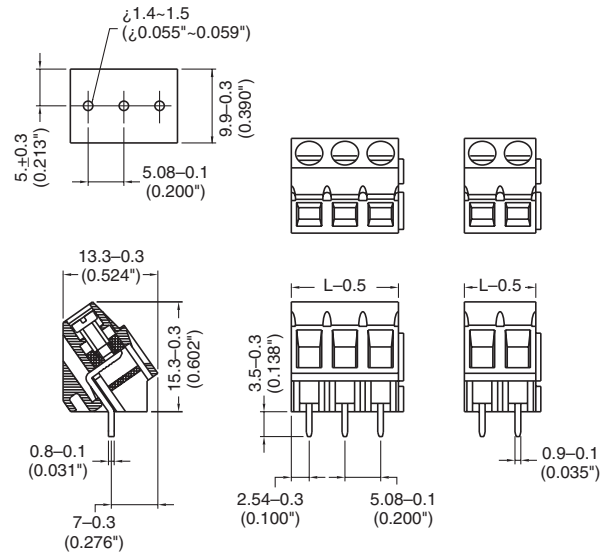


TABLE A

Poles	L (mm)	Poles	L (mm)
2	10.16	14	72.12
3	15.24	15	76.20
4	20.32	16	81.28
5	25.40	17	86.36
6	30.48	18	91.44
7	35.56	19	96.52
8	40.64	20	101.60
9	45.72	21	106.68
10	50.80	22	111.76
11	55.88	23	116.84
12	60.96	24	121.92
13	66.04		

To convert to inches, divide by 25.4

Part Numbering System

Series

of Poles

EM3228

□□

02 to 24

EM2507 Series Euro-Mag Terminal Blocks

7.50 Centers; Modular

SPECIFICATIONS

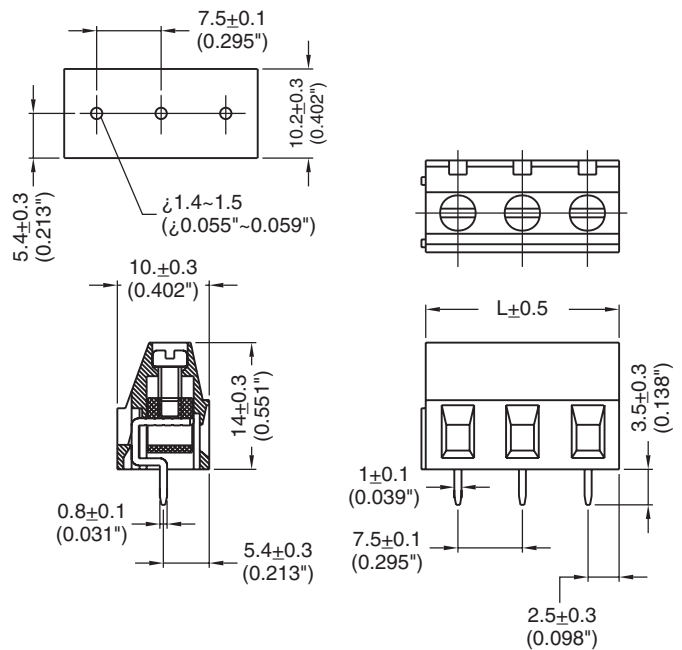
Rating: 16A, 300V
Center Spacing: .295" (7.50)
Wire Range: #14-22 AWG
Housing Material: UL rated 94V0 Thermoplastic
Contact Material: Brass Tin Plated
Cage Clamp: Brass, Nickel Plated
Screw Size: M2.6 Nickel Plated Steel
Operating Temperature: 105°C (221°F) max., -40°C (-40°F) min.
Torque Rating: 5.0 in-lb.
Recommended PCB Hole Diameters: .055" (1.40)
Construction: Modular design features dove-tails for interlocking to achieve longer lengths
Agency Information: UL/CSA; CE Certified

EM250705

TABLE A

Poles	L (mm)	Poles	L (mm)
2	15.00	14	105.00
3	22.50	15	112.50
4	33.00	16	120.00
5	37.50	17	127.50
6	45.00	18	133.00
7	52.50	19	142.50
8	60.00	20	150.00
9	67.50	21	157.50
10	75.00	22	165.00
11	82.50	23	172.50
12	90.00	24	180.00
13	97.50		

To convert to inches, divide by 25.4



Euro-MAG Series
PCB - Cage Clamp

Part Numbering System

Series

EM2507

of Poles

□□

02 to 24

EM3227 Series Euro-Mag Terminal Blocks

35° Angle, 7.50 Centers; Modular

SPECIFICATIONS

Rating: 16A, 300V

Center Spacing: .295" (7.50 mm)

Consult factory for .400" (10.16 mm)

Wire Range: #14-24 AWG

Housing Material: UL rated 94V0 Thermoplastic

Contact Material: Brass Tin Plated

Cage Clamp: Brass, Nickel Plated

Screw Size: M2.6 Nickel Plated Steel

Operating Temperature: 105°C (221°F) max., -40°C (-40°F) min.

Torque Rating: 5.0 in-lb.

Recommended PCB Hole Diameters: .055" (1.40)

Construction: Modular design features dove-tails for interlocking to achieve longer lengths

Agency Information: UL/CSA; CE Certified

EM322705

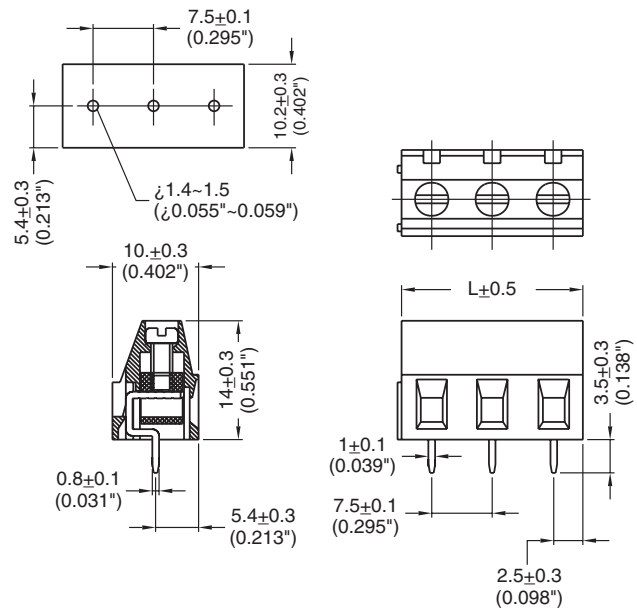


TABLE A

Poles	L (mm)	Poles	L (mm)
2	15.00	14	105.00
3	22.50	15	112.50
4	33.00	16	120.00
5	37.50	17	127.50
6	45.00	18	133.00
7	52.50	19	142.50
8	60.00	20	150.00
9	67.50	21	157.50
10	75.00	22	165.00
11	82.50	23	172.50
12	90.00	24	180.00
13	97.50		

To convert to inches, divide by 25.4

Part Numbering System

Series

of Poles

EM3227

□□

02 to 24

Euro-MAG Series
PCB - Cage Clamp

EM2506 Series Euro-Mag Terminal Blocks

7.62 Centers; Modular

SPECIFICATIONS

Rating: 16A, 300V

Center Spacing: .300" (7.62)

Wire Range: #14-24 AWG

Housing Material: UL rated 94V0 Thermoplastic

Contact Material: Brass Tin Plated

Cage Clamp: Brass, Nickel Plated

Screw Size: M2.6 Nickel Plated Steel

Operating Temperature: 105°C (221°F) max., -40°C (-40°F) min.

Torque Rating: 5.0 in-lb.

Recommended PCB Hole Diameters: .055" (1.40)

Construction: Modular design features dove-tails for interlocking to achieve longer lengths

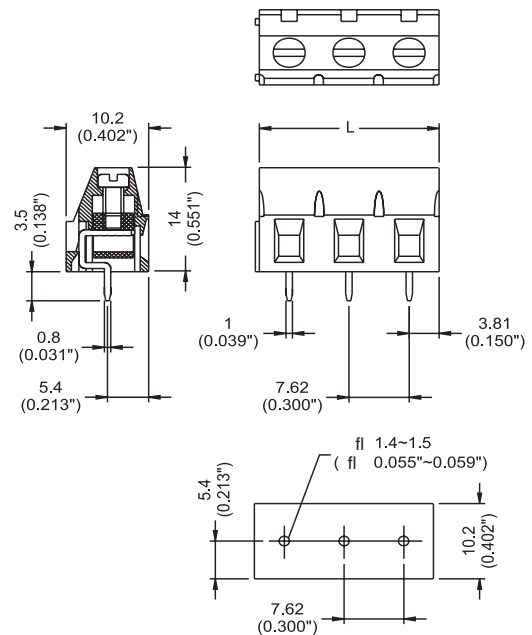
Agency Information: UL/CSA; CE Certified

EM250605

TABLE A

Poles	L (mm)	Poles	L (mm)
2	15.24	14	106.69
3	22.86	15	114.31
4	30.48	16	121.93
5	38.10	17	129.55
6	45.72	18	137.17
7	53.34	19	144.79
8	60.96	20	152.41
9	68.58	21	160.03
10	76.20	22	167.65
11	83.82	23	175.27
12	91.44	24	182.89
13	99.07		

To convert to inches, divide by 25.4



Euro-MAG Series
PCB - Cage Clamp

Part Numbering System

Series

EM2506

of Poles

□ □

02 to 24

EM3226 Series Euro-Mag Terminal Blocks

35° Angle, 7.62 Centers; Modular

SPECIFICATIONS

Rating: 16A, 300V

Center Spacing: .300" (7.62)

Wire Range: #14-24 AWG

Housing Material: UL rated 94V0 Thermoplastic

Contact Material: Brass Tin Plated

Cage Clamp: Brass, Nickel Plated

Screw Size: M2.6 Nickel Plated Steel

Operating Temperature: 105°C (221°F) max., -40°C (-40°F) min.

Torque Rating: 5.0 in-lb.

Recommended PCB Hole Diameters: .055" (1.40)

Construction: Modular design features dove-tails for interlocking to achieve longer lengths

Agency Information: UL/CSA; CE Certified

EM322605

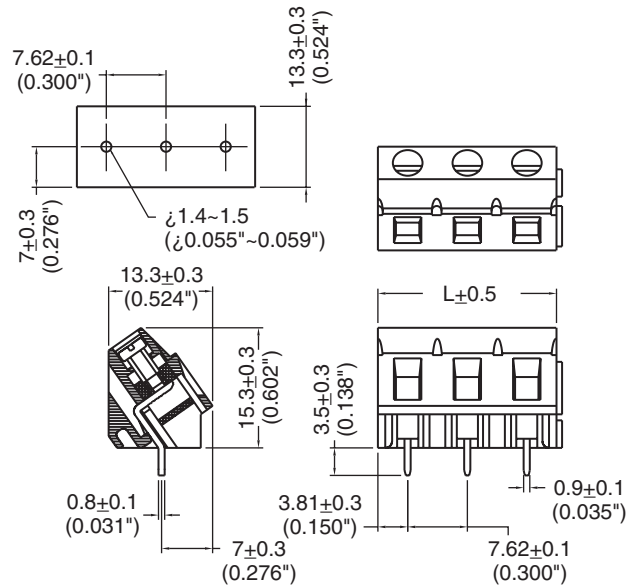


TABLE A

Poles	L (mm)	Poles	L (mm)
2*	15.24	14	106.69
3*	22.86	15	114.31
4	30.48	16	121.93
5	38.10	17	129.55
6	45.72	18	137.17
7	53.34	19	144.79
8	60.96	20	152.41
9	68.58	21	160.03
10	76.20	22	167.65
11	83.82	23	175.27
12	91.44	24	182.89
13	99.07		

* Mold To Length

To convert to inches, divide by 25.4

Part Numbering System

Series

EM3226

of Poles

□ □

02 to 24