

High Power DPDT Switch with Logic Control

Description

The CXG1144EN is a high power DPDT switch MMIC. This IC can be used in wireless communication systems, for example, CDMA handsets with GPS. The CXG1144EN can be operated by one CMOS control line. The Sony's J-FET process is used for low insertion loss and on-chip logic circuit.

Features

- Low insertion loss: 0.30dB @900MHz,
0.45dB @1900MHz
- High linearity: IIP3 (Typ.) = 65dBm
- 1 CMOS compatible control line
- Small package size: 10-pin VSON

Applications

- Dual-band cellular handsets
- CDMA with GPS, dual-band CDMA

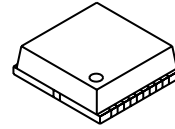
Structure

GaAs J-FET MMIC

Absolute Maximum Ratings (Ta = 25°C)

• Bias voltage	V _{DD}	7	V
• Control voltage	V _{ctl}	5	V
• Operating temperature	T _{opr}	-35 to +85	°C
• Storage temperature	T _{stg}	-65 to +150	°C

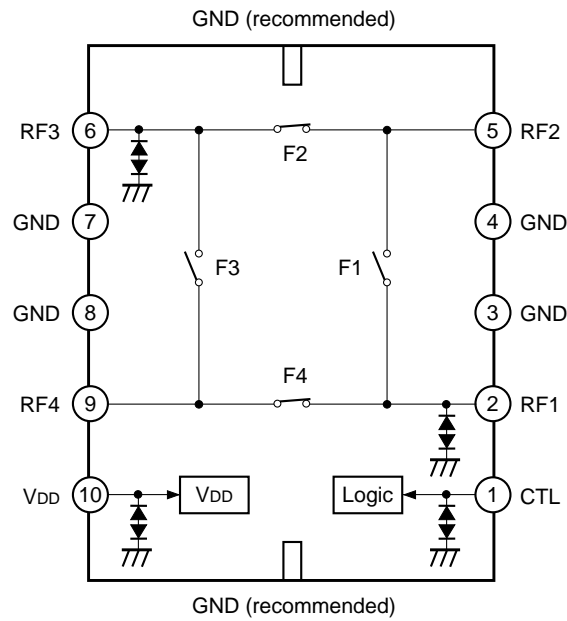
10 pin VSON (Plastic)



GaAs MMICs are ESD sensitive devices. Special handling precautions are required.

Sony reserves the right to change products and specifications without prior notice. This information does not convey any license by any implication or otherwise under any patents or other right. Application circuits shown, if any, are typical examples illustrating the operation of the devices. Sony cannot assume responsibility for any problems arising out of the use of these circuits.

Block Diagram and Terminal Arrangement Figure



Truth Table

CTL	ON state	OFF state	F1	F2	F3	F4
L	RF1 – RF2, RF3 – RF4	RF2 – RF3, RF4 – RF1	ON	OFF	ON	OFF
H	RF2 – RF3, RF4 – RF1	RF1 – RF2, RF3 – RF4	OFF	ON	OFF	ON

Pin Description 1

Pin No.	Symbol	Description
1	CTL	Control signal input
2	RF1	RF signal input
3	GND	GND
4	GND	GND
5	RF2	RF signal output
6	RF3	RF signal input
7	GND	GND
8	GND	GND
9	RF4	RF signal output
10	V _{DD}	Power supply input

Pin Description 2

Pin No.	Symbol	Equivalent circuit
1	CTL	
10	V _{DD}	

DC Bias Condition

(T_a = 25°C)

Item	Min.	Typ.	Max.	Unit
V _{ctl} (H)	2.0	3.0	3.6	V
V _{ctl} (L)	0	—	0.4	V
V _{DD}	2.7	3.0	3.6	V

Electrical Characteristics

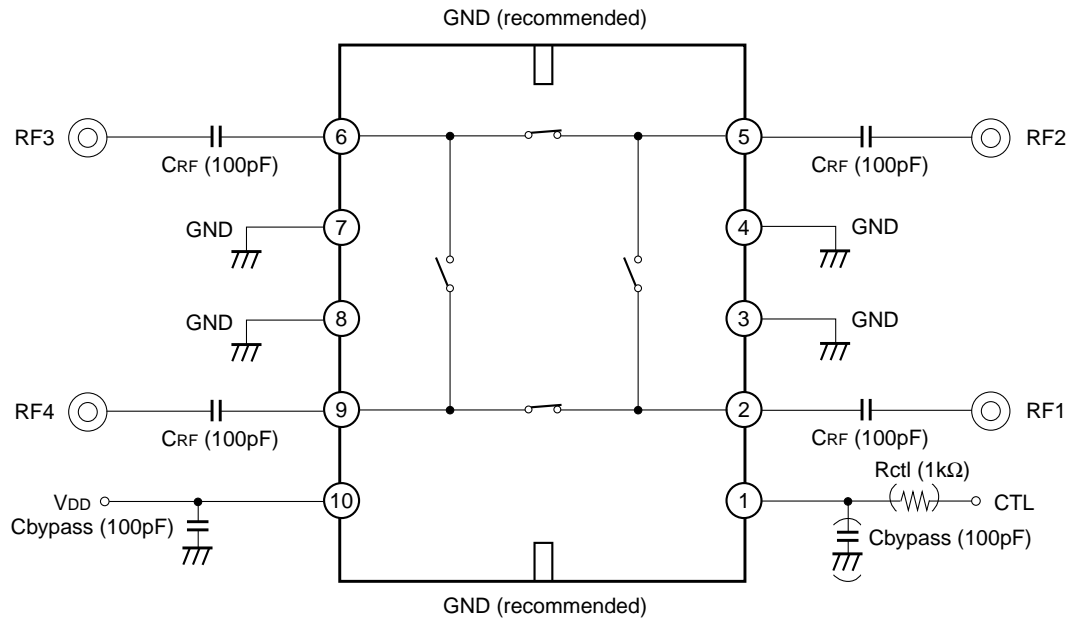
(Ta = 25°C, V_{DD} = 3.0V)

Item	Symbol	Condition	Min.	Typ.	Max.	Unit
Insertion loss	IL	900MHz		0.30	0.55	dB
		1.9GHz		0.45	0.70	dB
Isolation	ISO.	900MHz	18	21		dB
		1.9GHz	14	16		dB
VSWR	VSWR	50Ω		1.2		—
Harmonics	2fo	*1		-75	-60	dBc
		*3		-75	-60	dBc
	3fo	*1		-75	-60	dBc
		*3		-75	-60	dBc
Input IP3	IIP3	*2	55	65		dBm
		*4	55	65		dBm
1dB compression input power	P1dB	V _{DD} = 2.8V	32	35		dBm
Switching speed	TSW			1	5	μs
Bias current	I _{DD}	V _{DD} = 3.0V		55	200	μA
Control current	I _{ctl}	V _{ctl} (H) = 3V		40	100	μA

Condition

*1 Pin = 25dBm, 0/3V control, V_{DD} = 3.0V, 900MHz*2 Pin = 25dBm (900MHz) +25dBm (901MHz), 0/3V control, V_{DD} = 3.0V*3 Pin = 25dBm, 0/3V control, V_{DD} = 3.0V, 1.9GHz*4 Pin = 25dBm (1.9GHz) +25dBm (1.901GHz), 0/3V control, V_{DD} = 3.0V

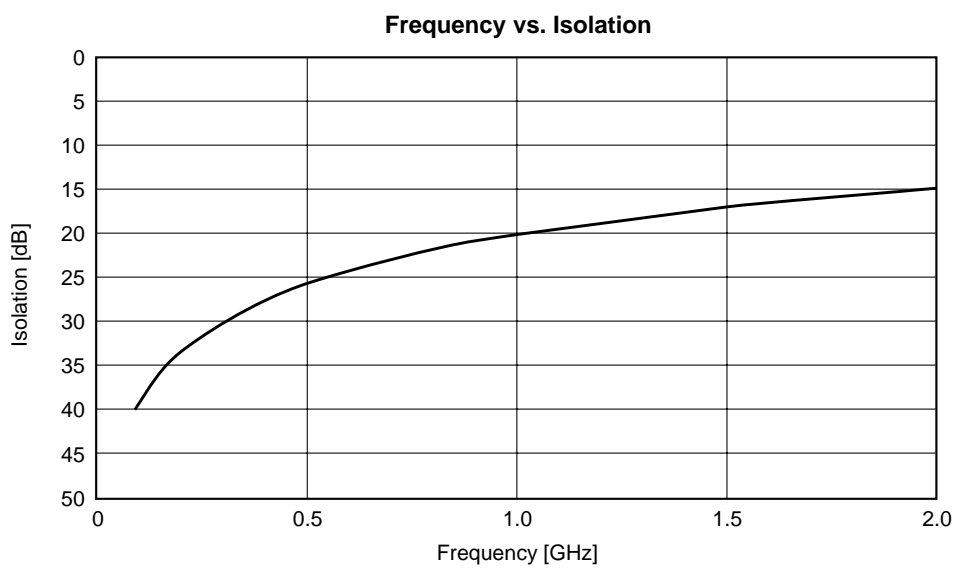
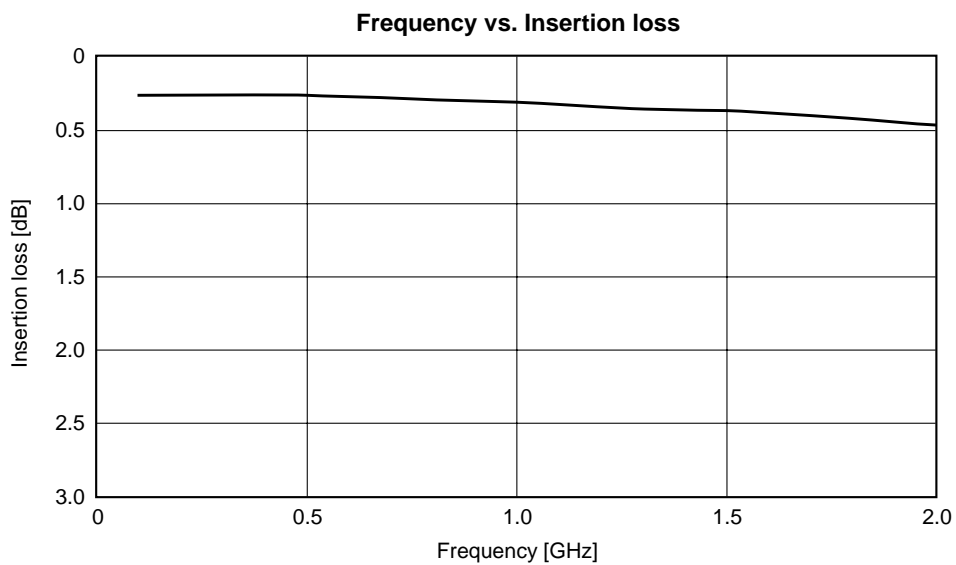
Electrical Characteristics Measurement Circuit



When using this IC, the following external components should be used:

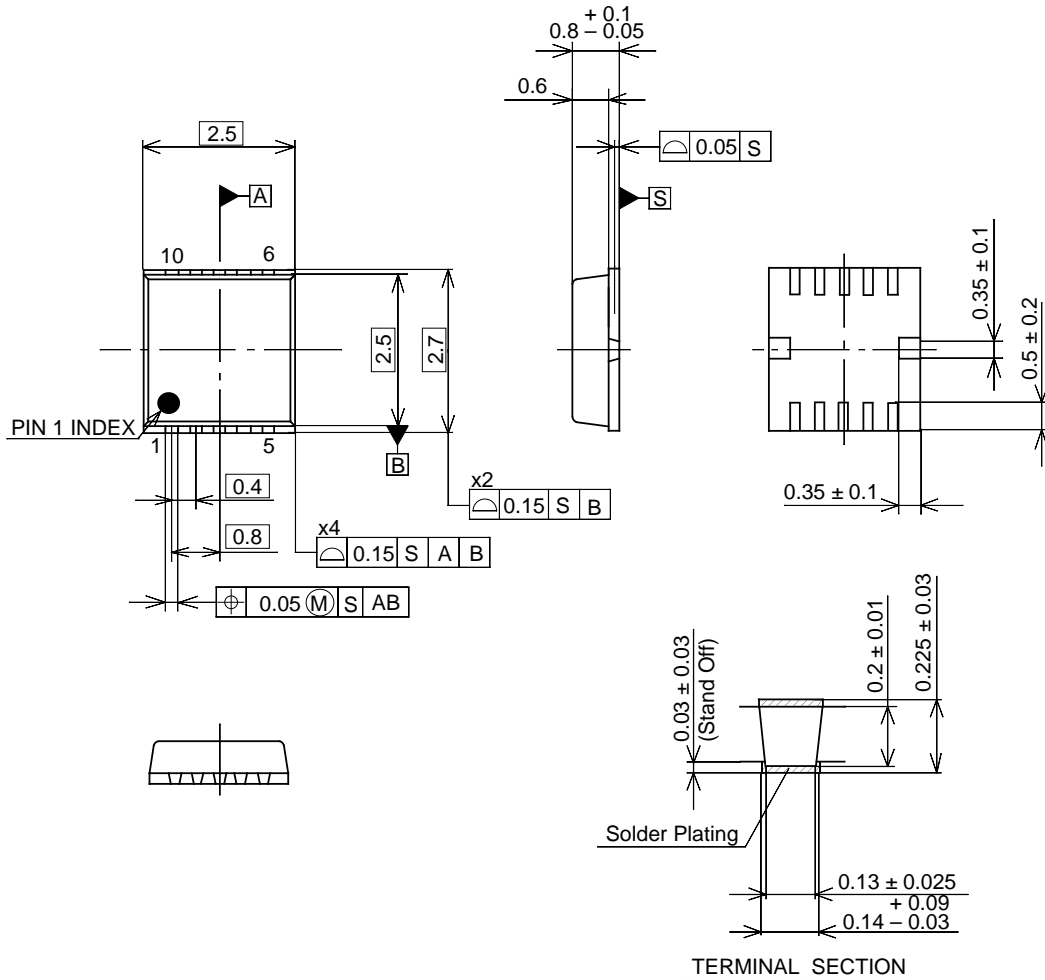
- Rctl: This resistor is used to improve ESD performance. 1kΩ is recommended.
- CRF: This capacitor is used for RF de-coupling and must be used for all applications. 100pF is recommended.
- Cbypass: This capacitor is used for DC line filtering. 100pF is recommended.

Typical Characteristics



Package Outline Unit: mm

10PIN VSON(PLASTIC)



NOTE: 1) The dimensions of the terminal section apply to the ranges of 0.1mm and 0.25mm from the end of a terminal.

PACKAGE STRUCTURE

PACKAGE MATERIAL	EPOXY RESIN
LEAD TREATMENT	SOLDER PLATING
LEAD MATERIAL	COPPER ALLOY
PACKAGE MASS	0.013g

LEAD SPECIFICATIONS

ITEM	SPEC.
LEAD MATERIAL	COPPER ALLOY
LEAD TREATMENT	Sn-Bi 2.5%
LEAD TREATMENT THICKNESS	5-18µm