

RoHS-Compliant Small Form Factor Solder-Down Cage

PL-KP1-00-000-06



Key Features

- Compatible with all MSA compliant SFP transceivers and PCB layouts for single and double sided applications
- Enhanced EMI performance at data rates up to and above 4Gbps
- RoHS compliant and lead-free

Applications

- Switch and hub devices
- Mass storage systems interconnect
- Host adapter cards
- Enterprise switch interconnects

The unique lead-free and RoHS-Compliant, pluggable, solder-down cage represents one of JDSU's complementary products to the Small Form Factor Pluggable (SFP) transceivers. Its patented design enables enhanced EMI performance using improved shielding between the cage and bezel. Optimized for use with all transceiver products complying with the SFP multisource agreement (MSA), the cage design allows for low-cost implementation using standard manufacturing processes. Its hardened spring-tempered material, plus excellent material memory characteristics, further provide for consistent transceiver mate/de-mate performance that provides for port flexibility over the life of the system.

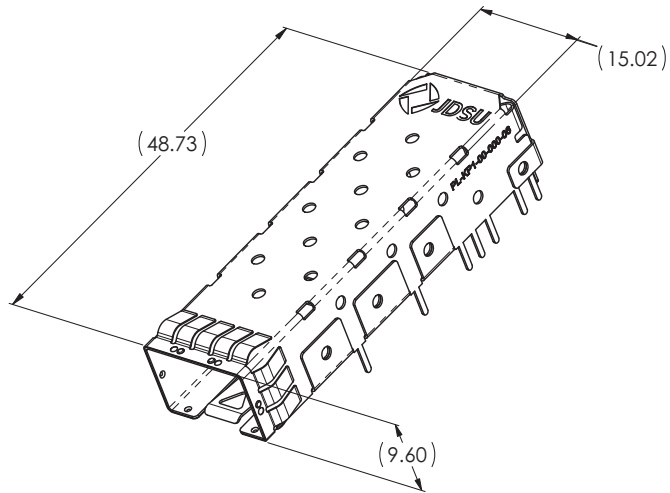
Highlights

- Industry's most robust and sturdy cage design optimized for all SFP applications, including Fibre Channel, Gigabit Ethernet, and SONET
- Enhanced EMI performance due to improved mechanical shielding
- Supports all industry SFP transceivers, using MSA-compliant board layouts and hole sizes for single and double sided applications
- Extensive compatibility testing with industry-wide MSA-based modules for interoperability in multiple vendor implementation
- Backward compatible design offers superior mechanical stability, simplifying implementation to customer PCBs
- Tested for common applications and standard industry processes to allow seamless integration into manufacturing without additional equipment or requirements

2

PL-KP1-00-000-06 Features

- RoHS-compliant and lead-free
- Superior EMI performance at 4Gbps
- Solder-down attachment
- Proven SFP MSA compliant transceiver cage
- Supports MSA compliant board layout and hole sizes
- Supports multiple system configurations
- Robust manufacturing process
- Sturdy construction
- Hardened spring tempered alloy
- Simple assembly
- Utilizes common manufacturing equipment and processes
- 360 degree EMI contact fingers
- Low emission design
- FCC Class B compliant



DIMENSIONS IN MILLIMETERS

The PL-KP1-00-000-06 solder-down cage accommodates all MSA-compliant SFP transceivers, and is ideally suited for application on printed circuit board (PCB) with a minimum thickness of 0.062 inches.

Section 1 Functional Description

The solder-down Cage is designed in compliance with the Small Form Factor Pluggable (SFP) Transceiver Multisource Agreement (MSA). See Figure 1.

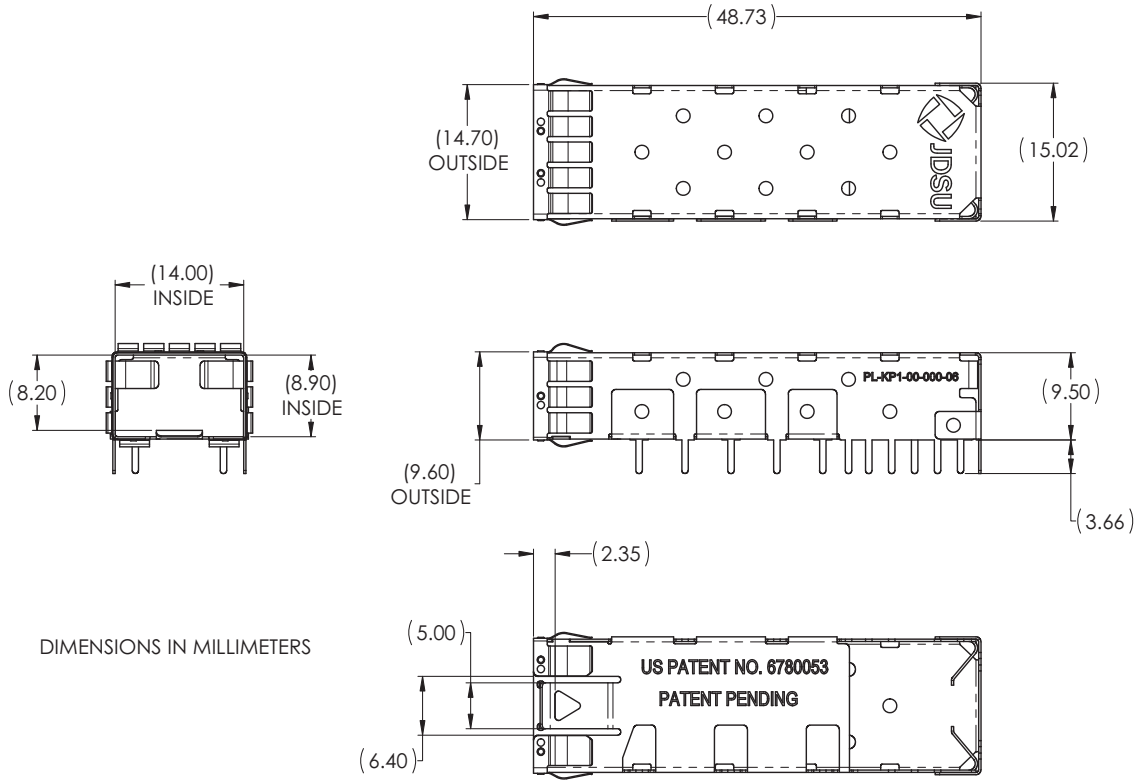


Figure 1 Standard solder-down cage mechanical drawing (PL-KP1-00-000-06)

Section 2 Recommended OEM PCB Layouts

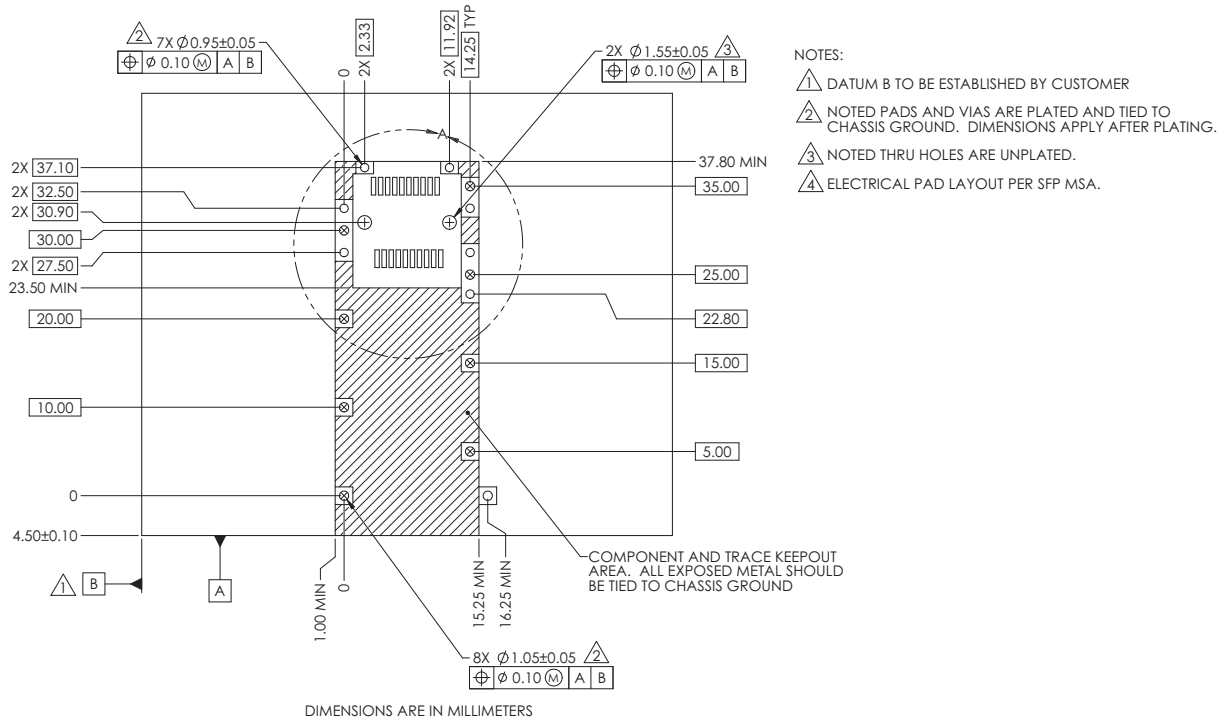


Figure 2 Board layout

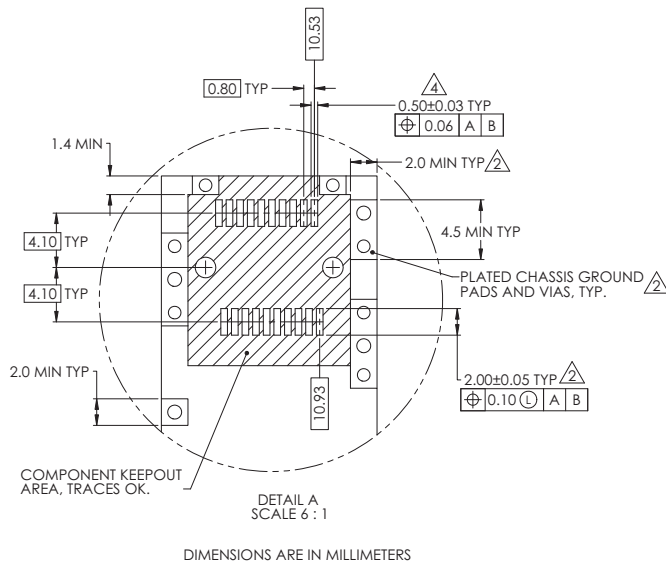


Figure 3 Detail board layout

5

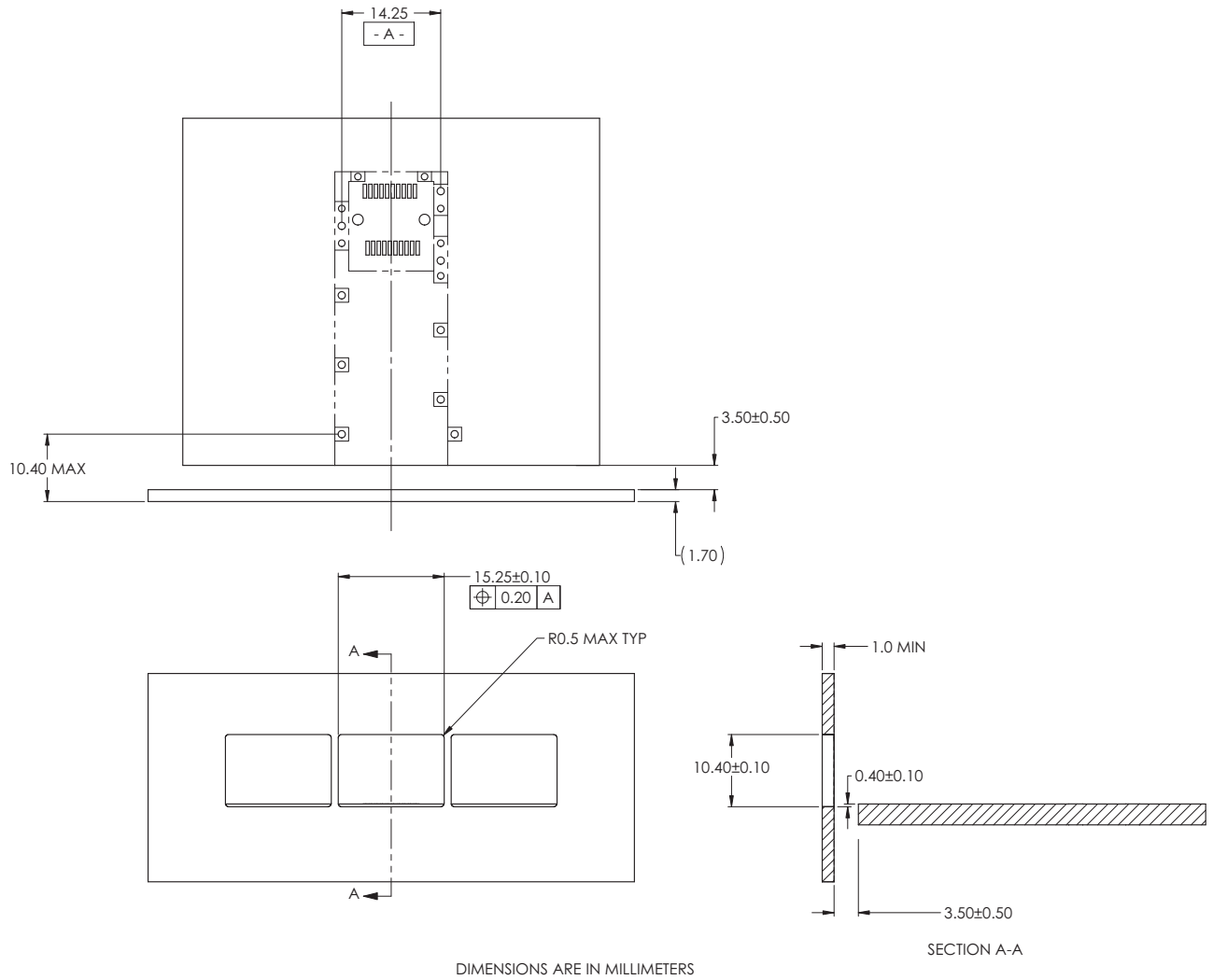


Figure 4 Recommended panel cut-out and PCB offset

Section 3 Package and Handling Instructions

The PL-KP1-00-000-06 is packaged in card board boxes. Each box has 10 layers of cages. Each layer consists of 35 cages in plastic clamshell trays. There are 350 cages per box.

Flammability

The PL-KP1-00-000-06 solder-down cage is made from Alloy 770 sheet metal with a tin-plated BeCu EMI collar welded on.

RoHS Compliance

Compliant per the Directive 2002/95/EC of the European Parliament and of the Council of 27 January 2003 on the restriction of the use of certain hazardous substances in electrical and electronic equipment

Order Information

For more information on this or other products and their availability, please contact your local JDSU account manager or JDSU directly at 1-800-498-JDSU (5378) in North America and +800-5378-JDSU worldwide or via e-mail at customer.service@jdsu.com.

Sample: PL-KP1-00-000-06

Part Number	Description
PL-KP1-00-000-06	Solder-down Cage, Standard Application