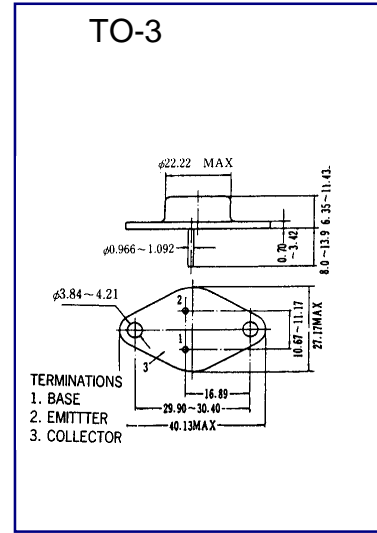




**BU526A**

**NPN SILICON TRANSISTOR**

**SWITCHING REGULATORS PWM INVERTERS  
SOLENOID AND RELAY DRIVERS**



**ABSOLUTE MAXIMUM RATINGS ( $T_a=25^\circ\text{C}$ )**

Characteristic	Symbol	Rating	Unit
Collector-Base Voltage	VCBO	400	V
Collector-Emitter Voltage	VCEO	400	V
Collector Current (DC)	IC	8	A
Collector Dissipation ( $T_c=25^\circ\text{C}$ )	PC	86	W
Junction Temperature	$T_j$	150	$^\circ\text{C}$
Storage Temperature	$T_{stg}$	-50~150	$^\circ\text{C}$

**ELECTRICAL CHARACTERISTICS ( $T_a=25^\circ\text{C}$ )**

Characteristic	Symbol	Test Condition	Min	Typ	Max	Unit
Collector Cutoff Current	ICBO	VCB= 400V , IE=0			10	$\mu\text{A}$
Collector Cutoff Current	ICEO	VCB=400V , IB=0			10	$\mu\text{A}$
DC Current Gain	hFE	VCE=5V , IC=1A	15		25	
Collector- Emitter Saturation Voltage	VCE(sat)	IC=3A , IB=0.3A			2.5	V