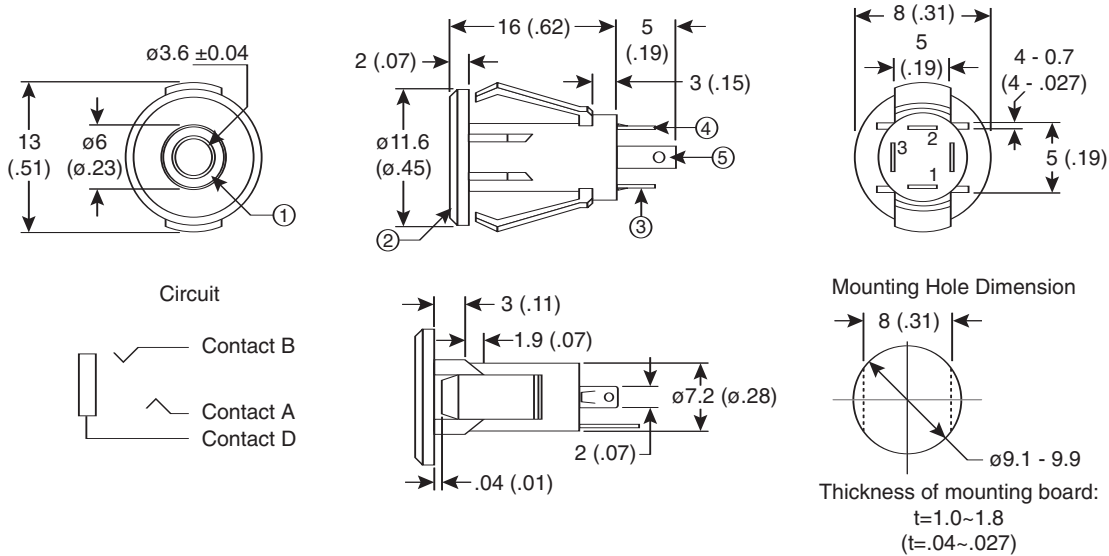


3 Conductor Mini Stereo Jack 3.5 ϕ -3

161-073SP



3 Conductor Mini Stereo Jack 3.5 ϕ - 3



Part	Material	Finish
Contact D	BSR t=0.3	Ni
Contact B	FAB-EH t=0.25	Au
Contact A	FAB-EH t=0.25	Ni
Body	PA 66	
Metal	BSBM	Au

Dimensions: mm (In.)

SPECIFICATIONS	
Dielectric strength	500VAC for one minute
Contact Resistance:	50m Ω max.
Insulation Resistance:	100M Ω min. @ 500VDC

Date Last Revised: 3-21-05

Available from Mouser Electronics
1-800-346-6873
www.mouser.com

KC-300239

161-073SP