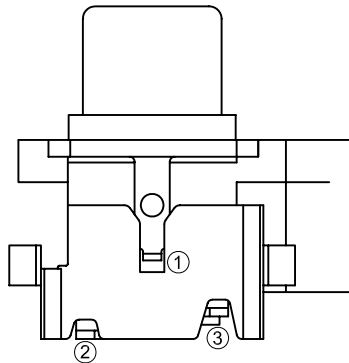
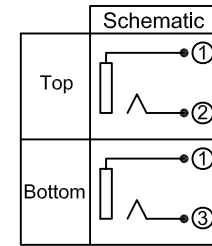
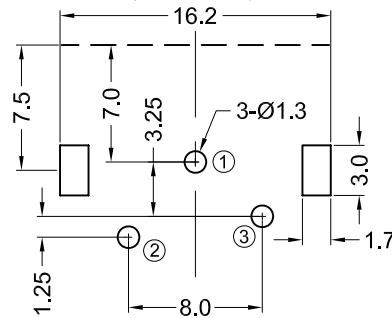


**Materials and Finish**

Housing: PBT UL 94V-0  
 Color: Black  
 Barrel: Brass  
 Plating: Nickel Plated  
 Terminals: Brass  
 Plating: Tin Plated  
 ground pin: Nickel Plated  
 Operating Temp:  
 -25°C to +70°C



Recommended PCB Layout  
(Bottom View)



Part Number	Top Jack Color	Bottom Jack Color
KLP42X-60-W/R	white	red
KLP42X-60-R/W	red	white
KLP42X-60-Y/Y	yellow	yellow
KLP42X-60-B/B	black	black
KLP42X-60-R/R	red	red
KLP42X-60-W/W	white	white
KLP42X-60-W/B	white	black

**RoHS COMPLIANT**  
 EU Directive 2002/95/EC

Tolerances
X.X ± 0.25
X.XX ± 0.15
Unless Stated Otherwise

REV.	DATE	DESCRIPTION	REV. BY	CHK. BY	DRAWN BY	DATE
A1	6/27/05	New Drawing	N.Chang	C. Furumasu	N.Chang	6/27/05
A2	4/7/06	Release Drawing	H. MA	N/A		
A3	4/26/06	ECO#06-030	H. MA	C. Furumasu		
A4	03/12/08	ECO #08-020	R. Aguirre	H. Ma		
A5	05/27/10	Add Color Option	S. Vien	H. MA		

**KLP42X-60-x/x**

Stacked RCA Jack , Right Angle  
 PCB Mount, RoHS Compliant

