

UNCONTROLLED DOCUMENT

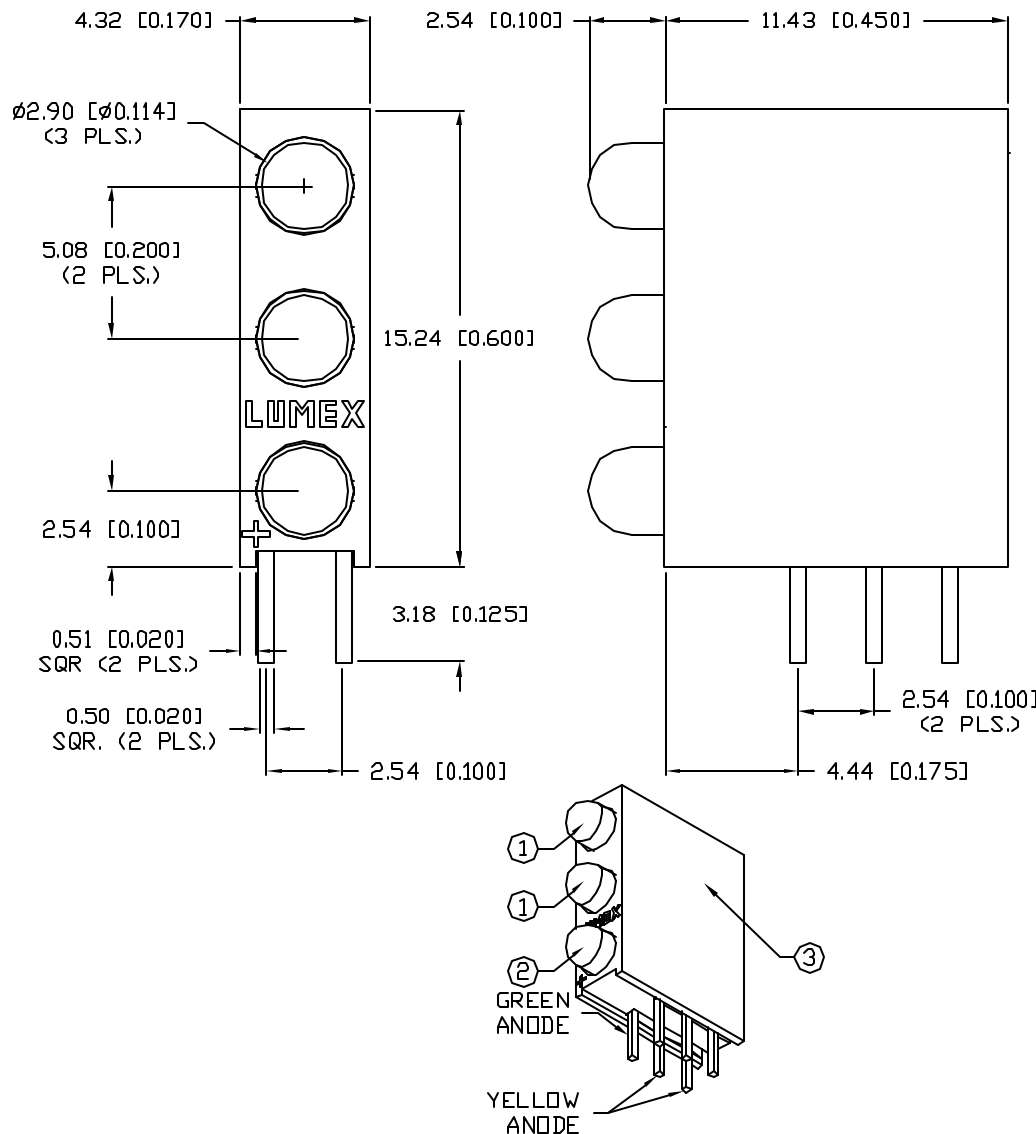
SC:0.25

PART NUMBER

REV.

SSF-LXH340YYGD

PRELIMINARY IN P/N DIR



ELECTRO-OPTICAL CHARACTERISTICS $T_A=25^\circ\text{C}$ $I_f=20\text{mA}$

PARAMETER	YELLOW	GREEN	UNITS	TEST COND
PEAK WAVELENGTH	585	565	nm	
FORWARD VOLTAGE (TYP.)	2.1	2.2	V _f	
FORWARD VOLTAGE (MAX.)	2.5	2.6	V _f	
REVERSE VOLTAGE	5.0	5.0	V _r	$I_r=100\mu\text{A}$
AXIAL INTENSITY	30	40	mcd	$I_f=20\text{mA}$
VIEWING ANGLE	60	60	2x theta	
LED POSITION:	1~2	3		
EPOXY LENS FINISH: DIFFUSED SAME AS EMITTED COLOR				

LIMITS OF SAFE OPERATION AT 25°C PER DIE

PARAMETER	COLORS	MAX	UNITS
PEAK FORWARD CURRENT*		150	mA
STEADY CURRENT	(Y/G)	30/25	mA
POWER DISSIPATION		105	mW
DERATE FROM 25°C		-1.2	mW/°C
OPERATING, STORAGE TEMP.		-40 TO +85	°C
SOLDERING TEMP.		+260	°C
2.0mm FROM BODY			3 SEC. MAX

* $t < 10\mu\text{s}$

NOTES:

1. SSL-LX3044YD, YELLOW LED. (2 PCS.)
2. SSL-LX3044GD, GREEN LED.
3. SSH-LXH340 HOLDER, BLACK NYLON, 94V-0.

UNCONTROLLED DOCUMENT

*UNLESS OTHERWISE SPECIFIED TOLERANCES PER DECIMAL PRECISION ARE: X=±1 (±0.039), XX=±0.5 (±0.020), XXX=±0.25 (±0.010), XXXX=±0.127 (±0.005), LEAD SIZE=±0.05 (±0.002), LEAD LENGTH=±0.75 (±0.030), MIN= +DECIMAL PRECISION -0.00, MAX.= +0.00 -DECIMAL PRECISION

REV.

PART NUMBER

SSF-LXH340YYGD

CONFIDENTIAL INFORMATION

THE INFORMATION CONTAINED IN THIS DOCUMENT IS THE PROPERTY OF LUMEX INC. EXCEPT AS SPECIFICALLY AUTHORIZED IN WRITING BY LUMEX INC., THE HOLDER OF THIS DOCUMENT SHALL KEEP ALL INFORMATION CONTAINED HEREIN CONFIDENTIAL AND SHALL PROTECT SAME IN WHOLE OR IN PART FROM DISCLOSURE AND DISSEMINATION TO ALL THIRD PARTIES.

RELIABILITY NOTE

OUR MANY YEARS OF EXPERIENCE DATA ACCUMULATION INDICATE THAT SOLDER HEAT IS A MAJOR CAUSE OF EARLY AND FUTURE FAILURE. PLEASE PAY ATTENTION TO YOUR SOLDERING PROCESS.



290 E. HELEN ROAD
PALATINE, IL 60067-6976
PHONE: +1.847.359.2790
US WEB: www.lumex.com
TW WEB: www.lumex.com.tw

T-3mm (T-1) RIGHT ANGLE FAULT INDICATOR HOLDER,
POS. 1,2.: 585nm YELLOW, POS.3: 565nm GREEN,
COLOR DIFFUSED PER POSITION.

DRAWN BY:

CHECKED BY:

APPROVED BY:

DATE: 10.4.02

CT

PAGE: 1 OF 1

SCALE: N/A