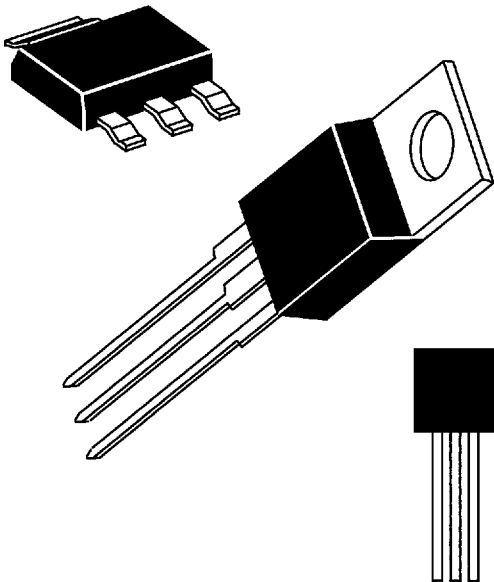


FEATURES

- External components not required
- Heatsink not required
- 2 simple connections
- 1A output current
- Generates no EMI or spikes
- TO-220 and SOT-223 packages
- Drops 5V to 3V, 3.3V, ADJ

DESCRIPTION

The EZ5Z3 voltage converters are innovative 2 terminal devices that accept a regulated 5.0V input and reduce it to 3.0V or 3.3V over a range of 10mA to 1A. The EZ5Z3-ADJ is an adjustable 3 terminal model allowing output voltage trimming.



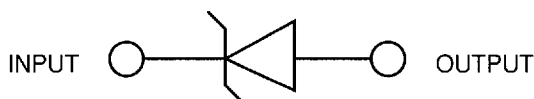
ABSOLUTE MAXIMUM RATINGS

Parameter	Symbol	Minimum	Maximum	Units
Power Dissipation	P_D		2	W
Continuous Current	I_C		1	A
Thermal Resistance Junction to Case TO-220/SOT-223	θ_{JC}		4	$^{\circ}C/W$
Junction to Ambient TO-220/SOT-223	θ_{JA}		50/156	
Operating Temperature Range	T_J	- 40	150	$^{\circ}C$
Storage Temperature Range	T_{STG}	- 65		
Lead Temperature (Soldering, 10 Sec. time limit)	T_{LEAD}		260	

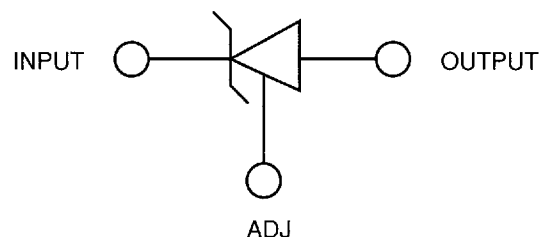
DEVICE SELECTION GUIDE

DEVICE	V_{IN}	V_{OUT}	PACKAGE
EZ5Z3-T3.0	5	3.0	TO-220
EZ5Z3-T3.3		3.3	
EZ5Z3-TADJ		ADJ	
EZ5Z3-S3.0	5	3.0	SOT-223
EZ5Z3-S3.3		3.3	
EZ5Z3-SADJ		ADJ	

BLOCK DIAGRAMS



EZ5Z3-3.0 EZ5Z3-3.3



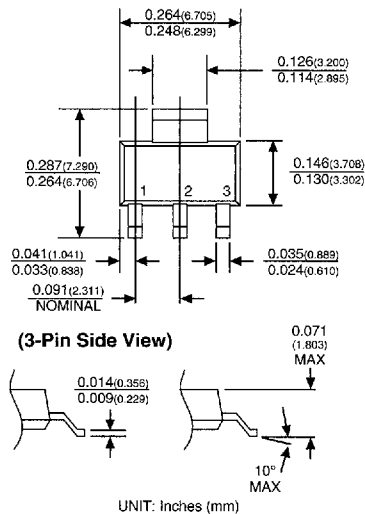
EZ5Z3-ADJ

ELECTRICAL CHARACTERISTICS

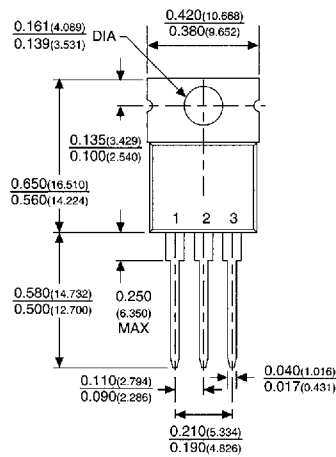
PARAMETER	SYMBOL	Test Conditions			Test Limits			UNITS
		V _{IN}	I _O	T _J	MIN	TYP	MAX	
EZ5Z3L-3.0	V _O	5V	500mA	25°C	2.91	3.00	3.09	V
			10mA to 1A	-40 to 125°C	2.85		3.15	
EZ5Z3L-3.3			500mA	25°C	3.20	3.30	3.39	
			10mA to 1A	-40 to 125°C	3.13		3.46	
EZ5Z3L-ADJ	V _{REF}		500mA	25°C	1.21	1.25	1.28	
			10mA to 1A	-40 to 125°C	1.18		1.31	
Regulation	REG _(LOAD)		25°C		0.5	1.0	% V _O	
Temp.Coefficient	T _C		500mA	25 to 125°C		0.005	0.01	% V _O /°C

DEVICE OUTLINES

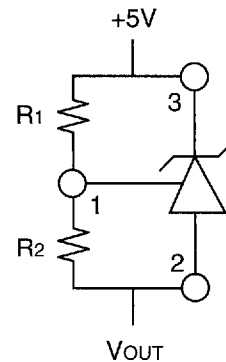
SOT-223



TO-220



ADJUSTING EZ5Z3L-ADJ



$$V_{DROP} = V_{REF}(1 + R_1/R_2)$$

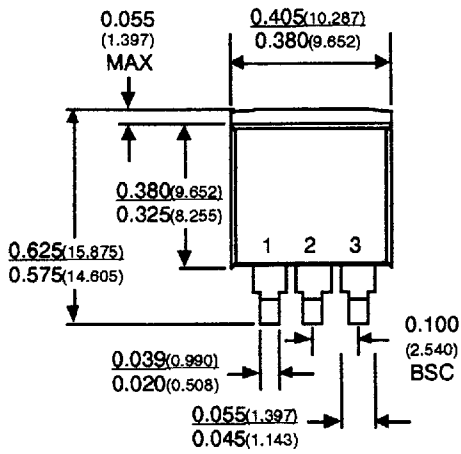
$$V_{OUT} = V_{IN} - V_{DROP}$$

$$R_1 + R_2 \leq \frac{V_{DROP}}{300\mu A}$$

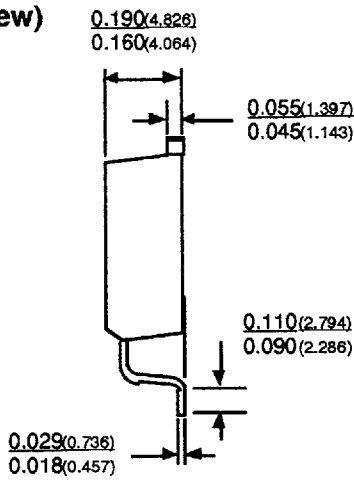
EZ5Z3-3.0 EZ5Z3-3.3 PIN OUT	
PIN	FUNCTION
1	N.C.
2	OUTPUT
3	INPUT
TAB	OUTPUT

EZ5Z3-ADJ PIN OUT	
PIN	FUNCTION
1	ADJ
2	OUTPUT
3	INPUT
TAB	OUTPUT

TO-263



(Side View)



UNIT: Inches (mm)

EZ1086	
PIN	FUNCTION
1	ADJ/GND
2	OUTPUT
3	INPUT
TAB IS OUTPUT	

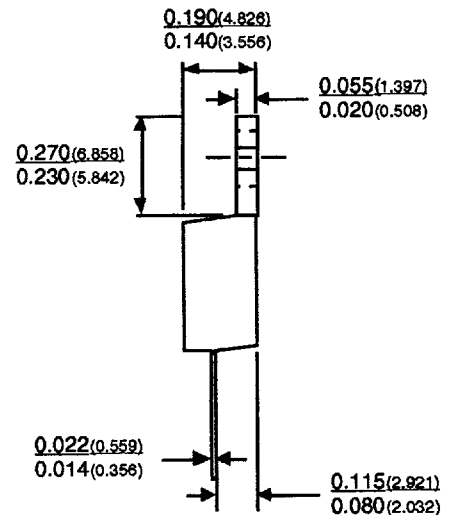
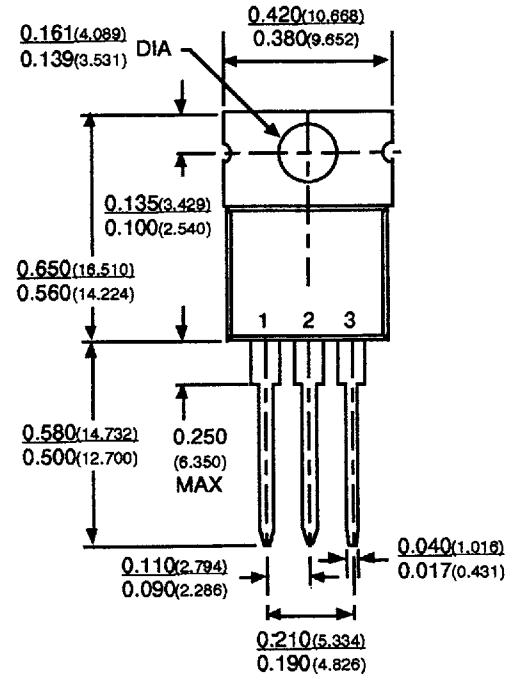
EZ1085	
PIN	FUNCTION
1	ADJ/GND
2	OUTPUT
3	INPUT
TAB IS OUTPUT	

EZ1084	
PIN	FUNCTION
1	ADJ/GND
2	OUTPUT
3	INPUT
TAB IS OUTPUT	

EZ1083	
PIN	FUNCTION
1	ADJ/GND
2	OUTPUT
3	INPUT
TAB IS OUTPUT	

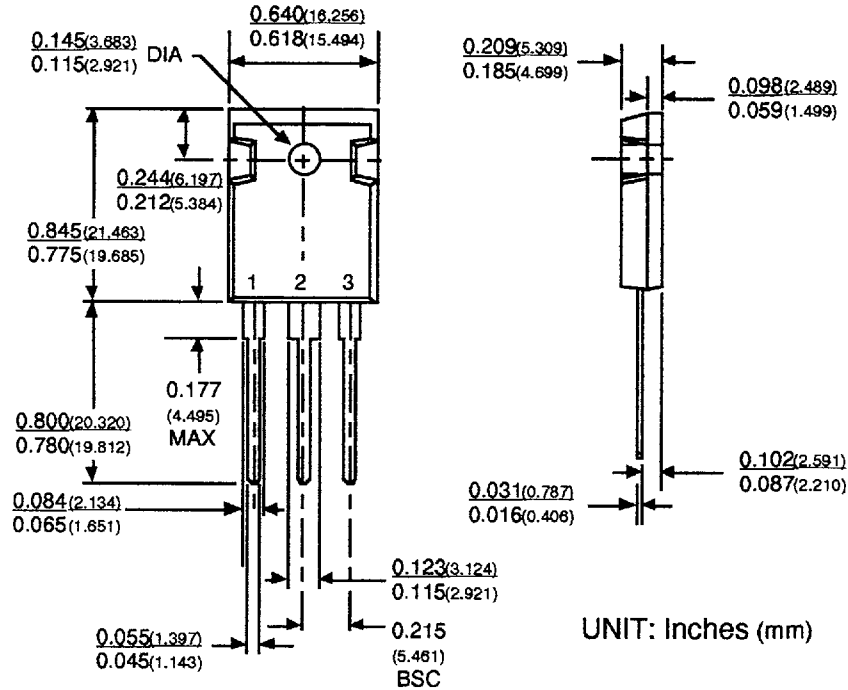
EZ1082	
PIN	FUNCTION
1	ADJ/GND
2	OUTPUT
3	INPUT
TAB IS OUTPUT	

TO-220



UNIT: Inches (mm)

TO-247



EZ1083	
PIN	FUNCTION
1	ADJ/GND
2	OUTPUT
3	INPUT
TAB IS OUTPUT	

EZ1082	
PIN	FUNCTION
1	ADJ/GND
2	OUTPUT
3	INPUT
TAB IS OUTPUT	