

FEATURES

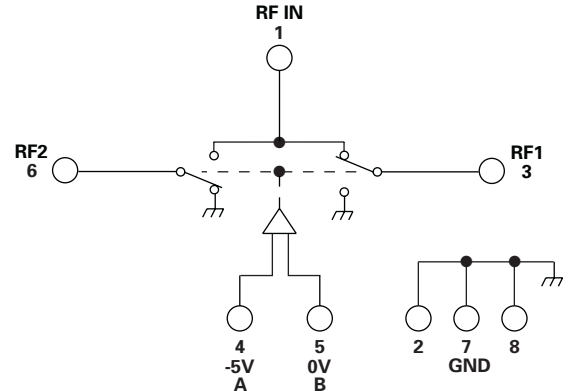
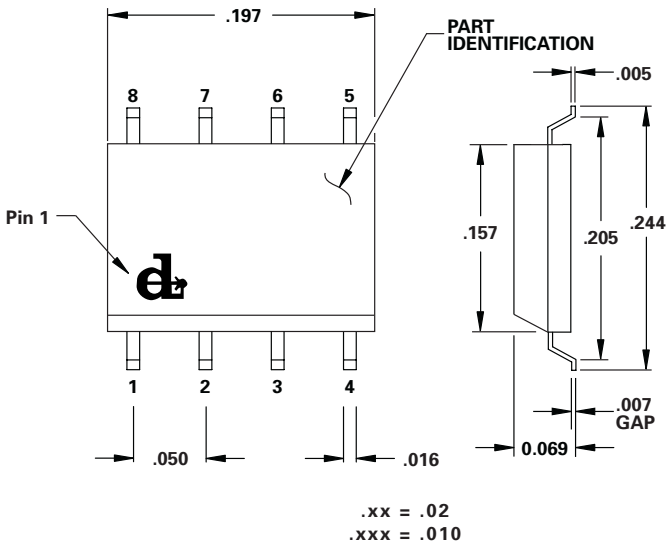
- DC - 2000 MHz
- Reflective
- 0.6 dB I.L., 25 dB Iso.
- 8 Pin Surface Mount Package
- Very Low Cost



**MODEL NO.
DS0702-R**

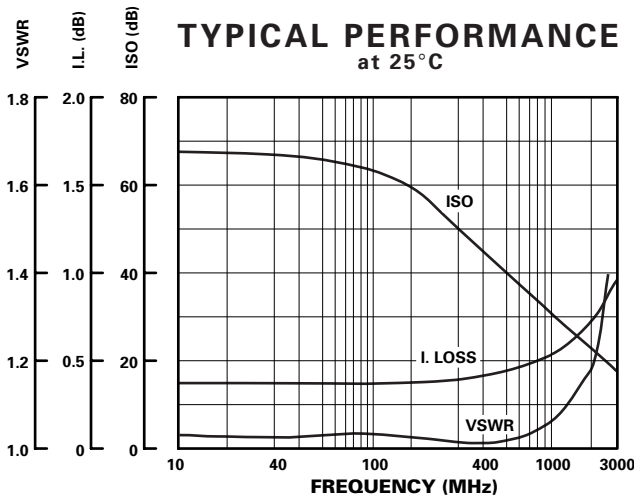
GaAs SP2T

SP2T



| Switching Table | | |
|-----------------|-----|-----------|
| A | B | Function |
| 0V | -5V | RF IN-RF2 |
| -5V | 0V | RF IN-RF1 |

GUARANTEED PERFORMANCE



| Parameter | Min | Typ | Max | Units | Conditions |
|-----------------------------|-----|-------|-------|-------|-----------------|
| Operating Frequency | DC | | 2000 | MHz | |
| Control Voltage | | | | | See Table |
| Insertion Loss | | 0.5 | 0.8 | dB | DC - 1000 MHz |
| | | 0.6 | 0.9 | dB | 1000 - 2000 MHz |
| Isolation | 30 | 35 | | dB | DC - 1000 MHz |
| | 21 | 25 | | dB | 1000 - 2000 MHz |
| VSWR | | 1.1/1 | 1.2/1 | | Input |
| Impedance | | 50 | | OHMS | |
| Transition (Rise/Fall) Time | | | 3 | nSEC | |
| Intercept Points | | 46 | | dBm | 3rd |
| RF Power | | +27 | +23 | dBm | Operate |
| Operating Temperature | -55 | +25 | +85 | °C | TA |
| | | | | | |

Note: A/C Couple Capacitors may be required for your Application