

PLEASE CHECK WWW.MOLEX.COM FOR LATEST PART INFORMATION

Part Number: [0850131225](#)
Status: **Active**
Overview: [din_41612](#)
Description: 2.54mm (.100") Pitch DIN 41612 Header, Vertical, C-Pin Press-Fit Style R Reverse, 1µm (40µ") Selective Gold (Au), 96 Circuits, Lead free

Documents:

[Drawing \(PDF\)](#) [RoHS Certificate of Compliance \(PDF\)](#)

Agency Certification

CSA LR19980
 UL E29179

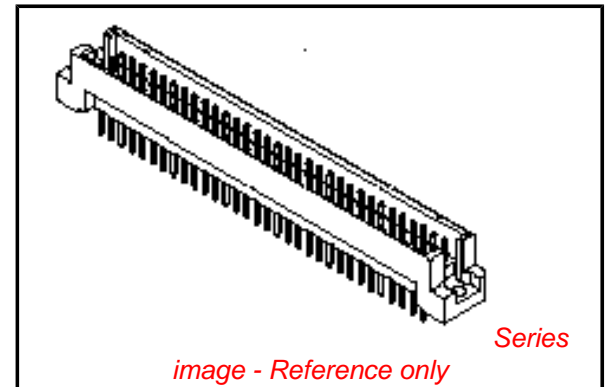
General

Product Family Backplane Connectors
 Series [85013](#)
 Application Daughtercard
 Component Type PCB Header
 Overview [din_41612](#)
 Product Name IEC 603-2/DIN 41612
 Style R

Physical

Circuits (Loaded) 96
 Circuits (maximum) 96
 Circuits Detail Rows A, B, & C
 Color - Resin Gray
 Durability (mating cycles max) 500
 First Mate / Last Break No
 Flammability 94V-0
 Guide to Mating Part No
 Keying to Mating Part Yes
 Material - Metal Phosphor Bronze
 Material - Plating Mating Gold
 Material - Plating Termination Tin
 Material - Resin Polyester
 Number of Columns 32
 Number of Pairs Open Pin Field
 Number of Rows 3
 Orientation Vertical
 PCB Locator No
 PCB Retention Yes
 Packaging Type Tray
 Pitch - Mating Interface (in) 0.100 In
 Pitch - Mating Interface (mm) 2.54 mm
 Pitch - Term. Interface (in) 0.100 In
 Pitch - Term. Interface (mm) 2.54 mm
 Plating min: Mating (µin) 24
 Plating min: Mating (µm) 0.6
 Plating min: Termination (µin) 16
 Plating min: Termination (µm) 0.4
 Surface Mount Compatible (SMC) No
 Temperature Range - Operating -55°C to +125°C
 Termination Interface: Style Through Hole - Compliant Pin

Electrical



EU RoHS

**ELV and RoHS
 Compliant**
REACH SVHC
 Not Reviewed
**Halogen-Free
 Status**
Not Reviewed

China RoHS



**Need more information on product
 environmental compliance?**

Email productcompliance@molex.com
 For a multiple part number RoHS Certificate of
 Compliance, [click here](#)

Please visit the [Contact Us](#) section for any
 non-product compliance questions.

Search Parts in this Series

[85013Series](#)

Mates With

[85042](#) DIN 41612 Receptacle . [85052](#) DIN
 41612 Header

Use With

[85089-1079](#) Press-in Tool

Current - Maximum per Contact	1A
Data Rate	622.0 Mbps
Real Signals (per 25mm)	13
Voltage - Maximum	1000V (RMS)

Material Info

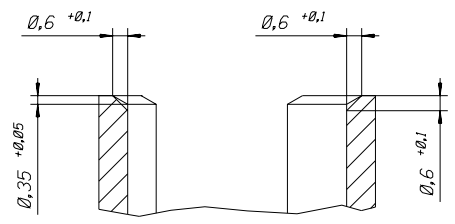
Reference - Drawing Numbers

Packaging Specification	PK-85013-001
Sales Drawing	610-6043-201

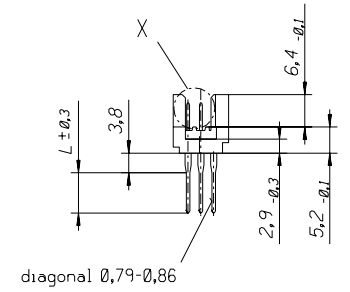
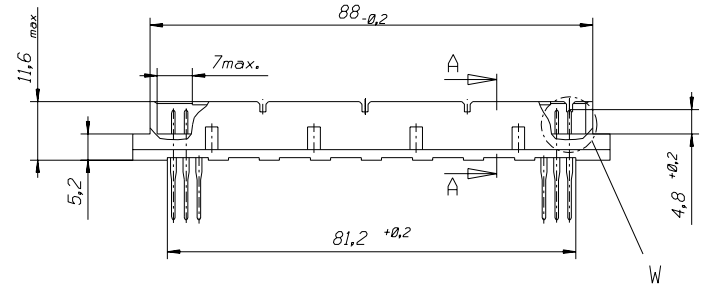
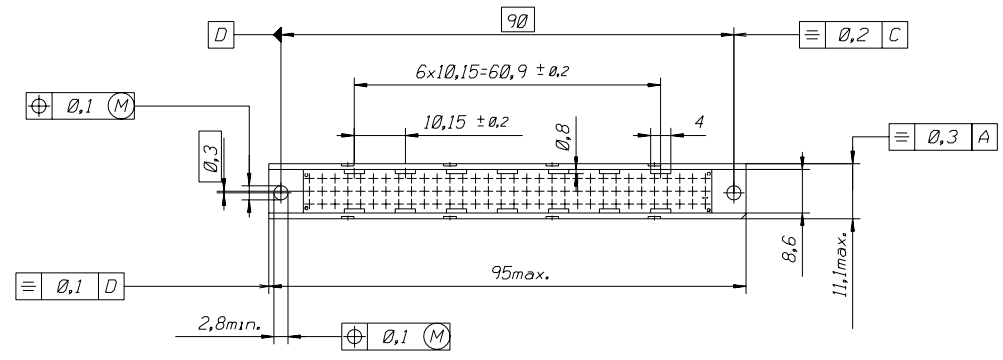
This document was generated on 05/17/2010

PLEASE CHECK WWW.MOLEX.COM FOR LATEST PART INFORMATION

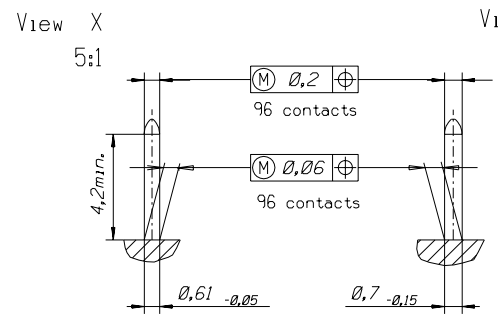
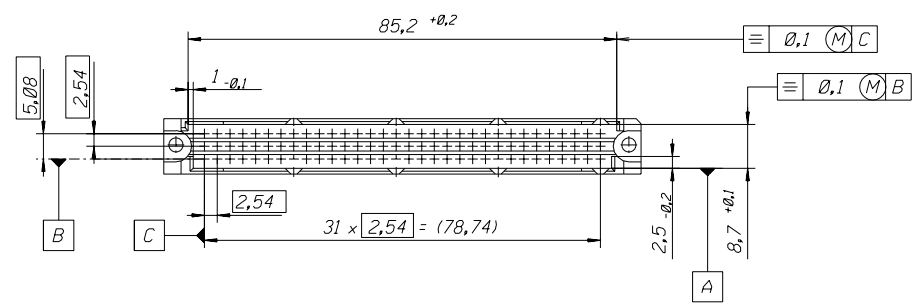
PART NO.
DWG. NO.



section A-A
5:1



diagonal 0,79-0,86



View W
5:1

FIRST ANGLE PROJECTION REVISE ONLY ON CAD SYSTEM SH. REV.

ECN MC2003-0052	WM RELEASE 02-08-15 EF	FOR PREVIOUS REVISIONS SEE IPR LIST	UNLESS OTHERWISE SPECIFIED TOLERANCES: ANGULAR ±2'		DRWG BY Ca	SIGN		
	LTR REVISIONS		INCH METRIC				CHK'D BY KN	SIGN
			3 PLACE ± .	±				
			2 PLACE ± .	±				
1 PLACE ± .	±	APP'D BY	SIGN					
DRAFT WHERE APPLICABLE MUST REMAIN WITHIN DIMENSIONS								
DESIGN DIMENSION	<input checked="" type="checkbox"/> MM			<input type="checkbox"/> IN.				
EQUIVALENT DIMENSION	<input type="checkbox"/> MM			<input type="checkbox"/> IN.				
IF TWO DIMENSIONS ARE SHOWN THE UPPER IS THE DESIGN DIMENSION, LOWER IS SECONDARY			SCALE	1:1				

CAD/CAM PROJECT NAME		SH.	REV.
THIS DRAWING CONTAINS INFORMATION THAT IS PROPRIETARY TO MOLEX INC. & SHOULD NOT BE USED WITHOUT WRITTEN PERMISSION			
TITLE			
96 pos. Male connector DIN 41612 style R (C-Pin) Dimensions			
MOLEX EUROPE		SHEET NO.	DATE
PART NO.		1 OF 3	9/11/28
see sh. no. 2 of 3		DWG NO.	SIZE
610-6043-201		10F3	B