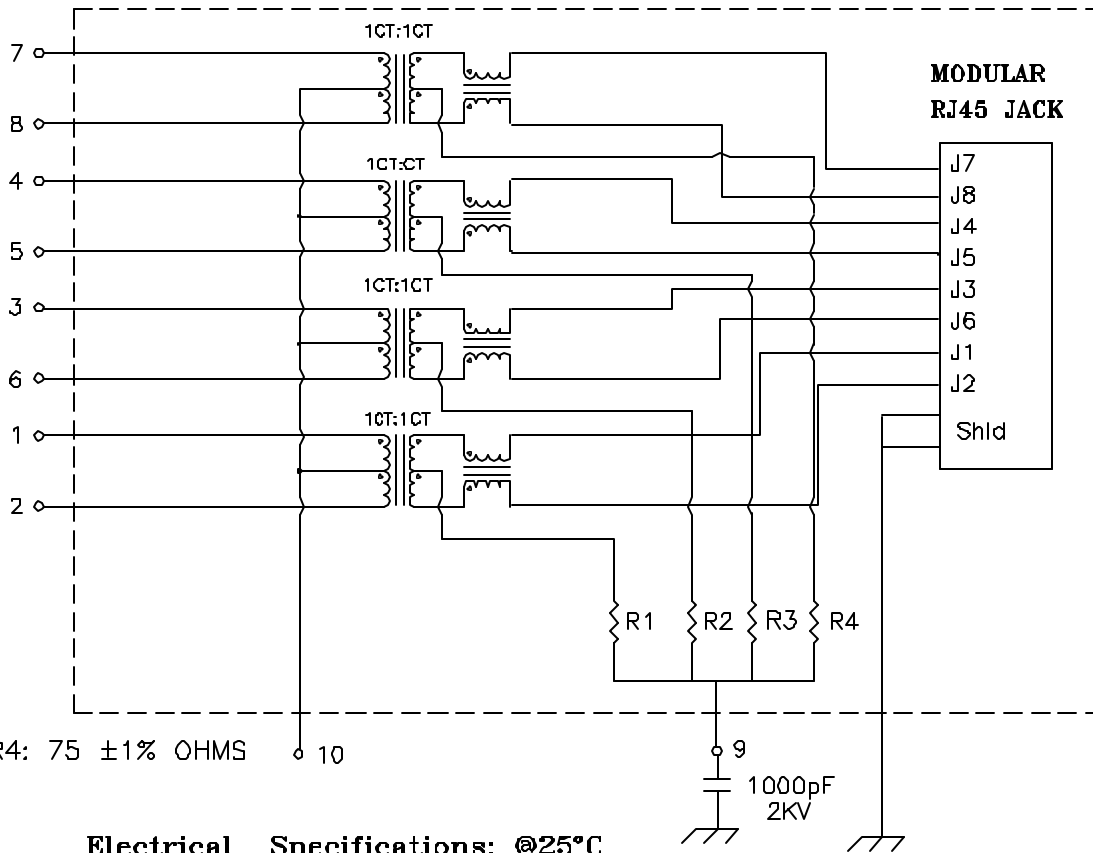


# Schematic: (SINGLE PORT)



R1,R2,R3,R4: 75 ±1% OHMS 10

## Electrical Specifications: @25°C

- ISOLATION: 1500 Vrms
- URNS RATIO: (PRI/SEC) 1CT:1CT ±2%
- OCL: 350uH MIN @100KHz 100mV 8mADC
- Rise Time: 1.75ns Max.
- INSERTION LOSS: -1.0dB MAX @1MHz-100MHz  
-1.5dB MAX @100-125MHz
- RETURN LOSS: -18dB Min @1-30MHz  
-15dB Min @40MHz -13.1dB Min @50MHz  
-12dB Min @60-80MHz -10dB Min @100MHz
- Differential to Common Mode Rejection:  
-43dB Min @30MHz -37dB Min @80MHz  
-33dB Min @100MHz
- CMRR: -30dB Min @1-100MHz
- Crosstalk: -45dB Min @30MHz  
-40dB Min @60MHz -35dB Min @100MHz

### Notes:

1. Solderability: Leads shall meet MIL-STD-202G, Method 208H for solderability.
2. Flammability: UL94V-0
3. ASTM oxygen index: > 28%
4. Insulation System: Class F 155°C. UL file E151556
5. Operating Temperature Range: All listed parameters are to be within tolerance from -4°C to +85°C
6. Storage Temperature Range: -55°C to +125°C
7. Aqueous wash compatible
8. Electrical and mechanical specifications 100% tested
9. RoHS Compliant Component

DOC REV.: A/3

**XFMRs Inc.**  
www.XFMRs.com

Title: SINGLE PORT XLR COMBO

UNLESS OTHERWISE SPECIFIED  
TOLERANCES:

.xxx ±0.010  
Dimensions in Inch

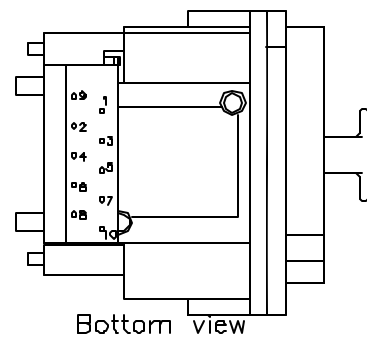
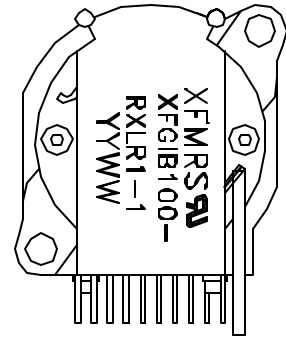
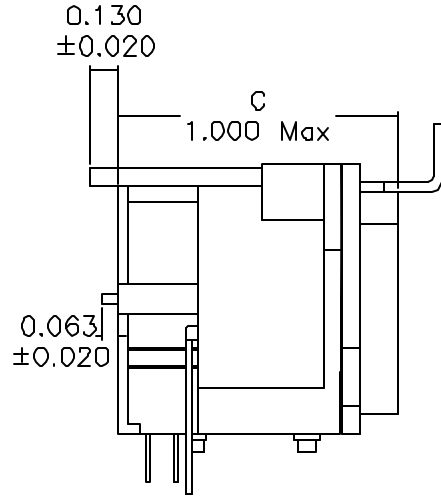
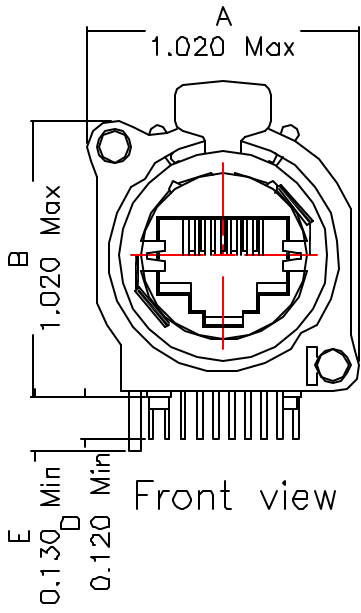
SHEET 1 OF 2

P/N: XFGIB100-RXLR1-1	REV. A
DWN. Juan Mao	Oct-04-07
CHK. YK Liao	Oct-04-07
APP. BW	Oct-04-07

**PROPRIETARY:**

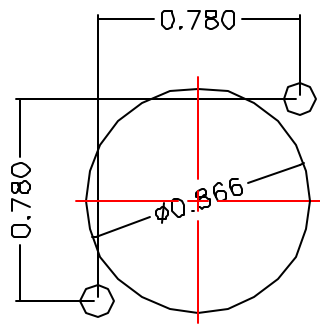
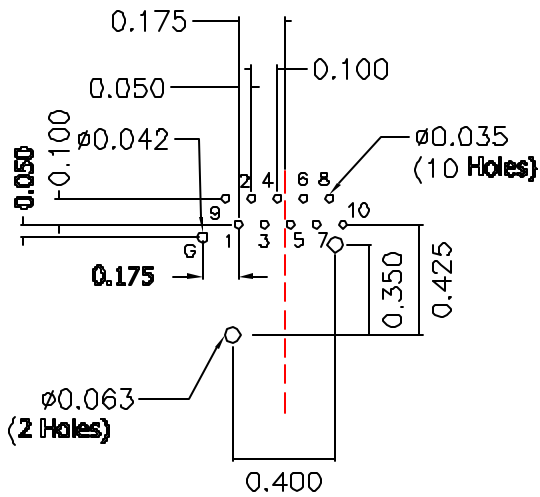
Document is the property of XFMRs Group & is not allowed to be duplicated without authorization.

**Mechanical Dimensions:**



**PRELIMINARY**

**Mounting Pattern:**



Panel cut out(rear side)

SUGGESTED MOUNTING PATTERN (COMPONENT SIDE)

DOC. REV: A/3

<b>XFMRs Inc.</b> www.XFMRs.com	Title: Mechanical Dimensions For RXLR1-1 Series		
	UNLESS OTHERWISE SPECIFIED TOLERANCES: .xxx ±0.010 Dimensions in Inch	P/N: XFGIB100-RXLR1-1	REV. A
	CHK. YK Liao		Oct-04-07
SHEET 2 OF 2	APP. BW		Oct-04-07

**PROPRIETARY:**  
 Document is the property of XFMRs Group & is not allowed to be duplicated without authorization.