

TOLERANCE UNLESS SPECIFIED =

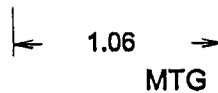
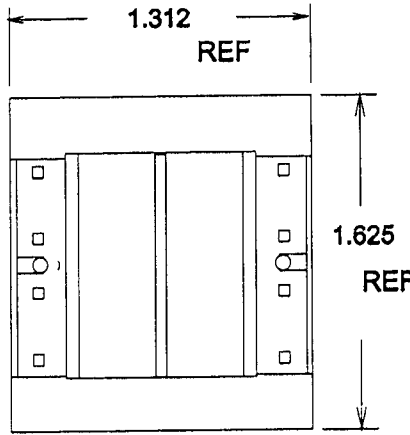
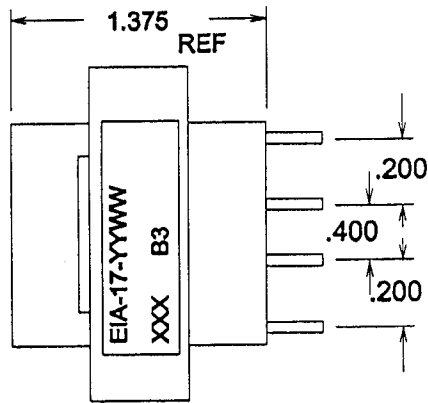
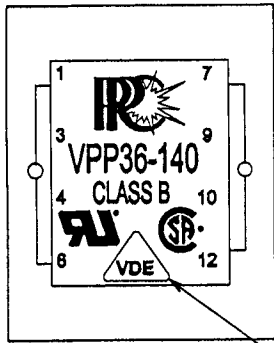
.XXX= +/- .005

.XX= +/- .015

FRACTIONS= +/- .032

# PRODUCTION TESTS

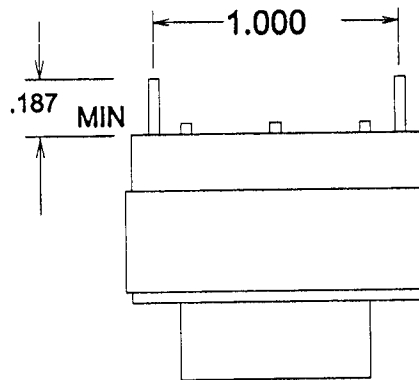
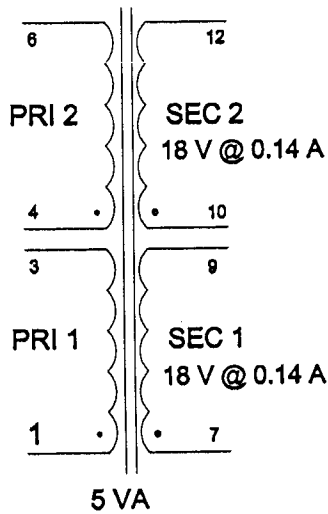
VPP36-140.DC2



ALL MANUFACTURING SITES USE THIS MARK

PC PINS .025 SQ

115/230V  
50/60 HZ



URNS RATIO = 100%

DC RESISTANCE IN OHMS	1-3 =	340 NOM
	4-6 =	408 NOM
	7-9 =	17.5 NOM
	10-12 =	20.5 NOM

MAX EXCITATION CURRENT = .016 A

APPLY 230V 60HZ 1-6 (3+4)

PRI WDGS 114.5 TO 115.5 V

SEC WDGS 23 TO 24.1 V

HIPOT: 4000V P-S  
4000V P,S, TO CORE  
600V P-P, S-S

CONTINUITY = PRI'S 100% IN FINAL  
IMPREGNATION NOTES: PREHEAT 2 HRS  
PINS TO BE FREE OF IMPREGNATION

## FINAL ASSEMBLY NOTES

METHOD 1 X 1  
LEAVE OFF LAST "I" PCS

MARKING SEE LABEL DETAIL ABOVE  
APPLY PART NO. LABEL, AFTER IMPREGNATION



PART NO.: VPP36-140