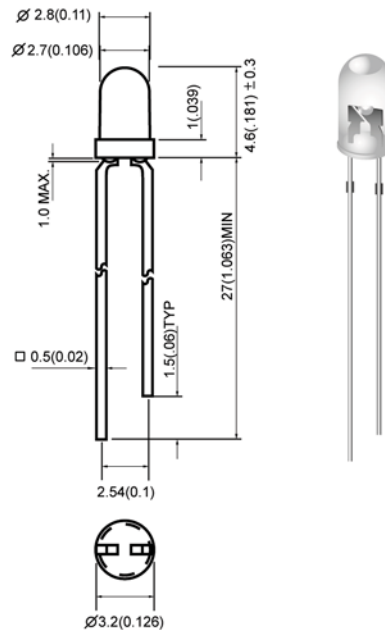


Vimex

PACKAGE DIMENSION INTERNAL CIRCUIT DIAGRAM

KTL030ICI-12V



- * 3mm with Super Green Dice .+ 12V
- * Encapsulated with Water Clear Package.
- * Long Lead Frame.

Absolute Maximum Ratings:

Parameter	Maximum Rating	Unit
Peak forward Current	120	mA
Continous forward Current	30	mA
Operating Temperature Range	-20 C to +75 C	
Storage Temperature Range	-40 C to +100 C	
Lead Solding Temperature	260°C for 5 seconds	

Electro - Optical Characteristics (Ta=25°C)

Parameter	Test Condition	Symbol	Min.	Typ.	Max.	Unit
Forward Voltage	If=70mA	Vf		12		V
Reverse Current	Vr=5V	Vr			100	uA
Luminous Intensity	If=20mA	Iv		1000	1200	mcd
Spectral Bandwidth	If=5mA	$\Delta \lambda$		30		nm
Wavelength	If=20mA	λd		575		nm
Half View Angle	If=20mA	$\theta 1/2$		30		deg