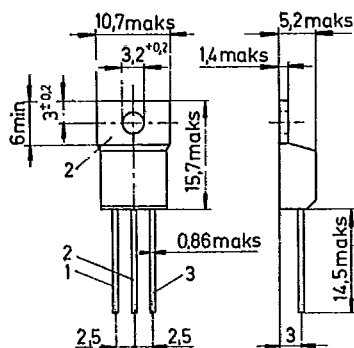


Silicijevi transistori 0,5 A do 15 A
Silicon transistors 0.5 A to 15 A

Tip/Type		U _{CEO}	I _c	P _{tot}	h _{FE} pri/at I _c		f _r	Sl./ Fig.
NPN	PNP	(V)	(A)	(W)	min/maks	(A)	(MHz)	
2N6044	2N6041	80	8	75	1k/10k	4	4	
TIP101	TIP106			80	1k/20k	3	4	
BDX53B	BDX54B			60	750 min	3		
TIP131	TIP136			70	1k/15k	4		
BD899	BD900			70	750 min	3		
BD899A	BD900A			70	750 min	4		
BDX53C	BDX54C	100		60	750 min	3		
TIP132	TIP137			70	1k/15k	4		
BD901	BD902			70	750 min	3		
2N6045	2N6042			75	1k/10k	3	4	
TIP102	TIP107			80	1k/20k	3	4	
MJE15028	MJE15029	120		50	20 min	4	30	
BDX53D	BDX54D			70	750 min	3		
MJE15030	MJE15031	150		50	20 min	4	30	
BU807				60	100 min	5		
BU806		200		60	100 min	5		
MJE13006				80	5/30	5	4	
	MJE5850	350		80	15 min	2		
	MJE5851			80	15 min	2		
MJE13007		400		80	5/30	5	4	
	MJE5852			80	15 min	2		
BUT56A		450		100	15/45	1	10	
D44H1	D45H1	30	10	50	20 min	4		
D44H2	D45H2			50	40 min	4		
D44E1	D45E1	40		50	1000 min	5		
D44H4	D45H4	45		50	20 min	4		
D44H5	D45H5			50	40 min	4		
BDX33	BDX34	60		70	750 min	4	3	
BD805	BD806			90	15 min	4	1,5	
BDX33A	BDX34A			70	750 min	4	3	
BD807	BD808	60		90	15 min	4	1,5	
D44E2	D45E2			50	1000 min	5		
D44H7	D45H7			50	20 min	4		
D44H8	D45H8			50	40 min	4		
	D45H9			50	40 min	4		
MJE3055T	MJE2955T	80		75	20/70	4		
2N6387				65	1k/420k	5	20	
D44E3	D45E3	80		50	1000 min	5		
	D45H12			50	40 min	4		
2N6388	2N6668			65	1k/20k	5	20	
D44H10	D45H10			50	20 min	4	50 typ	
D44H11	D45H11			50	40 min	4	50 typ	
BDX33B	BDX34B			70	750 min	3	3	
BD809	BD810	90	15 min	4	1,5			
BDX33C	BDX34C	100		70	750 min	3	3	
SE9302				70	1k min	4	1	
BDX33D	BDX34D	120		70	750 min	3	3	
BUV26		120	12	85				
BUV27				85				
BUS36				107	30 min	10	30	
BUS37				107	30 min	10	30	
MJE13008				300	6/30	8	4	
MJE13009				400	6/30	8	4	
D44VH1	D45VH1	30	15	83	20 min	4	50 typ	
2N6486	2N6489	40		75	20/150	5	5	
D44VH4	D45VH4	45		83	20 min	4	50 typ	
BDW39	BDW44	60		85	250 min	10	4	
BDW40	BDW45			85	250 min	10	4	
2N6487	2N6490			75	20/150	5	5	
D44VH7	D45VH7	80		83	20 min	4	50 typ	
2N6488	2N6491			75	20/150	5	5	
D44VH10	D45VH10			83	20 min	4	50 typ	
BDW41	BDW46	100		85	250 min	10	4	
BDW42	BDW47			85	250 min	10	4	
BDW43	BDW48	120		85	250 min	10	4	

60

- 1 Baza/Base
- 2 Kolektor/Collector
- 3 Emitor/Emitter



Sl./Fig. 60