

PLEASE CHECK WWW.MOLEX.COM FOR LATEST PART INFORMATION

Part Number: [0352110710](#)
Status: **Active**
Overview: [kk](#)
Description: 2.50mm (.098") Pitch KK® Board-to-Board Receptacle, Right Angle, Mates With 3022-NB and 35327, 7 Circuits

Documents:

[3D Model](#) [Product Specification PS-35211-001 \(PDF\)](#)
[Drawing \(PDF\)](#) [RoHS Certificate of Compliance \(PDF\)](#)

Agency Certification

CSA LR19980
 UL E29179

General

Product Family PCB Receptacles
 Series [35211](#)
 Application Board-to-Board
 Overview [kk](#)
 Product Name KK®

Physical

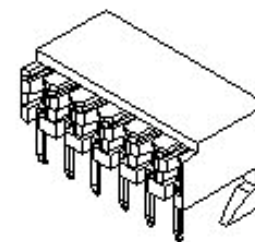
Circuits (Loaded) 7
 Circuits (maximum) 7
 Color - Resin Natural
 Durability (mating cycles max) 30
 Flammability 94V-0
 Glow-Wire Compliant No
 Guide to Mating Part No
 Keying to Mating Part None
 Lock to Mating Part No
 Material - Metal Phosphor Bronze
 Material - Plating Mating Tin
 Material - Plating Termination Tin
 Material - Resin Nylon
 Number of Rows 1
 Orientation Right Angle
 PCB Locator No
 PCB Retention Yes
 PCB Thickness Recommended (in) 0.062 In
 PCB Thickness Recommended (mm) 1.60 mm
 Packaging Type Bag
 Pitch - Mating Interface (in) 0.098 In
 Pitch - Mating Interface (mm) 2.50 mm
 Polarized to PCB Yes
 Surface Mount Compatible (SMC) No
 Temperature Range - Operating -40°C to +105°C
 Termination Interface: Style Through Hole

Electrical

Current - Maximum per Contact 3A
 Grounding to PCB No
 Voltage - Maximum 250V

Material Info

Reference - Drawing Numbers



Series

image - Reference only

EU RoHS

ELV and RoHS Compliant
REACH SVHC Contains SVHC: No
Halogen-Free Status
Not Reviewed

China RoHS



Need more information on product environmental compliance?

Email productcompliance@molex.com
 For a multiple part number RoHS Certificate of Compliance, [click here](#)

Please visit the [Contact Us](#) section for any non-product compliance questions.

Search Parts in this Series

[35211Series](#)

Mates With

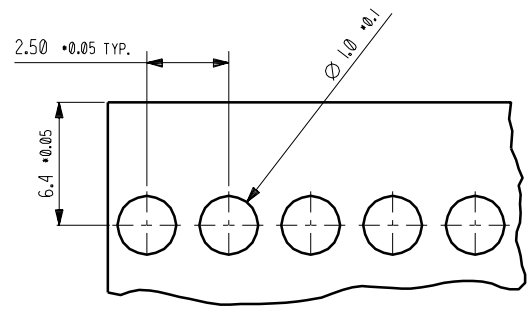
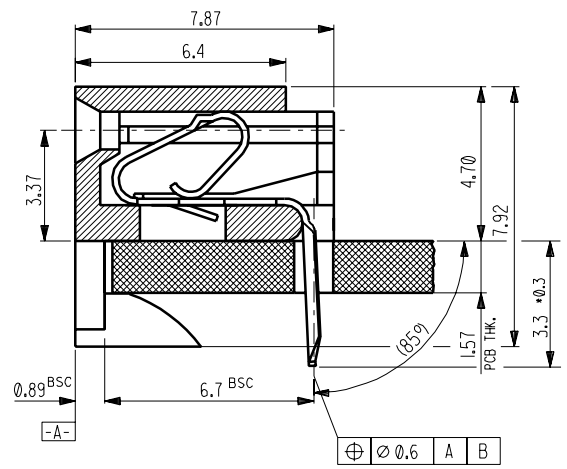
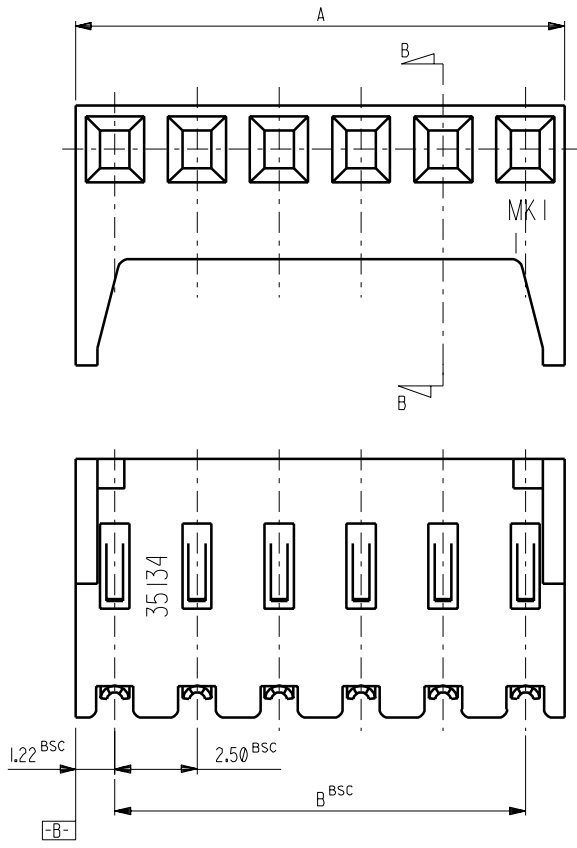
[3022-NB](#) , [35327](#)

This document was generated on 06/07/2010

PLEASE CHECK WWW.MOLEX.COM FOR LATEST PART INFORMATION

DO NOT SCALE DRAWING DIMENSION IN METRIC

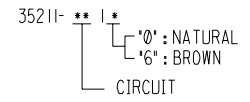
PROJECT NO. SIMILAR ITEM EDP NO. 352II-***I* ENG. NO. 352II-***I* SD 352II-***I*



NOTE

1. MATERIAL
 HOUSING --- NYLON 66 UL94V-0
 TERMINAL --- PHOSPHOR BRONZE

LEGEND



ENG.NO.	△	CKT.SIZE	DIM.A	DIM.B
352II - 02I*		2	4.94	2.50
- 03I*		3	7.44	5.00
- 04I*		4	9.94	7.50
- 05I*		5	12.44	10.00
- 06I*		6	14.94	12.50
- 07I*		7	17.44	15.00
- 08I*		8	19.94	17.50
- 09I*		9	22.44	20.00
- 10I*		10	24.94	22.50
- 11I*		11	27.44	25.00
- 12I*		12	29.94	27.50
- 13I*		13	32.44	30.00
- 14I*		14	34.94	32.50
- 15I*		15	37.44	35.00
- 16I*		16	39.94	37.50
- 17I*		17	42.44	40.00
- 18I*		18	44.94	42.50
- 19I*		19	47.44	45.00
352II - 20I*		20	49.94	47.50

PCB LAY OUT

LTR		REVISION RECORD	ECN	DR/CHK	DATE	DIE FEED	APPL FEED	WBDW	IBDW	APP'D BY	SCALE	WIRE RANGE AWG:	GENERAL TOLERANCES DIM. : 0.20 ANGLE : 2°	MOLEX MOLEX-KOREA CO.,LTD.	
D	REVISED	95- 123	95	11/17								MM²: ±	REVISE ONLY ON CAD SYSTEM		
C	REVISED	92- 025	92	7/06								MM²: ±	TITLE: KK.2.5 BOARD TO BOARD SIDE ENTRY ASS'Y		
B	RELEASED	92- 088	92	2/24								INSULATION RANGE	ENG.NO. SD 352II-***I* REV D		
A	NEW RELEASED	91- 0014	91	9.16									SD 352II-***I*		
I	TEMPORARY RELEASED												SD 352II-***I*		