

**PLEASE CHECK WWW.MOLEX.COM FOR LATEST PART INFORMATION**

**Part Number:** [0877940001](#)  
**Status:** **Active**  
**Description:** 2.50mm (.098") / 3.00mm (.118") Pitch Wire-to Board Receptacle Housing with Fuse, with Bottom Flange, 16 Circuits

**Documents:**

[Drawing \(PDF\)](#) [RoHS Certificate of Compliance \(PDF\)](#)  
[Product Specification PS-87527-001 \(PDF\)](#)

**General**

Product Family	Crimp Housings
Series	<a href="#">87794</a>
Product Name	N/A

**Physical**

Circuits (maximum)	16
Color - Resin	Black
Gender	Female
Glow-Wire Compliant	No
Lock to Mating Part	Yes
Material - Resin	Polyphenylene Ether Alloy
Number of Rows	2
Packaging Type	Bag
Panel Mount	No
Pitch - Mating Interface (in)	0.098 In, 0.118 In
Pitch - Mating Interface (mm)	2.50 mm, 3.00 mm
Polarized to Mating Part	Yes
Stackable	No
Temperature Range - Operating	-40°C to +105°C

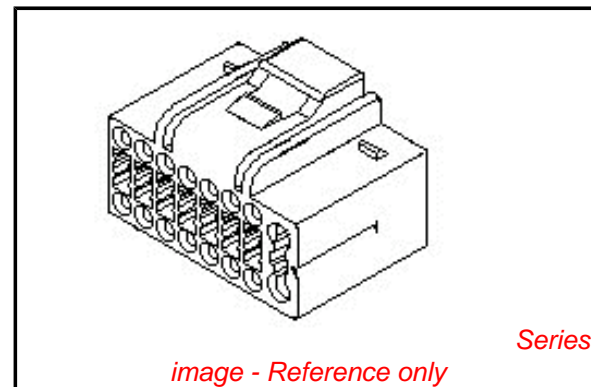
**Electrical**

Current - Maximum per Contact	10A
-------------------------------	-----

**Material Info**

**Reference - Drawing Numbers**

Product Specification	PS-87527-001
Sales Drawing	SD-87794-001



**EU RoHS**

**ELV and RoHS Compliant**  
**REACH SVHC Contains SVHC: No**  
**Halogen-Free Status**  
**Not Reviewed**

**China RoHS**



**Need more information on product environmental compliance?**

Email [productcompliance@molex.com](mailto:productcompliance@molex.com)  
 For a multiple part number RoHS Certificate of Compliance, [click here](#)

Please visit the [Contact Us](#) section for any non-product compliance questions.

**Search Parts in this Series**

[87794Series](#)

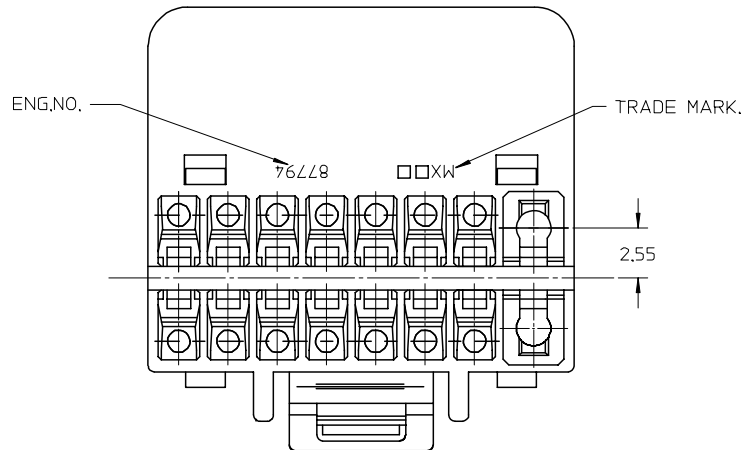
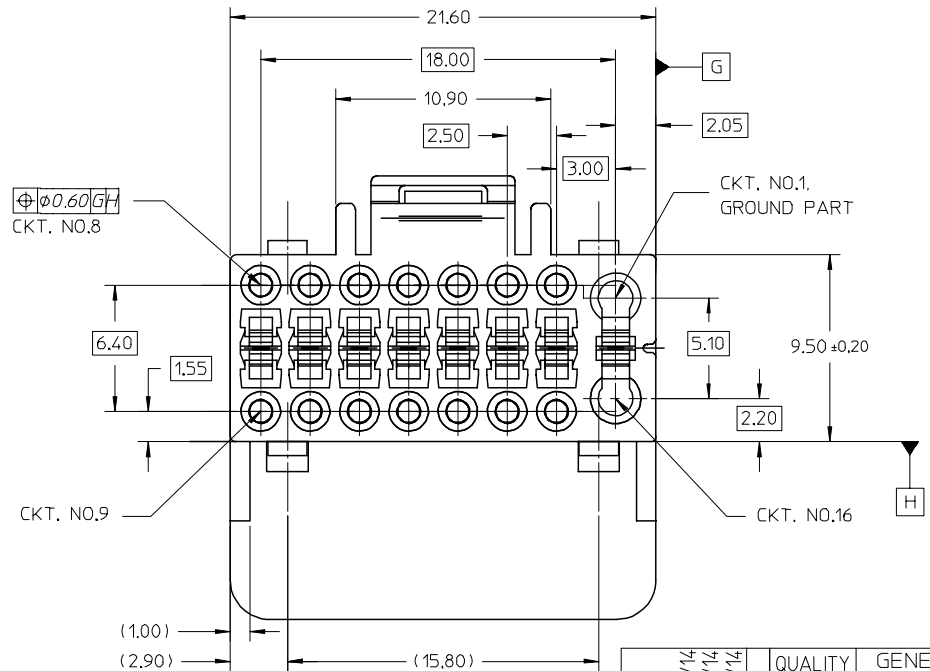
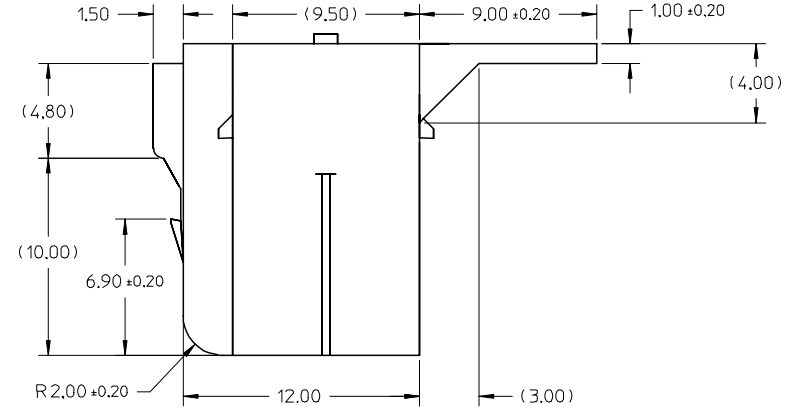
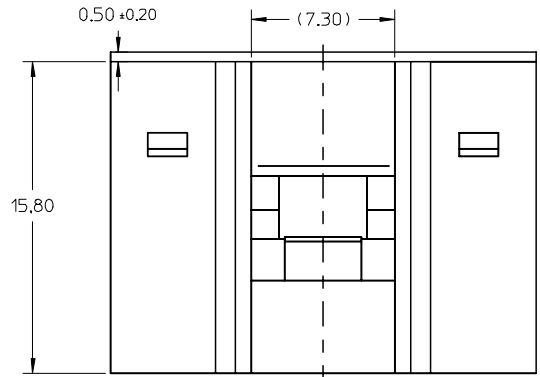
**Mates With**

[53526](#) Wire-to-Board Header

**Use With**

[50350-9001](#) Crimp Terminals, [50535-9001](#) Crimp Terminals

P/N	CKT SIZE
87794-0001	16



NOTES :

1. MATERIAL : PPE/ PA NORYL.
2. ACCEPTABLE TERMINAL : 50350-9\*01. 50535-9\*01.
3. MATES WITH : 87527.

EC NO: S2004-0004	2003/11/14
DRWN: ATSEE	2003/11/14
CHKD: KCLING	2003/11/14
APPR: SKTOH	2003/11/14
REV	DESCRIPTION
A	

QUALITY SYMBOLS	
▽ = 0	
∇ = 0	

GENERAL TOLERANCES (UNLESS SPECIFIED)	
4 PLACES ± ---	± ---
3 PLACES ± ---	± ---
2 PLACES ± 0.25	± ---
1 PLACE ± ---	± ---
ANGULAR ± 3 °	
DRAFT WHERE APPLICABLE	
MUST REMAIN WITHIN DIMENSIONS	

SCALE 1:1	DESIGN UNITS METRIC
DIMENSION STYLE MM ONLY	
DRAWN BY ATSEE	DATE 2003/07/02
CHECKED BY KCLING	DATE 2003/11/12
APPROVED BY SKTOH	DATE 2003/11/12

THIRD ANGLE PROJECTION	REVISE ON CAD ONLY
TITLE 2.5/3.0 W/B CONN.W/FUSE RECEPTACLE HOUSING (BOTTOM FLANGE)	
MOLEX INCORPORATED	
MATERIAL NO. SEE TABLE	DOCUMENT NO. SD-87794-001
SHEET NO. 1 OF 1	
THIS DRAWING CONTAINS INFORMATION THAT IS PROPRIETARY TO MOLEX INCORPORATED AND SHOULD NOT BE USED WITHOUT WRITTEN PERMISSION	