

PLEASE CHECK WWW.MOLEX.COM FOR LATEST PART INFORMATION

Part Number: [0678390002](#)
Status: **Active**
Description: 2.00mm (.079") Pitch IEEE 1394 Shielded I/O Socket, Right Angle, Flat Dip, Lead Free

Documents:

[3D Model](#) [Product Specification PS-67839-002 \(PDF\)](#)
[Drawing \(PDF\)](#) [RoHS Certificate of Compliance \(PDF\)](#)

General

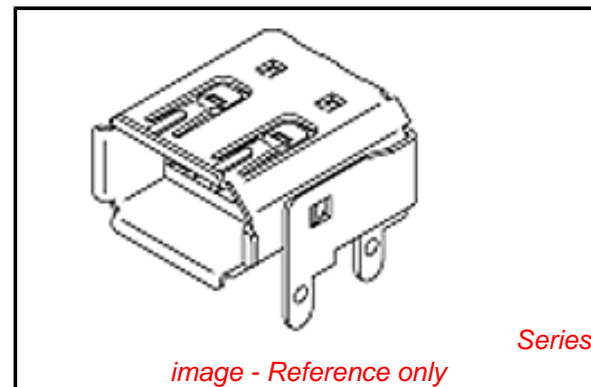
Product Family	I/O Connectors
Series	67839
Application	Wire-to-Board
Component Type	Receptacle
Product Name	IEEE 1394
Type	N/A

Physical

Boot Color	N/A
Circuits (Loaded)	6
Circuits (maximum)	6
Durability (mating cycles max)	750
Gender	Female
Lock to Mating Part	Yes
Material - Plating Mating	Gold
Material - Plating Termination	Tin
Number of Rows	2
Orientation	Right Angle
PC Tail Length (in)	0.118 In
PC Tail Length (mm)	3.00 mm
PCB Locator	Yes
PCB Retention	Yes
PCB Thickness Recommended (in)	0.063 In
PCB Thickness Recommended (mm)	1.60 mm
Packaging Type	Tray
Panel Mount	No
Pitch - Mating Interface (in)	0.078 In
Pitch - Mating Interface (mm)	2.00 mm
Pitch - Term. Interface (in)	0.078 In
Pitch - Term. Interface (mm)	2.00 mm
Plating min: Mating (µin)	30
Plating min: Mating (µm)	0.76
Plating min: Termination (µin)	120
Plating min: Termination (µm)	3.00
Polarized to Mating Part	Yes
Polarized to PCB	Yes
Ports	1
Surface Mount Compatible (SMC)	No
Temperature Range - Operating	0°C to +50°C
Termination Interface: Style	Through Hole
Waterproof / Dustproof	No
Wire Size AWG	N/A

Electrical

Current - Maximum per Contact	0.5A
Shield Type	Full Shield
Shielded	Yes



EU RoHS

**ELV and RoHS
Compliant**
REACH SVHC
 Not Reviewed
**Halogen-Free
Status**
Not Reviewed

China RoHS



**Need more information on product
environmental compliance?**

Email productcompliance@molex.com
 For a multiple part number RoHS Certificate of
 Compliance, [click here](#)

Please visit the [Contact Us](#) section for any
 non-product compliance questions.

Search Parts in this Series

[67839Series](#)

Mates With

[IEEE1394 6Pin Plug](#)

Voltage - Maximum

30V DC

Material Info

Reference - Drawing Numbers

Product Specification

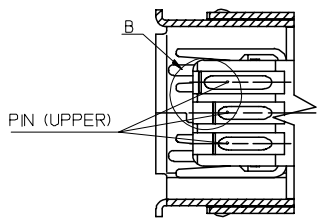
PS-67839-002

Sales Drawing

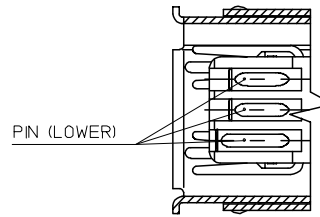
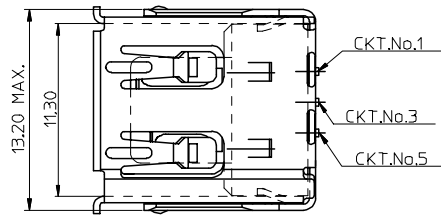
SD-67839-002

This document was generated on 04/02/2010

PLEASE CHECK WWW.MOLEX.COM FOR LATEST PART INFORMATION

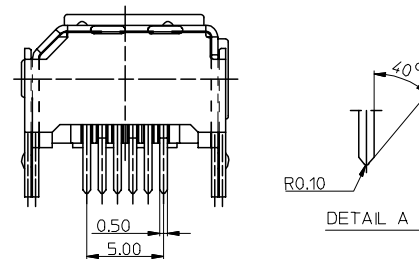
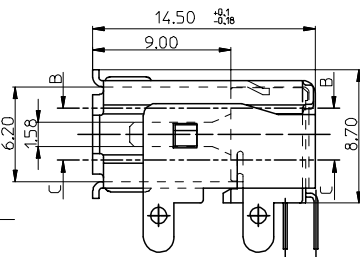
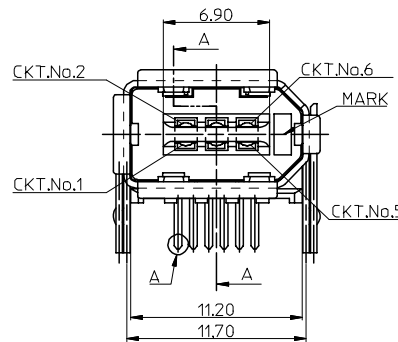


SEC B-B

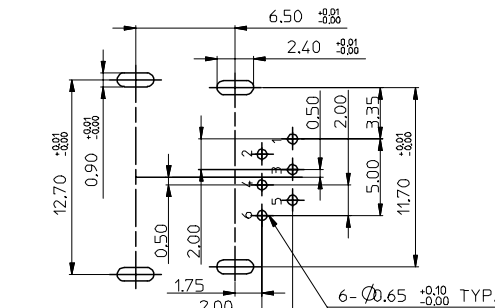


SEC C-C

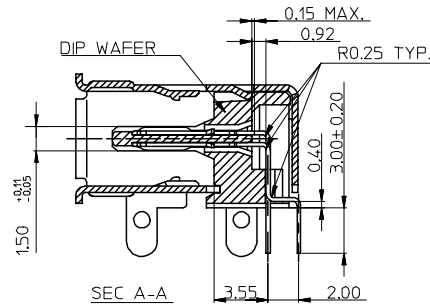
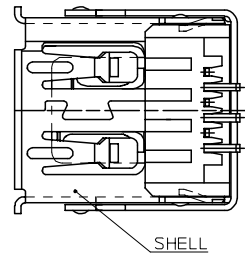
NOTE:
 1.MATERIAL:
 HOUSING: POLYAMIDE, GLASS FIBER REINFORCED,
 UL94-V0, COLOR: BLACK.
 TERMINAL: BRASS.
 METAL SHELL: PHOSPHOR BRONZE.
 2.PLATING:
 TERMINAL:
 CONTACT AREA: GOLD (Au),
 THICKNESS=30 MICROINCH MINIMUM.
 SOLDER TAIL: TIN(Sn),
 THICKNESS=120 MICROINCH MINIMUM.
 UNDER PLATE: NICKEL(Ni) OVERALL.
 SURFACE APPEARANCE: BRIGHT.
 METAL SHELL:
 NON IR REFLOW PROCESS:
 TIN(Sn), THICKNESS=80 MICROINCH MINIMUM.
 UNDER PLATE:
 NICKEL (Ni) OVERALL.
 SURFACE APPEARANCE: BRIGHT.
 3.PRODUCT SPECIFICATION: REFER TO PS-67839-002
 4.PACKAGING SPECIFICATION: REFER TO PK-67839-002
 5.TEST SUMMARY: REFER TO TS-67839-002
 6.LEAD FREE AND ROHS COMPLIANCE PRODUCT



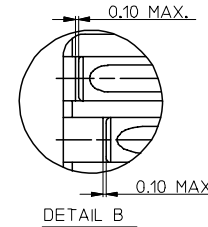
DETAIL A



P.C. BOARD HOLE DIM
(COMPONENT SIDE)



SEC A-A



DETAIL B

LEAD FREE FOR 67839 EC NO: SH2006-0516 DRWN: ALL IN 2006/05/15 CHKD: 2006/05/15 APPR: WMSCHANG 2006/05/17	QUALITY SYMBOLS	GENERAL TOLERANCES (UNLESS SPECIFIED)		DIMENSION STYLE MM ONLY		SCALE	DESIGN UNITS METRIC	THIRD ANGLE PROJECTION	
	 	mm	INCH	DRAWN BY	DATE	TITLE			
		4 PLACES ± ---	± ---	IVY LIN	2006/04/10	2.0 I/O CONNECTOR SOCKET RIGHT ANGLE FLAT DIP (LEAD FREE VERSION)			
		3 PLACES ± ---	± ---	CHECKED BY	DATE				
		2 PLACES ± 0.25	± ---	ALLEN LIN	2006/04/11	MOLEX INCORPORATED			
	1 PLACE ± 0.25	± ---	APPROVED BY	DATE					
	ANGULAR ± 3 °	DRAFT WHERE APPLICABLE MUST REMAIN WITHIN DIMENSIONS		WILSON CHANG	2006/04/11	MATERIAL NO. 67839-0002	DOCUMENT NO. SD-67839-002	SHEET NO. 1 OF 1	
		THIS DRAWING CONTAINS INFORMATION THAT IS PROPRIETARY TO MOLEX INCORPORATED AND SHOULD NOT BE USED WITHOUT WRITTEN PERMISSION							