

PLEASE CHECK WWW.MOLEX.COM FOR LATEST PART INFORMATION

Part Number: [0505417225](#)
Status: **Active**
Description: Ring Tongue Terminal for 1/0 AWG, Closed Uninsulated Brazed Barrel, Stud Size M10, Oxygen-Free Copper, Length 49.70mm (1.957")

Documents:

[Drawing \(PDF\)](#) [RoHS Certificate of Compliance \(PDF\)](#)
[Product Specification PS-50541-002 \(PDF\)](#)

General

| | |
|-------------------------|--------------------------|
| Product Family | Ring and Spade Terminals |
| Series | 50541 |
| Crimp Quality Equipment | Yes |
| Mil-Spec | N/A |
| Product Name | R (Ring) |
| Type | Ring |

Physical

| | |
|---------------------------|-----------------|
| Barrel Type | Closed - Brazed |
| Insulation | None |
| Material - Plating Mating | Tin |
| Packaging Type | Bag |
| Stud Size | M10 |
| Wire Size AWG | 1 |
| Wire Size mm ² | 42.42 - 60.57 |

Material Info

Reference - Drawing Numbers

| | |
|-----------------------|--------------|
| Product Specification | PS-50541-002 |
| Sales Drawing | SD-50541-001 |



image - Reference only

Series

EU RoHS

ELV and RoHS Compliant

REACH SVHC

Not Reviewed

Halogen-Free

Status

Not Reviewed

China RoHS



Need more information on product environmental compliance?

Email productcompliance@molex.com
 For a multiple part number RoHS Certificate of Compliance, [click here](#)

Please visit the [Contact Us](#) section for any non-product compliance questions.

Search Parts in this Series

[50541Series](#)

Application Tooling | FAQ

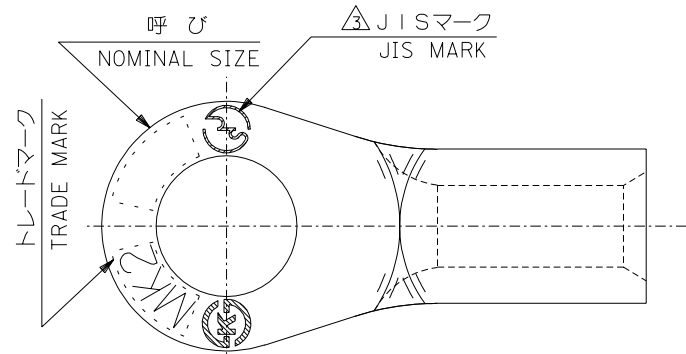
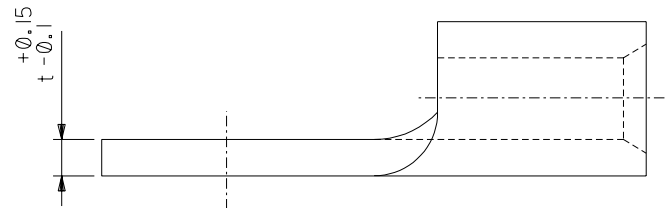
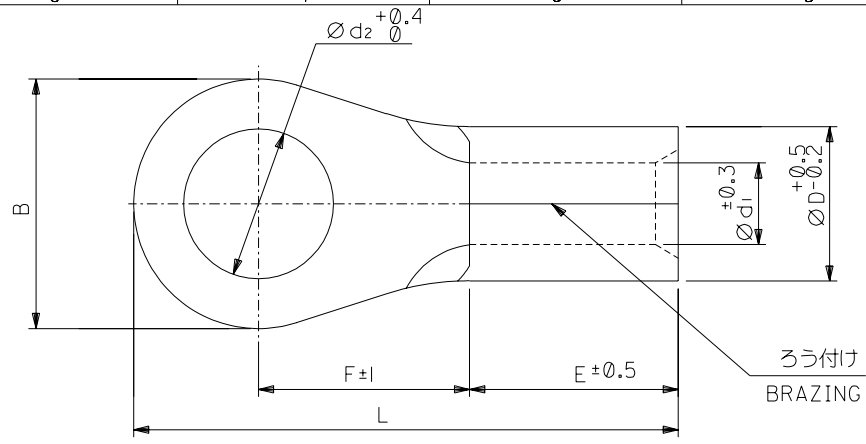
Tooling specifications and manuals are found by selecting the products below. Crimp Height Specifications are then contained in the Application Tooling Specification document.

Japan

| Description | Product # |
|--|----------------------------|
| Tool Kit For 57343-9012 | 0573439001 |
| Battery Type Hand Crimper For JIS Terminal | 0573439004 |

DO NOT SCALE DRAWING

DWG. NO. SD-50541-001



注記 NOTES

- 材質 MATERIAL
 端子: 無酸素銅、スズメッキ
 TERMINAL: OXYGEN FREE COPPER, TIN PLATING
 ろう付け部: りん銅ろう
 PART OF BRAZING: COPPER PHOSPHORUS BRAZING FILLER METALS
- 適用電線 APPLICABLE WIRE RANGE

| 単線 SOLID WIRE | 撚線 STRANDED WIRE |
|------------------|-----------------------------|
| 7.34-8.26 mm | 42.42-60.57 mm ² |

△ JIS認定品にのみ刻印。
 DIE STAMPED MARK IS ALLOWED ONLY FOR JIS FILED PRODUCTS.

| | | | | | | | | | | | |
|-----|---|------|------|------|----|------|------|--------|--------------------|----|--------------|
| | | 25 | | | | | | 32±0.6 | | 24 | 50541-7925 |
| | | 21 | | | | | | | | 20 | 50541-7825 |
| | | 19 | +0.5 | 23.5 | | | | | | 18 | -7725 |
| | | 17 | -1.2 | | | | | 32±0.5 | | 16 | -7625 |
| | | 15 | 57.5 | | | | | | | 14 | -7525 |
| JIS | 2 | 13 | | | 18 | 11.4 | 15.5 | 32±0.3 | 60 | 12 | -7425 |
| JIS | | 11.5 | +0.3 | | | | | | | 11 | -7325 |
| JIS | | 10.5 | -1.2 | 20.7 | | | | 22±0.3 | | 10 | -7225 |
| JIS | | 8.4 | | | | | | | | 8 | -7125 |
| | | 6.4 | | | | | | | | 6 | 50541-7025 |
| △ | t | d2 | L | F | E | d1 | D | B | 呼び NOMINAL SIZE | | MATERIAL NO. |

| | | | | | | | | |
|--------------------------------|--------------------------------|--------------------------------|--------------------------------|---|----------------------------------|--|---|--|
| 64 NO. DRWN: CH'K: APPR: | 63 NO. DRWN: CH'K: APPR: | 62 NO. DRWN: CH'K: APPR: | 61 NO. DRWN: CH'K: APPR: | RELEASED 60 NO. J2003-1905 DRWN: T.KAIHO 03/01/17 CH'K: T.ITO APPR: T.O.YAMAGUCHI | MATERIAL 材料 注記参照 SEE NOTES | GENERAL TOLERANCES: (UNLESS SPECIFIED) 一般公差 10 UNDER 未過 ±0.2 10 OVER 以上 30 UNDER 未滿 ±0.25 30 OVER 以上 ±0.3 ANGLE 角度 ±3° | MODEL NO. 50541-7*25 SCALE 1:1 DESIGN UNITS <input checked="" type="checkbox"/> mm <input type="checkbox"/> INCH DRAWN BY & DATE T.KAIHO '03/01/17 CHECKED BY & DATE T.ITO '03/01/17 APPROVED BY & DATE T.YAMAGUCHI '03/01/17 CAD FILENAME SD50541001.S01 | DIMENSIONS: <input type="checkbox"/> mm <input type="checkbox"/> INCH <input checked="" type="checkbox"/> mm ONLY SHT 1 REV 01 PROJECTION 1st ANGLE TITLE: RING TERMINAL(銅線用裸圧着端子) MOLEX MOLEX INCORPORATED MATERIAL NO. SEE CHART DRAWING NO. SD-50541-001 SHEET NO. 1 OF 1 |
| 8 | 7 | 6 | 5 | 4 | 3 | 2 | 1 | |

SD5054100.S01