

PLEASE CHECK WWW.MOLEX.COM FOR LATEST PART INFORMATION

Part Number: [0850480074](#)
Status: **Active**
Overview: [din_41612](#)
Description: 2.54mm (.100") Pitch DIN 41612/IEC 603-2 Mixed Layout Connector, Through Hole, Vertical, Female Style M, 48 Circuits, Lead free

Documents:

[3D Model](#) [RoHS Certificate of Compliance \(PDF\)](#)
[Drawing \(PDF\)](#)

Agency Certification

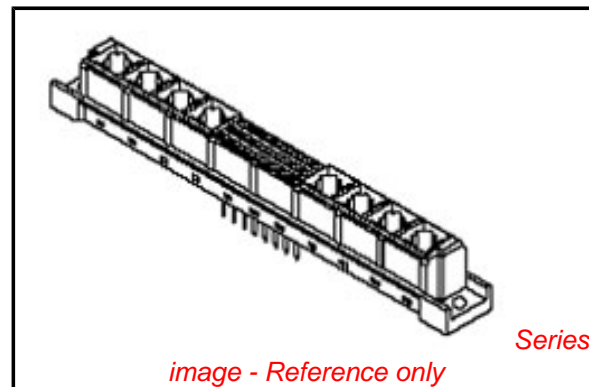
CSA LR19980
 UL E29179

General

Product Family Backplane Connectors
 Series [85048](#)
 Application Backplane
 Comments Mixed Layout
 Component Type PCB Receptacle
 Overview [din_41612](#)
 Product Name IEC 603-2/DIN 41612
 Style M

Physical

Circuits (Loaded) 48
 Circuits (maximum) 48
 Circuits Detail Rows A, B & C
 Durability (mating cycles max) 400
 First Mate / Last Break No
 Flammability 94V-0
 Guide to Mating Part No
 Keying to Mating Part Yes
 Material - Metal Copper Alloy
 Material - Plating Mating Gold
 Material - Plating Termination Tin
 Number of Columns 14
 Number of Pairs Open Pin Field
 Number of Rows 3
 Orientation Vertical
 PC Tail Length (in) 0.177 In
 PC Tail Length (mm) 4.50 mm
 PCB Locator No
 PCB Retention Yes
 Packaging Type Carton
 Pitch - Mating Interface (in) 0.100 In
 Pitch - Mating Interface (mm) 2.54 mm
 Pitch - Term. Interface (in) 0.100 In
 Pitch - Term. Interface (mm) 2.54 mm
 Plating min: Mating (µin) 24
 Plating min: Mating (µm) 0.60
 Polarized to PCB Yes
 Stackable No
 Surface Mount Compatible (SMC) No
 Temperature Range - Operating -55°C to +125°C
 Termination Interface: Style Through Hole



EU RoHS

**ELV and RoHS
 Compliant
 REACH SVHC
 Not Reviewed
 Halogen-Free
 Status
 Not Reviewed**

China RoHS



Need more information on product environmental compliance?

Email productcompliance@molex.com
 For a multiple part number RoHS Certificate of Compliance, [click here](#)

Please visit the [Contact Us](#) section for any non-product compliance questions.

Search Parts in this Series

[85048Series](#)

Mates With

DIN 41612/EIC 603-2 Mixed Layout Connector [85009](#) , [85017](#)

Use With

[85022](#) DIN 41612 High Current Contact

Electrical

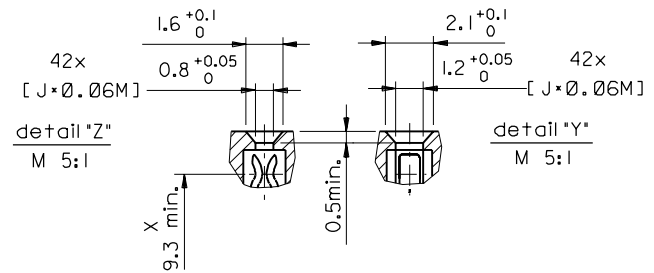
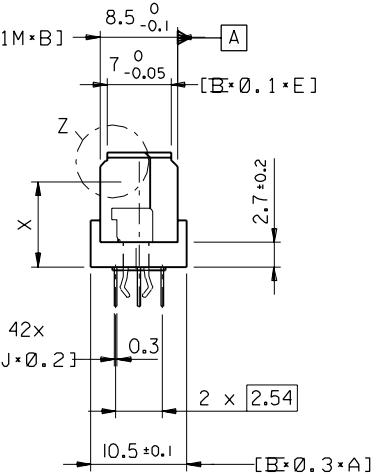
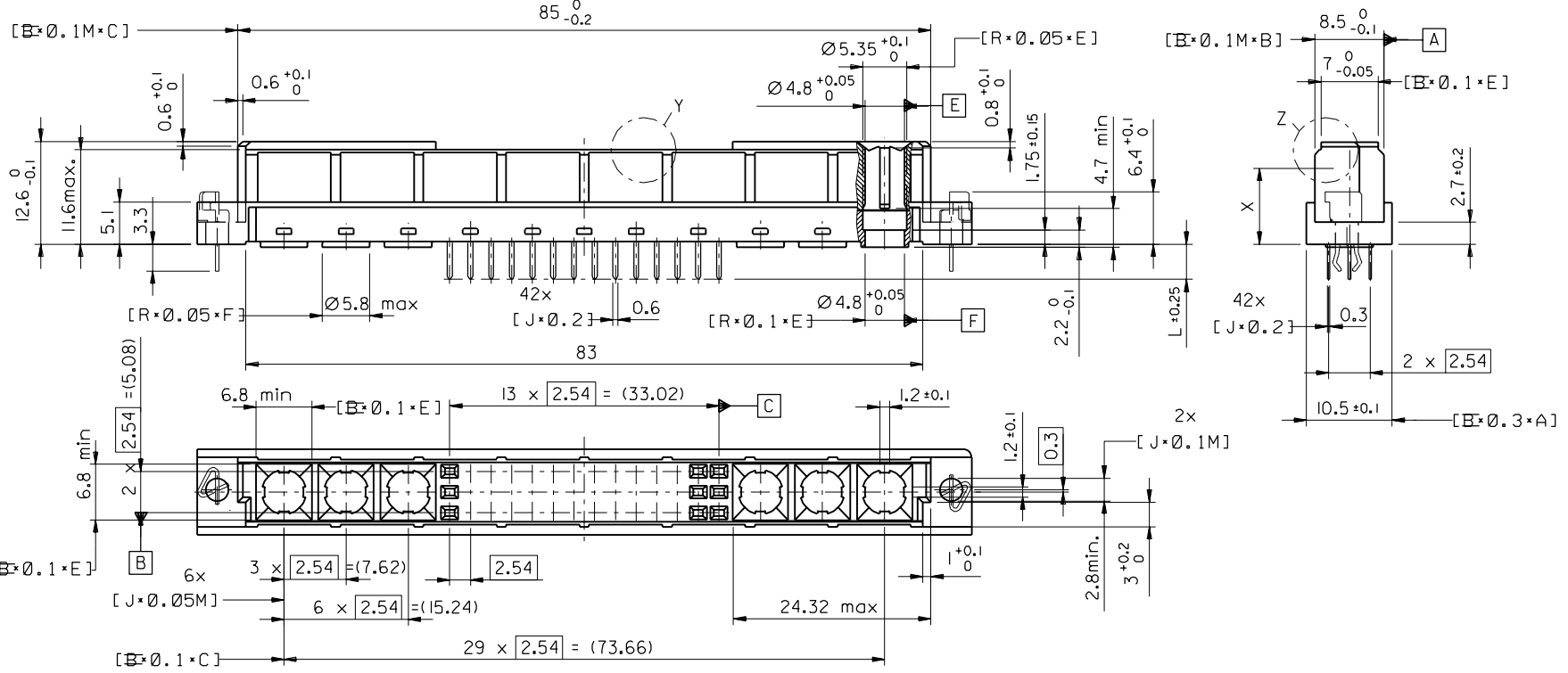
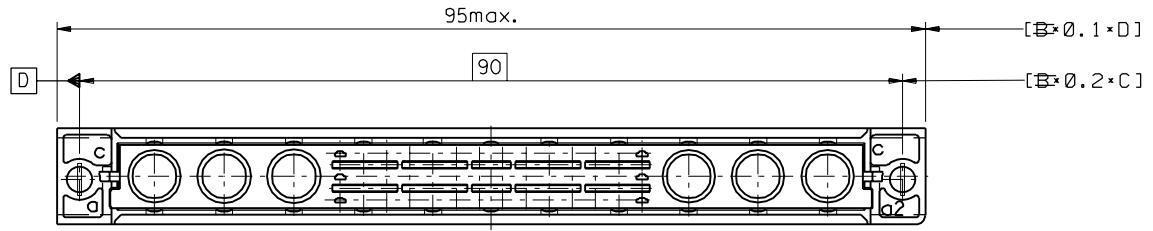
Current - Maximum per Contact	1A
Data Rate	622.0 Mbps
Real Signals (per 25mm)	30
Voltage - Maximum	250V AC (RMS)

Material Info**Reference - Drawing Numbers**

Packaging Specification	PK-85048-001
Sales Drawing	SD-85048-0003, SD-85048-0074

This document was generated on 05/17/2010

PLEASE CHECK WWW.MOLEX.COM FOR LATEST PART INFORMATION



FIRST ANGLE PROJECTION		DRWG BY	SIGN
UNLESS OTHERWISE SPECIFIED TOLERANCES: ANGULAR ±2°		KN	
3 PLACE ±	±	CHK'D BY	SIGN
2 PLACE ±	±	Ca	
1 PLACE ±	±	APP'D BY	SIGN
DRAFT WHERE APPLICABLE MUST REMAIN WITHIN DIMENSIONS		JB	
DESIGN DIMENSION	<input checked="" type="checkbox"/> MM	SCALE	2:1
EQUIVALENT DIMENSION	<input type="checkbox"/> IN.		
IF TWO DIMENSIONS ARE SHOWN THE UPPER IS THE DESIGN DIMENSION, LOWER IS SECONDARY			

REVISE ONLY ON CAD SYSTEM		SH.	REV.
CAD/CAM PROJECT NAME 85048000 831		THIS DRAWING CONTAINS INFORMATION THAT IS PROPRIETARY TO MOLEX INC. & SHOULD NOT BE USED WITHOUT WRITTEN PERMISSION	
TITLE 42 pos. Federleiste 42 pos. female connector DIN 41612, style M			
MOLEX EUROPE		SHEET NO.	DATE
PART NO.		1 OF 2	97/04/10
DWG NO.		SD-85048-0003	SIZE B

ECN 2478	first release
LTR	REVISIONS
FOR PREVIOUS REVISIONS SEE MRI LIST	

