

PLEASE CHECK WWW.MOLEX.COM FOR LATEST PART INFORMATION

Part Number: [0850400127](#)
Status: **Active**
Overview: [din_41612](#)
Description: 2.54mm (.100") Pitch DIN 41612 Receptacle, Style B, 64 Circuits, Lead free

Documents:

[3D Model](#) [Product Specification PS-85042-001 \(PDF\)](#)
[Drawing \(PDF\)](#) [RoHS Certificate of Compliance \(PDF\)](#)

Agency Certification

CSA LR19980
 UL E29179

General

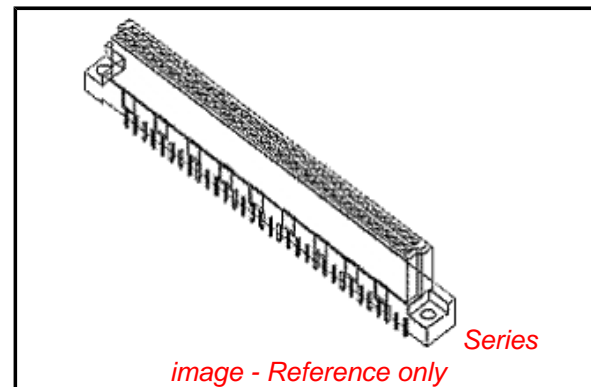
Product Family Backplane Connectors
 Series [85040](#)
 Application Daughtercard
 Comments No Mounting Clips. No Flux Proof
 Component Type PCB Receptacle
 Overview [din_41612](#)
 Product Name IEC 603-2/DIN 41612
 Style B

Physical

Circuits (Loaded) 64
 Circuits (maximum) 64
 Circuits Detail Standard Contacts at A:a1-a32; B:b1-b32
 Durability (mating cycles max) 400
 First Mate / Last Break No
 Flammability 94V-0
 Guide to Mating Part No
 Keying to Mating Part Yes
 Number of Columns 32
 Number of Pairs Open Pin Field
 Number of Rows 2
 Orientation Vertical
 PC Tail Length (in) 0.114 In
 PC Tail Length (mm) 2.90 mm
 PCB Locator No
 PCB Retention Yes
 PCB Thickness Recommended (in) 0.063 In, 0.157 In
 PCB Thickness Recommended (mm) 1.60 mm, 4.00 mm
 Packaging Type Bag
 Pitch - Mating Interface (in) 0.100 In
 Pitch - Mating Interface (mm) 2.54 mm
 Pitch - Term. Interface (in) 0.100 In
 Pitch - Term. Interface (mm) 2.54 mm
 Polarized to PCB Yes
 Stackable No
 Surface Mount Compatible (SMC) No
 Temperature Range - Operating -55°C to +125°C
 Termination Interface: Style Through Hole

Electrical

Current - Maximum per Contact 1A
 Data Rate 622.0 Mbps



EU RoHS

**ELV and RoHS
 Compliant**
REACH SVHC
 Not Reviewed
**Halogen-Free
 Status**
 Not Reviewed

China RoHS



**Need more information on product
 environmental compliance?**

Email productcompliance@molex.com
 For a multiple part number RoHS Certificate of
 Compliance, [click here](#)

Please visit the [Contact Us](#) section for any
 non-product compliance questions.

Search Parts in this Series

[85040Series](#)

Mates With

DIN 41612 Headers [85001](#) , [85011](#)

Real Signals (per 25mm)	20
Shielded	No
Voltage - Maximum	250V AC (RMS)

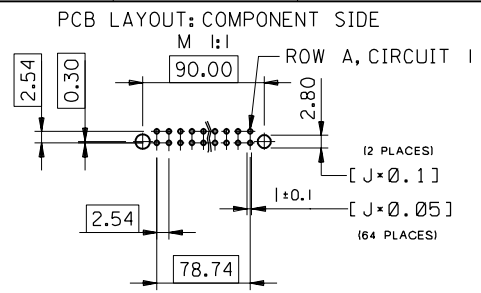
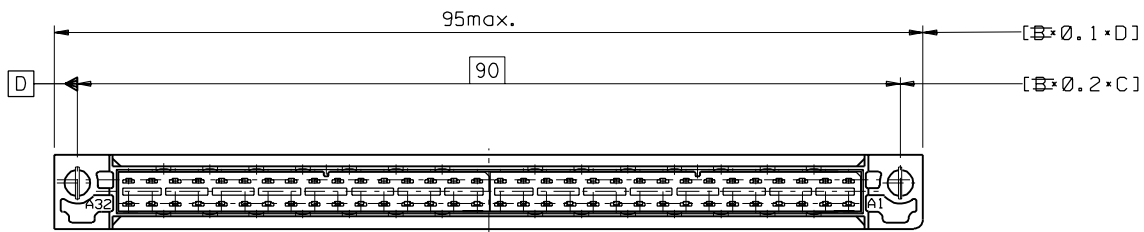
Material Info

Reference - Drawing Numbers

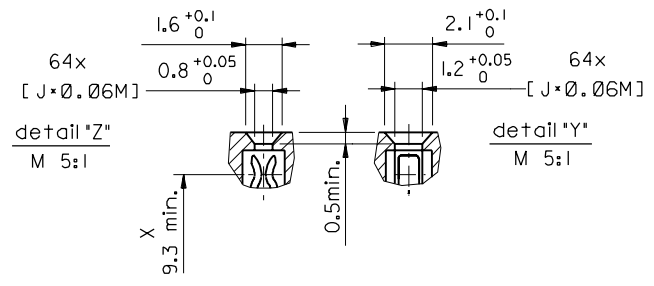
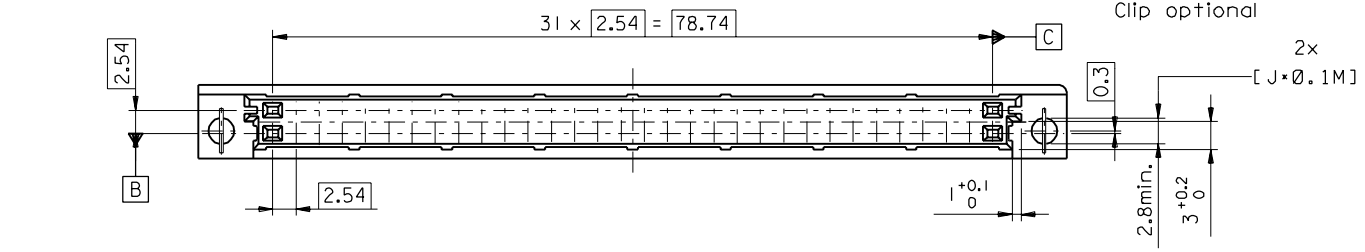
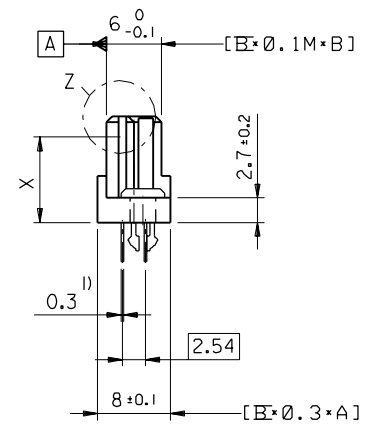
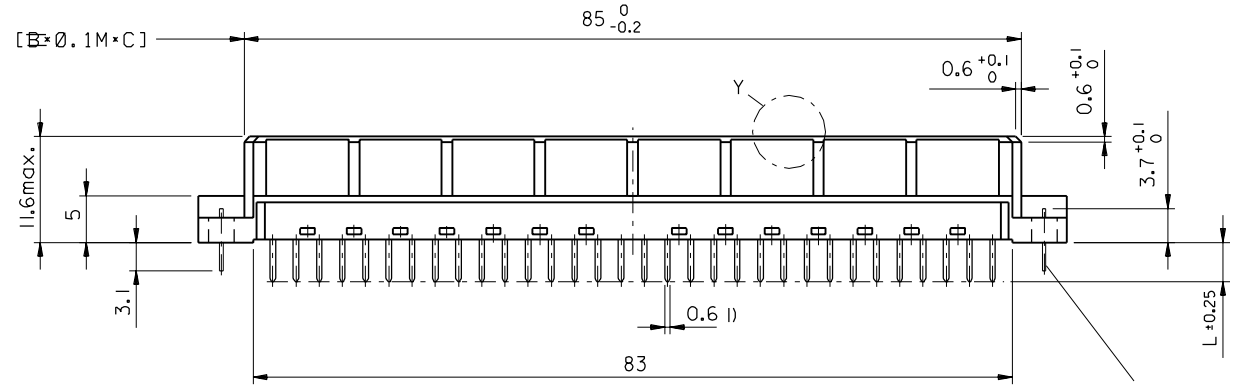
Product Specification	PS-85042-001
Sales Drawing	SDA-85040-0001, SDA-85040-0127

This document was generated on 05/17/2010

PLEASE CHECK WWW.MOLEX.COM FOR LATEST PART INFORMATION



1) tails to fit in PC-board layout



C	LTR	ECN MG1998-2727	REVISIONS	3 PLACE ±	±	DRWG BY	SIGN	CAECAM PROJECT NAME	SH.	REV.
		new fixing clip		2 PLACE ±	±					
		98-04-14 Co		1 PLACE ±	±	CHK'D BY	SIGN	611		
				DRAFT WHERE APPLICABLE MUST REMAIN WITHIN DIMENSIONS		APP'D BY	SIGN	THIS DRAWING CONTAINS INFORMATION THAT IS PROPRIETARY TO MOLEX INC. & SHOULD NOT BE USED WITHOUT WRITTEN PERMISSION		
				DESIGN DIMENSION	<input checked="" type="checkbox"/> MM	SCALE		TITLE		
				EQUIVALENT DIMENSION	<input type="checkbox"/> MM	2:1		64 pos. Female connector		
				IF TWO DIMENSIONS ARE SHOWN THE UPPER IS THE DESIGN DIMENSION, LOWER IS SECONDARY				DIN 41612 style B + clip		
								Dimensions		

MOLEX EUROPE		SHEET NO.	DATE
PART NO.		1 OF 1	95/11/14
DWG NO.		SIZE	
SDA-85040-0001		B	

