

Features

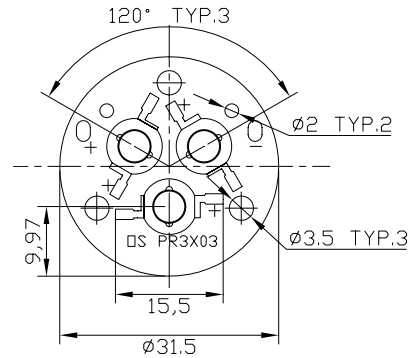
- Super Bright
- Big Emitting Angle
- Long Life
- Quick Response
- Superior ESD Protection
- Superior UV Resistance
- Can be equipped with lens:OS-OLTX3525X

Applications

- Small Space Lighting
- Mechanical equipment lights

Outline Size

Unit: mm
Tolerance: ± 0.30mm



Absolute Maximum Rating

(Ta=25)

Item	Symbol	Value	Unit
Operating Temperature	Tope	-30 ~ +85	
Storage Temperature	Tstg	-40~ +100	
Input Voltage(DC)	V _i	12	V
Input Current(DC)	I _i	400	mA
Power Dissipation	P _a	4.8	W

Picture

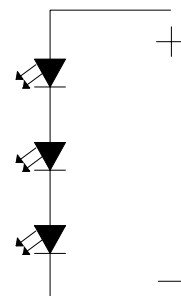


Electrical -Optical Characteristics

(Ta=25)

Item	Symbol	Condition	Min.	Typ.	Unit
Input Voltage(DC)	V _i	-	9	10	V
Input Current(DC)	I _i	-	150	350	mA
Power Dissipation	P _a	-	1.35	3.5	W
Chromaticity	x	I _f =350mA	-	0.31	
Coordinates	y	I _f =350mA	-	0.33	
Whole Luminous Flux*	v	I _f =350mA	-	300	lm
Beam Pattern	BP	-	-	120	Deg
Net Weight	Wei	-	-	5	g

Circuit



*Tolerance of luminous intensity is ±15