

PLEASE CHECK WWW.MOLEX.COM FOR LATEST PART INFORMATION

Part Number: [0082286051](#)
Status: **Active**
Description: 2.54mm (.100") Pitch Round Conductor Flat Cable - 28 AWG (7 x 36) Stranded, Topcoat, 5 Circuits, Reel 30.48m (100.0') Length

Documents:

[Drawing \(PDF\)](#) [RoHS Certificate of Compliance \(PDF\)](#)

Agency Certification

CSA LR61126
 UL E61522

General

Product Family Cable
 Series [7767](#)
 Crimp Quality Equipment Yes
 Geographic Area Asia
 Product Name Ribbon

Physical

Cable Length 30.48m (100.0')
 Circuits (Loaded) 5
 Insulation PVC
 Packaging Type Reel
 Pitch - Term. Interface (in) 0.100 In
 Pitch - Term. Interface (mm) 2.54 mm
 Temperature Range - Operating -20°C to +105°C
 Wire Size AWG 28
 Wire/Cable Type (7x36) Stranded, Topcoat

Electrical

Current - Maximum per Contact N/A
 Voltage - Maximum 300V

Material Info

Old Part Number 7767-05-100B

Reference - Drawing Numbers

Sales Drawing SD-7767-001



EU RoHS

ELV and RoHS Compliant
REACH SVHC
 Not Reviewed
Halogen-Free Status
 Not Reviewed

China RoHS



Need more information on product environmental compliance?

Email productcompliance@molex.com
 For a multiple part number RoHS Certificate of Compliance, [click here](#)

Please visit the [Contact Us](#) section for any non-product compliance questions.

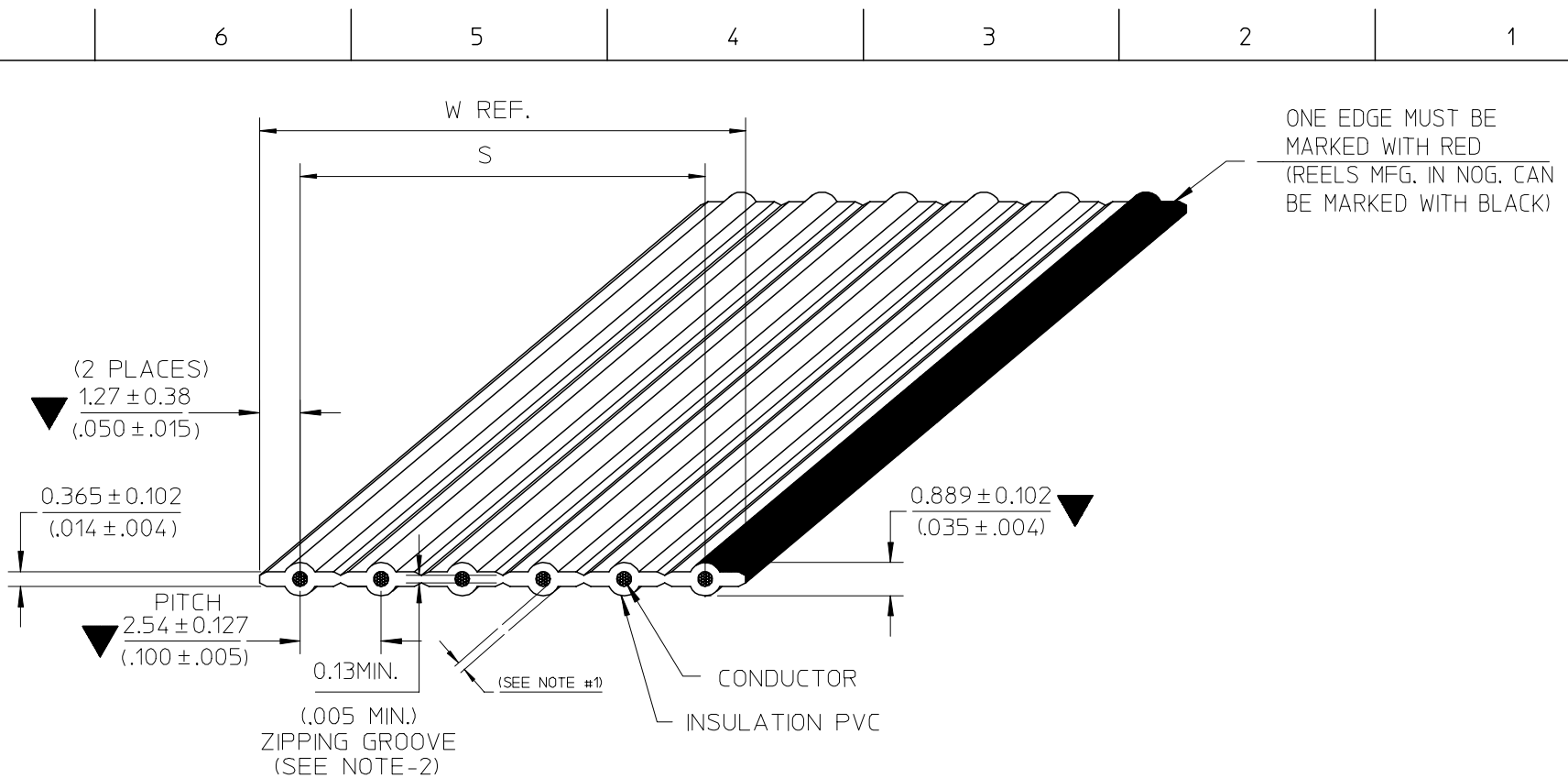
Search Parts in this Series

[7767Series](#)

Use With

[70400](#) C-Grid SL™ IDT Connector Assembly.
[70475](#) SL™ IDT Connector Assembly.
[7720](#) KK® IDT Double Cantilever Contact

PLEASE CHECK WWW.MOLEX.COM FOR LATEST PART INFORMATION



- NOTE :
1. THE CABLE SHALL HAVE A MINIMUM OF 0.178mm. (.007") THICKNESS INSULATION AT ANY POINT
 2. RIP TEST:
- THE 0.13mm. (.005") ZIPPING GROOVE SHALL BE CAPABLE OF BEING RIPPED BY HAND WITHIN THE RECESS, WITHOUT EXPOSING THE ADJACENT CONDUCTORS
 3. RoHS AND LEAD FREE COMPLIANT
 4. SPECIAL REQUIREMENT: N/A

B	E-07-0748	B ₂ : ADD NON-OPERATING TEMP.	07/09/27	SEE CHANGE DETAIL EC NO: THL2008-0015	DRWN: CPANSAKHOM 2007/11/28 CHKD: DNARINTARA 2007/11/29 APPR: SVIRATJAPOL 2007/12/04	DESCRIPTION	QUALITY SYMBOLS ▽=3 ◻=0	GENERAL TOLERANCES (UNLESS SPECIFIED)		DIMENSION STYLE MM/IN		SCALE NTS	DESIGN UNITS INCH	THIRD ANGLE PROJECTION
		B ₁ : ADD SOLDERING CONDITION												
A	N/A	NEW RELEASE	06/07/18					4 PLACES ± --- ± ---	DRAWN BY CPANSAKHOM	DATE 2006/07/18	TITLE FCB ROUND CONDUCTOR 2.54MM(.100)CENTER PVC. 28AWG STRANDED TOPCOATED			
REV. HISTORY	EC NO.	DETAIL	DATE	B	REV			3 PLACES ± --- ± ---	CHECKED BY PMEECHAI	DATE 2006/07/18	MOLEX INCORPORATED			
								2 PLACES ± --- ± ---	APPROVED BY SVIRATJAPOL	DATE 2006/07/18	DOCUMENT NO. SD-7767-001			SHEET NO. 1 OF 3
								1 PLACE ± --- ± ---	MATERIAL NO. SEE CHART					
								ANGULAR ± --- °	THIS DRAWING CONTAINS INFORMATION THAT IS PROPRIETARY TO MOLEX INCORPORATED AND SHOULD NOT BE USED WITHOUT WRITTEN PERMISSION					

SPECIFICATIONS

PHYSICAL

CONDUCTOR SPACING ----- 2.54 (.100") \bar{C} TO \bar{C}
 WIRE GAUGE ----- 28 AWG(7/36) STRANDED TOPCOATED
 INSULATION ----- P.V.C GRAY (LEAD FREE)

AGENCY

U.L. STYLE NO. ----- 2651
 TEMPERATURE RATING ----- -20°C TO 105°C
 VOLTAGE RATING ----- 300V.MAX.
 FLAMMABILITY RATING ----- VW-1

ELECTRICAL

CONDUCTOR RESISTANCE (D.C.) ----- .68 m OHMS/FT. MAX.
 CHARACTERISTIC IMPEDANCE ----- 150 OHMS NOM. (GS)
 128 OHMS NOM. (GSG)
 CAPACITANCE ----- 5.0 pF/FT. NOM. (GS)
 9.12 pF/FT. NOM. (GSG)
 PROPAGATION DELAY ----- 1.4 ns/FT. NOM.
 INSULATION RESISTANCE ----- 10 M OHMS (10FT. SAMPLE)
 DIELECTRIC WITHSTAND VOLTAGE ----- 2000 VRMS/MINUTE

GENERAL

$\triangle B_2$ NON-OPERATING TEMPERATURE ----- -20°C TO 105°C
 FAULTS AND/OR SPLICES ----- 1/REEL MAX. 100 \pm ³₀ FT. (30.48 \pm ^{0.914}₀ M.)/REEL
 20FT. (6.096M.) MIN. LENGTH

$\triangle B_1$ SOLDERING CONDITION

SOLDER TEMPERATURE ----- -260°C. MAX.
 SOLDERING TIME ----- 3 SECONDD. MAX.
 INSULATION SHRINK ----- 2MM. NOM

SEE CHANGE DETAIL EC NO: THL2008-0015 DRWN: CPANSAKHOM 2007/11/28 CHKD: DNARINTARA 2007/11/29 APPR: SVIRATJAPOL 2007/12/04	DESCRIPTION REV	QUALITY SYMBOLS	GENERAL TOLERANCES (UNLESS SPECIFIED)		DIMENSION STYLE		SCALE	DESIGN UNITS	THIRD ANGLE PROJECTION		
			mm	INCH	MM/IN		NTS	INCH			
		$\blacktriangledown =$	4 PLACES \pm ---	\pm ---	DRAWN BY	DATE	TITLE				
		$\triangle C =$	3 PLACES \pm ---	\pm ---	CPANSAKHOM	2006/07/18	FCB ROUND CONDUCTOR 2.54MM(.100)CENTER PVC. 28AWG STRANDED TOPCOATED				
		2 PLACES \pm ---	\pm ---	CHECKED BY	DATE	MOLEX INCORPORATED					
		1 PLACE \pm ---	\pm ---	PMEECHAI	2006/07/18	SD-7767-001					
		ANGULAR \pm ---		APPROVED BY	DATE	SHEET NO.					
				SVIRATJAPOL	2006/07/18	2 OF 3					
		DRAFT WHERE APPLICABLE MUST REMAIN WITHIN DIMENSIONS		MATERIAL NO.	DOCUMENT NO.						
				SEE CHART	SD-7767-001						
				SIZE	THIS DRAWING CONTAINS INFORMATION THAT IS PROPRIETARY TO MOLEX INCORPORATED AND SHOULD NOT BE USED WITHOUT WRITTEN PERMISSION						
				$\triangle A$							

E

E

D

D

C

C

B

B

A

A

CHART A					SHIPPED ON	
DIMENSIONS MM. (INCHES)					100 FT. REELS	
ENG. NO.	NO.OF COND.	DIMENSION S		DIM. W (REF)	ENGINEERING NO.	ORDER NO.
7767-02	2	2.54±0.127	(.100±.005)	5.08 (.200)	7767-02-100B	82-28-6021
7767-03	3	5.08±0.20	(.200±.008)	7.62 (.300)	▲ -03- ▲	▲ 03▲
7767-04	4	7.62±0.30	(.300±.012)	10.16 (.400)	▲ -04- ▲	▲ 04▲
7767-05	5	10.16±0.33	(.400±.013)	12.70 (.500)	▲ -05- ▲	▲ 05▲
7767-06	6	12.70±0.33	(.500±.013)	15.24 (.600)	▲ -06- ▲	▲ 06▲
7767-07	7	15.24±0.33	(.600±.013)	17.78 (.700)	▲ -07- ▲	▲ 07▲
7767-08	8	17.78±0.33	(.700±.013)	20.32 (.800)	▲ -08- ▲	▲ 08▲
7767-09	9	20.32±0.33	(.800±.013)	22.86 (.900)	▲ -09- ▲	▲ 09▲
7767-10	10	22.86±0.33	(.900±.013)	25.40 (1.000)	▲ -10- ▲	▲ 10▲
7767-11	11	25.40±0.33	(1.000±.013)	27.94 (1.100)	▲ -11- ▲	▲ 11▲
7767-12	12	27.94±0.33	(1.100±.013)	30.48 (1.200)	▲ -12- ▲	▲ 12▲
7767-13	13	30.48±0.33	(1.200±.013)	33.02 (1.300)	▲ -13- ▲	▲ 13▲
7767-14	14	33.02±0.33	(1.300±.013)	35.56 (1.400)	▲ -14- ▲	▲ 14▲
7767-15	15	35.56±0.33	(1.400±.013)	38.10 (1.500)	▲ -15- ▲	▲ 15▲
7767-16	16	38.10±0.33	(1.500±.013)	40.64 (1.600)	▲ -16- ▲	▲ 16▲
7767-17	17	40.64±0.33	(1.600±.013)	43.18 (1.700)	▲ -17- ▲	▲ 17▲
7767-18	18	43.18±0.33	(1.700±.013)	45.72 (1.800)	▲ -18- ▲	▲ 18▲
7767-19	19	45.72±0.33	(1.800±.013)	48.26 (1.900)	▲ -19- ▲	▲ 19▲
7767-20	20	48.26±0.33	(1.900±.013)	50.80 (2.000)	▼ -20- ▼	▼ 20▼

ENGINEERING NO.

7767-XX-XXXX

A B C D

A : CABLE 2.54mm. (.100") CENTERS 28 AWG STRANDED TOPCOATED

B : CONDUCTOR SIZE (AVAILABILITY 2 THROUGH 20)

C : CABLE LENGTH 100FT. (30.48M.)

D : A = INCHES

B = FEET

SEE CHANGE DETAIL EC NO: THL2008-0015 DRWN:CPANSAKHOM 2007/11/28 CHKD:DNARINTARA 2007/11/29 APPR:SVIRATJAPOL 2007/12/04	DESCRIPTION REV	QUALITY SYMBOLS	GENERAL TOLERANCES (UNLESS SPECIFIED)		DIMENSION STYLE		SCALE	DESIGN UNITS	THIRD ANGLE PROJECTION	
		▼ = ◻ =	mm	INCH	MM/IN		NTS	INCH	DRAWN BY CPANSAKHOM 2006/07/18 CHECKED BY PREECHAI 2006/07/18 APPROVED BY SVIRATJAPOL 2006/07/18 MATERIAL NO. SEE CHART	TITLE FCB ROUND CONDUCTOR 2.54MM(.100)CENTER PVC. 28AWG STRANDED TOPCOATED MOLEX INCORPORATED
			4 PLACES ± --- ± ---	3 PLACES ± --- ± ---	2 PLACES ± --- ± ---	1 PLACE ± --- ± ---	ANGULAR ± ---°	DATE		
		DRAFT WHERE APPLICABLE MUST REMAIN WITHIN DIMENSIONS			SEE CHART		SD-7767-001		SHEET NO. 3 OF 3	
		THIS DRAWING CONTAINS INFORMATION THAT IS PROPRIETARY TO MOLEX INCORPORATED AND SHOULD NOT BE USED WITHOUT WRITTEN PERMISSION								