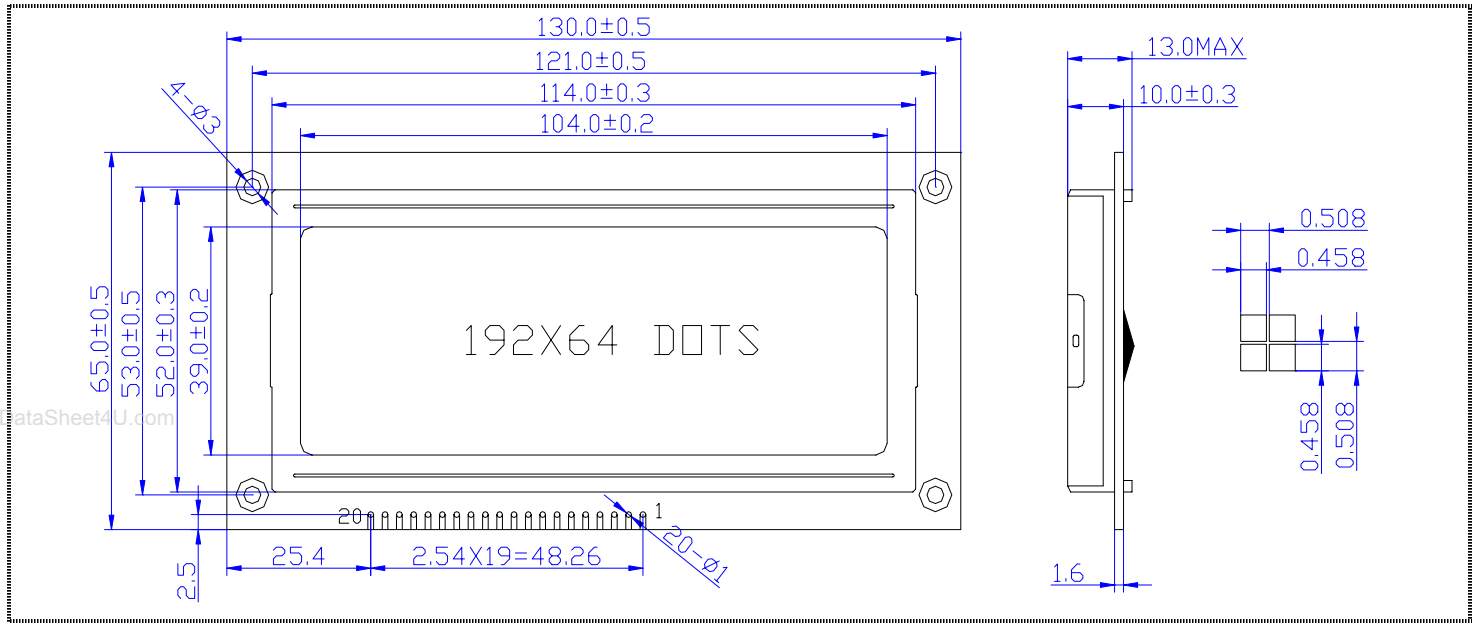


RT19264-1

SHENZHEN RUIITE ELECTRONIC CO., LTD
 Address: 深圳市宝安区79区西乡流塘107国道1-3栋8楼
 Tel: 86-755-27931867, 27931884, 27931806, 27931875
 FAX: 86-755-27931864 Postcode: 518102
 E-Mail: ruite168@21cn.com Http://www.ruitelcd.com



MECHANICAL DATA		
Item	Nominal Dimensions	Unit
Module Size(W×H×T)	130.0 × 65.0 × 13.0	mm
Viewing Area(W×H)	104.0 × 39.0	mm
Dot Pitch(W×H)	0.508 × 0.508	mm
Dot Size(W×H)	0.458 × 0.458	mm

PIN CONNECTIONS			
PIN	Symbol	Level	Function
1	VSS	—	GND(0V)
2	VDD	—	Supply Voltage for Logic(+5V)
3	V0	—	Power Supply for LCD
4	D/I	H/L	H: Data ; L: Instruction Code
5	R/W	H/L	H: Read; L: Write
6	E	H/L	Enable signal
7	DB0	H/L	Data Bus Line
8	DB1	H/L	
9	DB2	H/L	
10	DB3	H/L	
11	DB4	H/L	
12	DB5	H/L	
13	DB6	H/L	
14	DB7	H/L	
15	CS1	L	L: Chip Selection For Left Screen
16	/RESET	L	Reset Signal (Active LOW)
17	CS2	L	L: Chip Selection For Middle Screen
18	CS3	L	L: Chip Selection For Right Screen
19	VEE	—	Negative Voltage to LCD
20	LEDA	—	Backlight Power (+5V)

ABSOLUTE MAXIMUM RATINGS					
Item	Symbol	Min	Type	Max	Unit
Operating Voltage	VDD	4.5	5.0	5.5	V
Operating Current	IDD	7.3	9.0	11.0	mA
LED Voltage	V _{LED}	4.5	5.0	5.5	V
LED Current	I _{LED}	100	160	220	mA
Operating Temp.	T _{opr}	-20	—	+70	
Storage Temp.	T _{sto}	-30	—	+80	

ELECTRICAL CHARACTERISTICS					
Item	Symbol	Min	Type	Max	Unit
Input High Voltage	V _{IH}	0.7VDD	—	VDD	V
Input Low Voltage	V _{IL}	0	—	0.3VDD	V
Output High Voltage	V _{OH}	2.4	—	VDD	V
Output Low Voltage	V _{OL}	0	—	0.4	V

