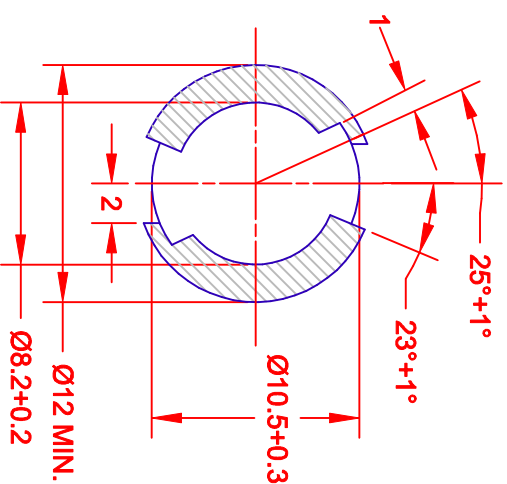
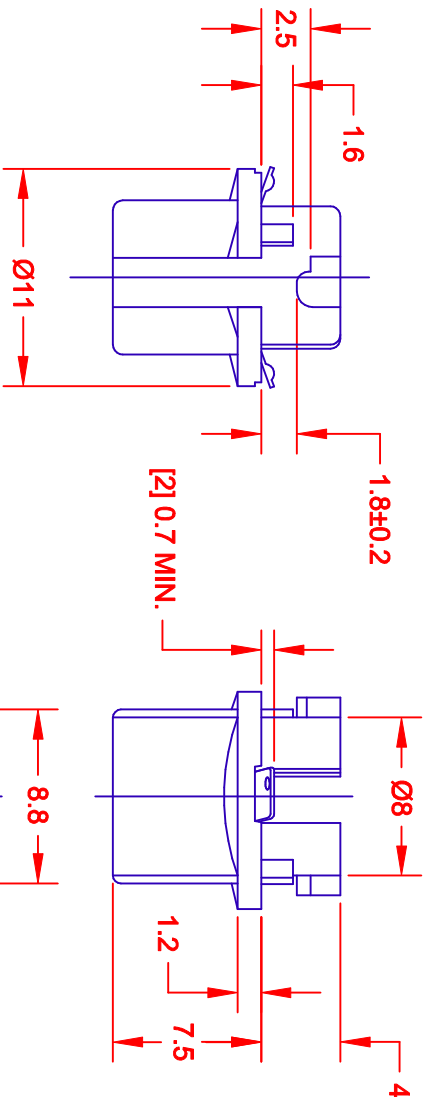
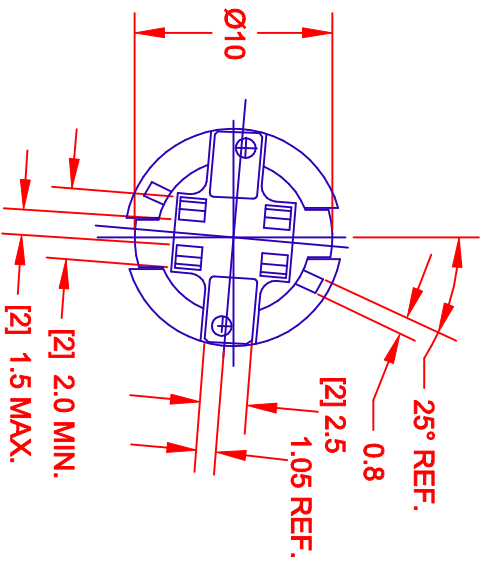


REV.	DESCRIPTION/ECCO NO.	DATE
	RELEASED AS CAD DRAW. AND	12/8/00
	NEW PART-CANCEL 2929 REV. 1	



BASE COLOR: BLACK

METRIC	DIMENSIONS ARE IN MILLIMETERS
THIRD ANGLE PROJECTION	TOLERANCE UNLESS OTHERWISE SPECIFIED
	1 PL +/- 0.2
	2 PL +/- 0.20
	ANGLE +/- 0

TITLE	
<b>JKL COMPONENTS CORPORATION</b>	
<b>T-1 3/4 WEDGE BASE SOCKET</b>	

DRAWN BY	APPR'D BY	DATE
L. WENGSTROM	JK	12/9/00

SIZE	SCALE	REV. NO.	RELEASED DATE	REVISION DATE	REV. NO.	SHEET
A	NONE	55335	12/9/00			1 OF 1
		<b>SOCKET 2929</b>				

- CAD DRAWING -  
MANUAL REVISIONS NOT PERMITTED