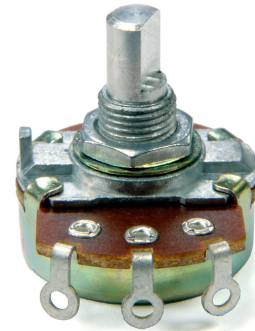


**Model P231**  
**24mm Rotary Potentiometer**  
**Carbon Element**  
**Metal shaft / Bushing**  
**RoHS Compliant**



**MODEL STYLE**

Side Adjust , Solder Lugs

P231

**ELECTRICAL<sup>1</sup>**

Resistance Range, Ohms	500-1M
Standard Resistance Tolerance	± 20%
Residual Resistance	20 ohms max.
Input Voltage, maximum	500 Vac max.
Power rating, Watts	0.5W- B taper, 0.25W-others
Dielectric Strength	500Vac, 1 minute
Insulation Resistance, Minimum	100M ohms at 250Vdc
Sliding Noise	100mV max.
Actual Electrical Travel, Nominal	270°

**MECHANICAL**

Total Mechanical Travel	300°± 10°
Static Stop Strength	70 oz-in
Rotational Torque, Maximum	2.5 oz-in

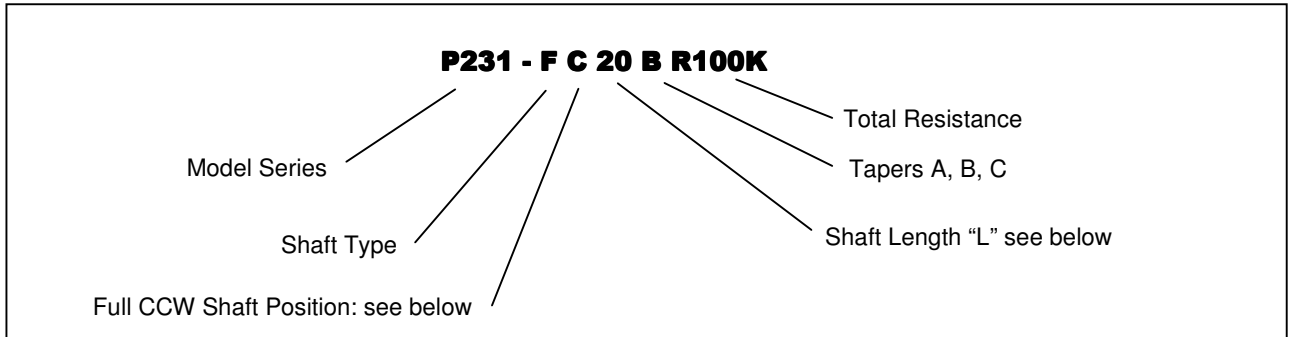
**ENVIRONMENTAL**

Operating Temperature Range	-20°C to +70°C
Rotational Life	10,000 cycles

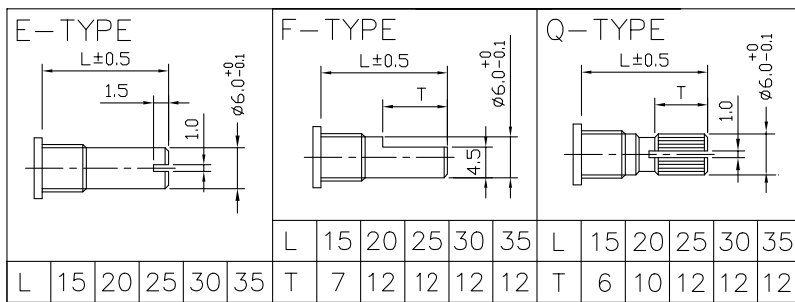
<sup>1</sup> Specifications subject to change without notice.

# Model P231

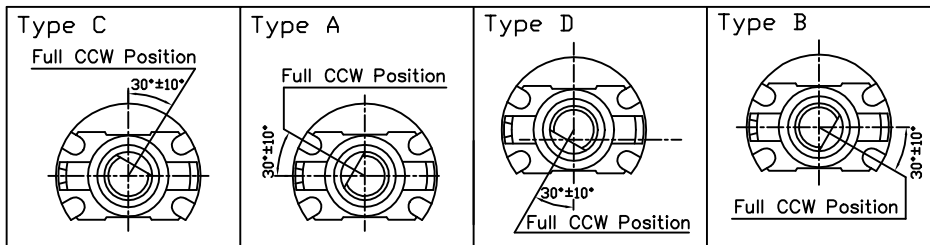
## ORDERING INFORMATION<sup>2</sup>



### Shaft Types



### Shaft Position



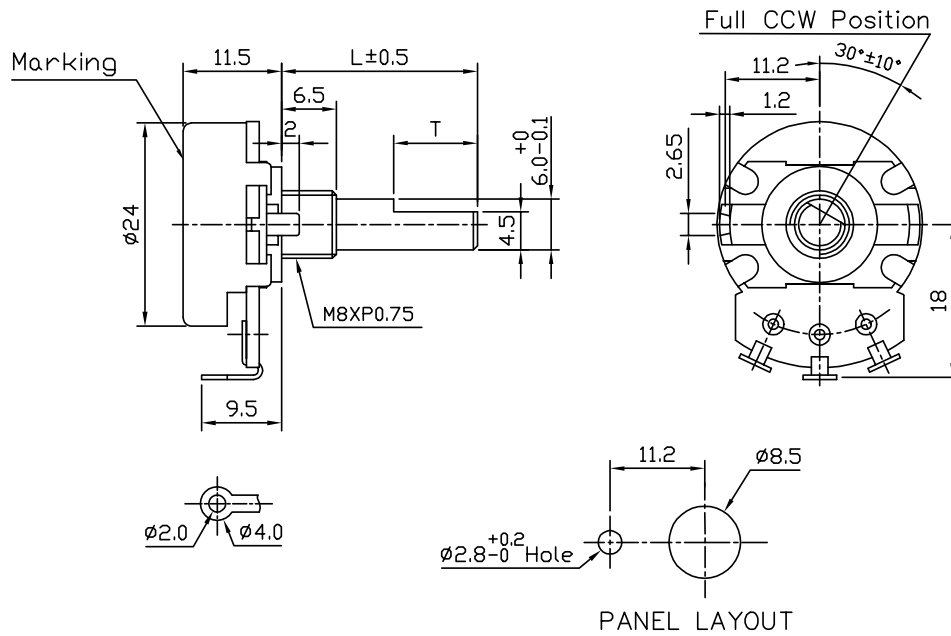
## STANDARD RESISTANCE VALUES, OHMS

500    1K    2K    5K    10K    20K    50K    100K    200K    500K    1MEG

<sup>2</sup> Contact our customer service for custom designs and features.

# Model P231

## OUTLINE DRAWING



## CIRCUIT DIAGRAM

