

TWO-WIRE TRANSMITTER MS9006

www.DataSheet4U.com



TECHNICAL DESCRIPTION AND INSTRUCTIONS FOR USAGE

I. DESIGNATION

The two-wire transmitter **MS9006** of “Microsyst” is very suitable for supervision or distant pressure control in different industrial processes.

It transmits the signal from the used sensor to the command post or to a computer terminal. In many cases the distance between these two objects is very big. If it becomes bigger, the problems with the transmitting signal become more because of the high noise-sensitivity of the long transmitting lines.

The device MS9006 is made by special technology and it self-powers by the informational line. It is ideal for distant mounting (case IP65) and it can be located everywhere on the two-wire line. If it is ordered by the customer, the company offers indicator transmitters – modification of the transmitters with 3½ LCD display, saving all characteristics of the products.

II. TECHNICAL DATA

Model	Input (sensor)	Range	Output	Accuracy
MS9006	pressure sensor	0 ... 15 bar (0.15;0.7;2;5;15)	4 ... 20 mA	0.2 %
		0 ... 100 bar (2.5;4;6;10;16;25;40;60; 100)		
	0 ... 350 bar			
	With dividing membrane	0 ... 16 bar (1;5;10;16)		
	For deep measurements	100 mbar ... 25 bar / 1 ...250 m		

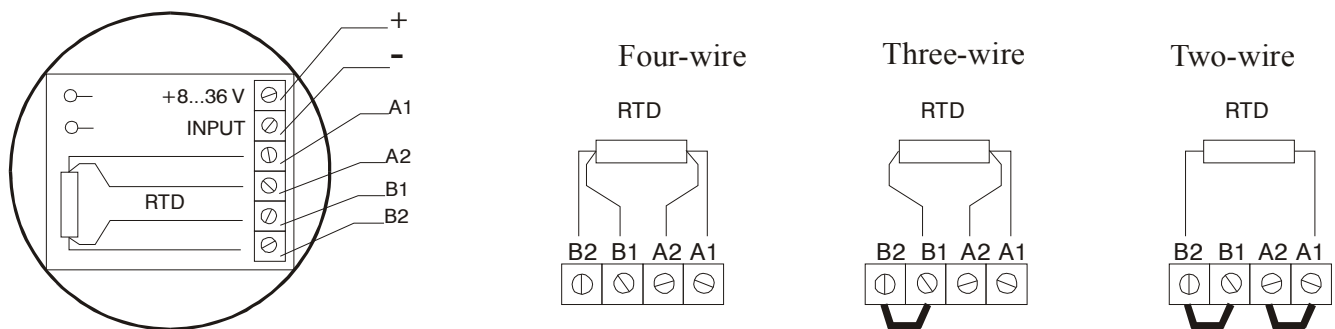
Display.....3½ LCD 13 mm
 Overall dimensions.....Ø70×90 mm
 Material.....aluminum
 Weight.....max. 200 g
 Electric connection.....screw terminals in the case

III. GENERAL APPEARANCE AND SCHEME OF CONNECTION

1. General appearance



2. Scheme of connection



Bulgaria, 4000 Plovdiv, 4 Murgash str.

Tel.: (+359 32) 642 519, 640 446 Fax: (+359 32) 640 446

www.microsyst.net e-mail: info@microsyst.net