

**PLEASE CHECK WWW.MOLEX.COM FOR LATEST PART INFORMATION**

**Part Number:** **0192030016**  
**Status:** **Active**  
**Description:** Krimptite™ Temp-Term Ring Tongue Terminal for 18 to 22 AWG Wire, Stud Size 10, Mylar Tape Carrier

**Documents:**

[Drawing \(PDF\)](#) [RoHS Certificate of Compliance \(PDF\)](#)

**Agency Certification**

UL E32244

**General**

Product Family Ring and Spade Terminals  
 Series 19203  
 Crimp Quality Equipment Yes  
 Mil-Spec N/A  
 Product Name Krimptite™, Temp-Terms  
 Type Ring

**Physical**

Barrel Type Closed  
 Insulation None  
 Material - Plating Mating Tin  
 Packaging Type Adhesive Tape on Reel  
 Stud Size 10 (M5)  
 Wire Size AWG 18, 20, 22  
 Wire Size mm<sup>2</sup> 0.25 - 1.50

**Material Info**

Old Part Number A-S-133-10T

**Reference - Drawing Numbers**

Sales Drawing SD-19203-016



*Series  
image - Reference only*

**EU RoHS**

**ELV and RoHS  
Compliant**  
**REACH SVHC**  
 Not Reviewed  
**Halogen-Free  
Status**

**China RoHS**



**Not Reviewed**

**Need more information on product  
environmental compliance?**

Email [productcompliance@molex.com](mailto:productcompliance@molex.com)  
 For a multiple part number RoHS Certificate of Compliance, [click here](#)

Please visit the [Contact Us](#) section for any non-product compliance questions.

**Search Parts in this Series**

19203Series

**Application Tooling | [FAQ](#)**

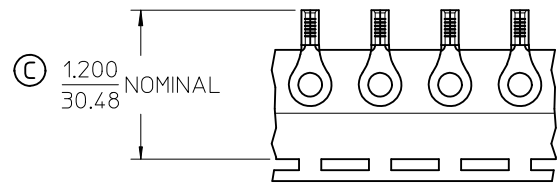
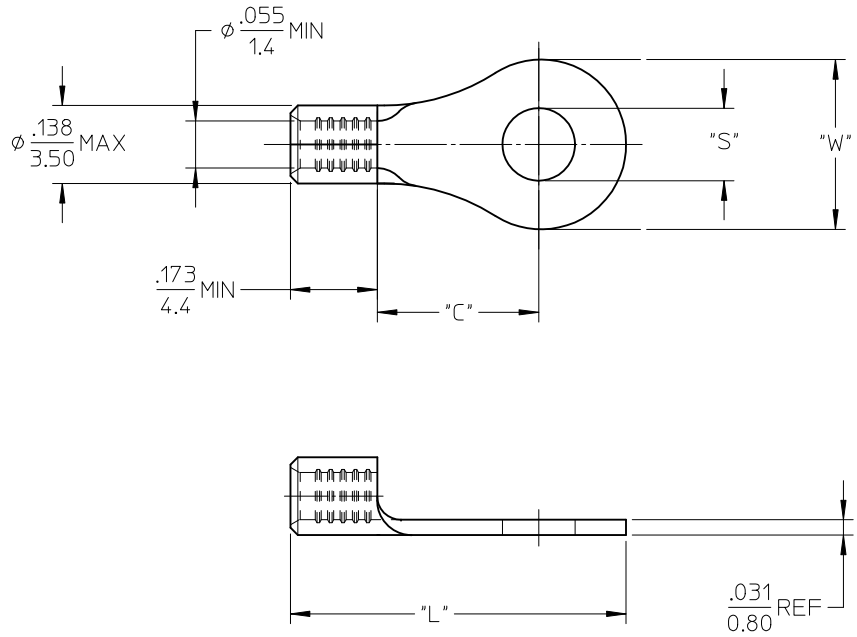
*Tooling specifications and manuals are found by selecting the products below. Crimp Height Specifications are then contained in the Application Tooling Specification document.*

**Global**

Description	Product #
ATP Perishable Tool Kit used in ATP presses that process product on tape	<u>0190270026</u>
Mini-Mac™ Applicator	<u>0638854500</u>

LOOSE PIECE		TAPE MOUNTED		STUD SIZE	DIMENSIONS			
MATERIAL NO.	ENG. NO.	MATERIAL NO.	ENG. NO.		"S" ±.007/0.18	"W" MAX	"C" MIN	"L" MAX
192030486	A-S-122-14	192030005	A-S-122-14T	1/4"	.256/6.50	.467/11.86	.427/10.85	.894/22.71
192030483	A-S-132-06	192030011	A-S-132-06T	06	.146/3.71	.270/6.86	.238/6.05	.611/15.52
192030485	A-S-132-08	192030014	A-S-132-08T	08	.169/4.29	.270/6.86	.238/6.05	.611/15.52
192030387	A-S-133-10	192030016	A-S-133-10T	10	.209/5.31	.325/8.26	.270/6.86	.666/16.92

Ⓒ



PARTS ON TAPE

NOTE(S):

1. MATERIAL: STEEL
2. WIRE SIZE: 22-18 AWG (0.25-1.5 MM<sup>2</sup>)
3. FINISH: NICKEL PLATING
4. PARTS ARE ROHS COMPLIANT.
5. AMBIENT OPERATING TEMPERATURE UP TO 900 °F (483 °C).

TAP HT, CONSOL P/N'S EC NO: WNA2010-0619 DRW:ETHRODAHL 2010/04/23 CHKD:JMACNEIL 2010/04/23 APPR:JMACNEIL 2010/06/07	QUALITY SYMBOLS ▽=0 ▽=0	GENERAL TOLERANCES (UNLESS SPECIFIED)		DIMENSION STYLE IN/MM		SCALE 4:1	DESIGN UNITS INCH	THIRD ANGLE PROJECTION
		4 PLACES ± --- ± ---	3 PLACES ± --- ± ---	2 PLACES ± --- ± ---	1 PLACE ± --- ± ---	DRAWN BY EHILE	DATE 2006/09/22	TITLE RING TONGUE TERMINAL, 22-18 AWG, KRIMPTITE, 900 DEG F (483 DEG C)
		ANGULAR ± --- °				CHECKED BY JMACNEIL	DATE 2006/09/22	
		DRAFT WHERE APPLICABLE MUST REMAIN WITHIN DIMENSIONS				APPROVED BY JMACNEIL	DATE 2006/09/22	DOCUMENT NO. SD-19203-036