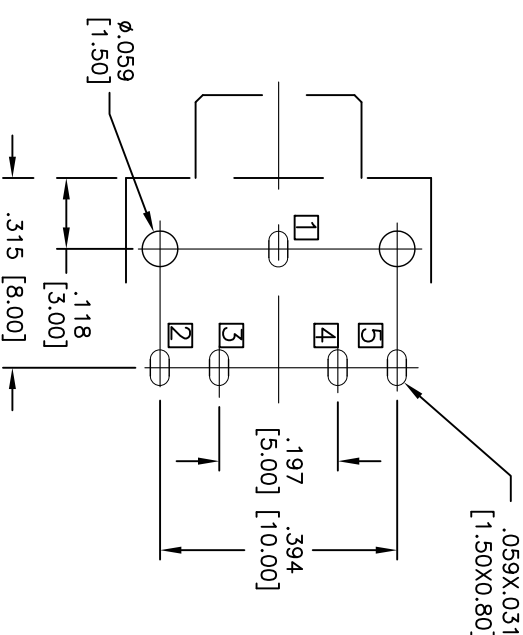
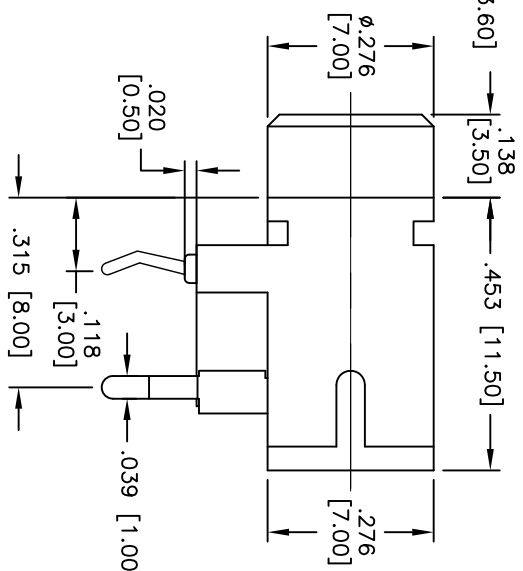
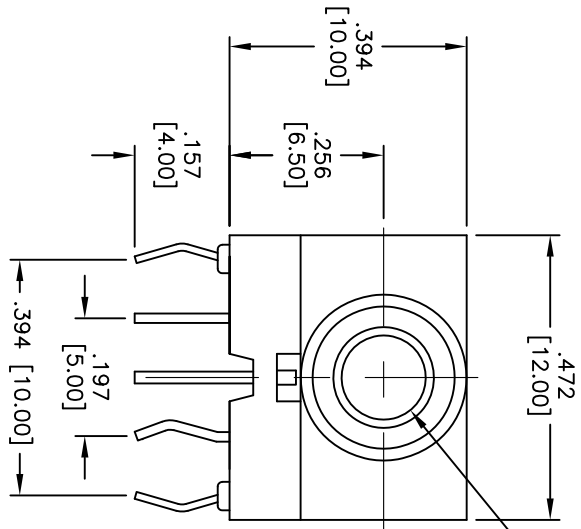


APPROVED: \_\_\_\_\_  
 DATE: \_\_\_\_\_ TITLE: \_\_\_\_\_

Rev	AWO #	Description	Date	Appr
-		RELEASED	12/10/04	
A		REDRAWN	8/30/10	



RECOMMENDED PCB LAYOUT

CONTRACT FORM	ASJ-6-5	ASJ-6-4B	ASJ-6-3A	ASJ-6-3	ASJ-6-2	ASJ-6-4A
SCHMATIC						

**SPECIFICATIONS:**

Material: Insulator: PBT, rated UL 94V-0  
 Insulator color: Black  
 Contacts: Copper Alloy, Tin plated.  
 Electrical:  
 Operating voltage: 30 VDC max.  
 Current rating: 0.5 Amp max.  
 Contact resistance: 30 mohms max.  
 Insulation resistance: 100 Mohms min.  
 Dielectric withstanding voltage: 500 VAC for 1 minute  
 Temperature Rating:  
 Operating temperature: -20°C to +70°C  
 Environmental:  
 Lead free, RoHS compliant.  
 Recommended soldering temp: 235°C for 5 sec.



**ADAM TECH**

909 Railway Avenue, Union, NJ 07083  
 Phone: 908-687-5000 Fax: 908-687-5710

STEREO PHONE JACK, 3.5mm

UNLESS OTHERWISE SPECIFIED ALL DIMENSIONS ARE INCHES [MM]		TOLERANCES: EXCEPT AS NOTED	
INCHES	±.10	HOLE SIZE	±.015
.XX	±.020	ØXXX	±.010
.XXX	±.015	ØXXX	±.010
APPROVALS		DATE	
DRAWN	SS	10/4/04	
CHECKED	AY	8/30/10	
APPROVED		SIZE	PART NO.
		X	ASJ-6-XX
REF: S0002C	SCALE: NTS	SHEET 1 OF 1	REV. A