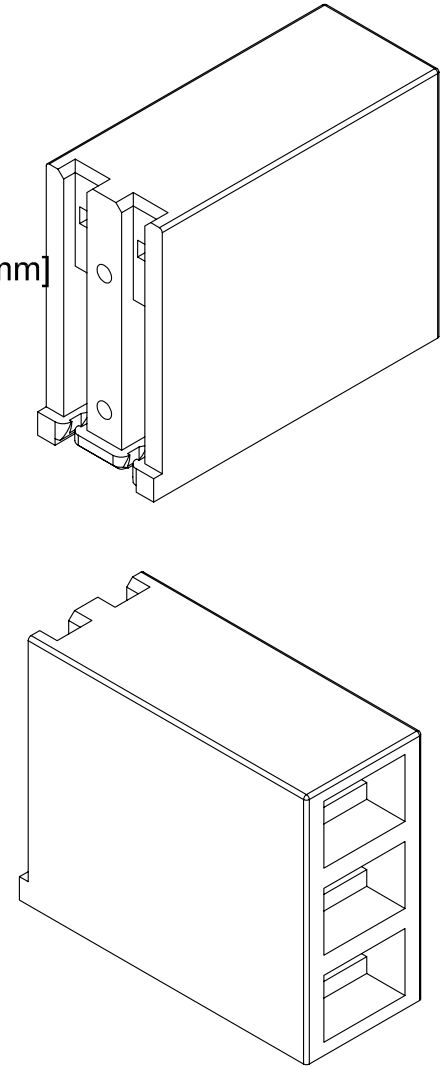
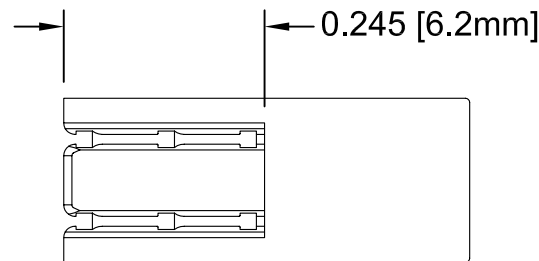
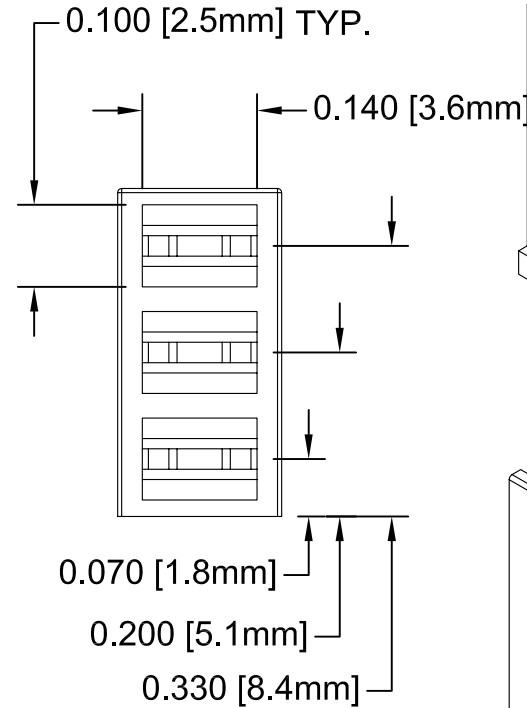
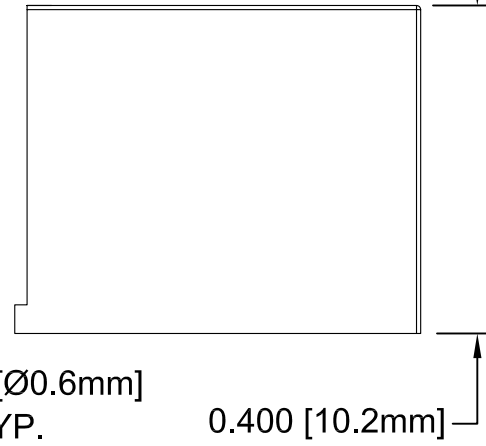
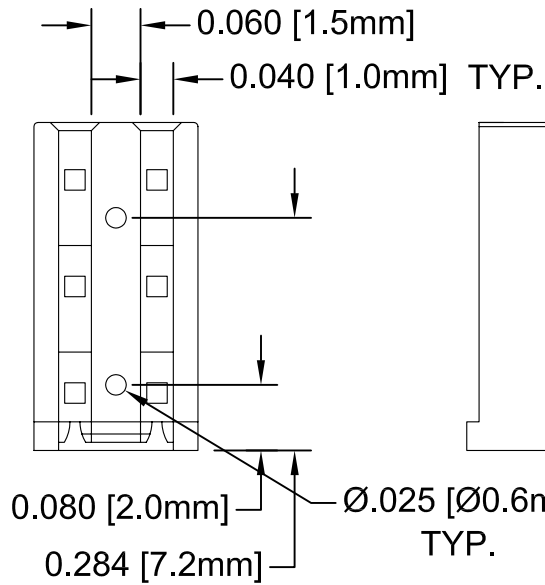
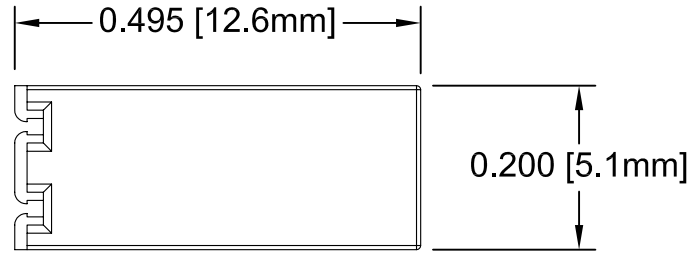


REV.	DESCRIPTION	DATE	APPROVED
A	Engineering Update w/o Changes	05/16/07	M. C.
B	Rear Plate Update	10/15/07	M. C.
C	Updated Title Block	02/07/08	M. C.



2. MATERIAL: NYLON 6/6, 94V-0, BLACK. BIVAR MATERIAL CODE 22-BK.
RTP POLYAMIDE NYLON 6/6, 0200 FR, BLACK OR MODIFIED PLASTICS MN6/6-SE BK.
1. GENERAL SPECIFICATIONS: BIVAR MOLDED COMPONENT SPECIFICATION BV00-E101.

STANDARD TOLERANCE (UNLESS OTHERWISE SPECIFIED)		BIVAR®	
DECIMALS	ANGULAR	4 THOMAS, IRVINE, CA. 92618	
.X ± .1	X° ± 1°	TEL: (949) 951-8808 FAX: (949) 951-3974	
.XX ± .01		TITLE: 3 High Holder for 1.8mm LEDs	
.XXX ± .005		PART NO: H-381C	REVISION: C
DESIGNED: Ty Yin	DATE: 10/15/07	CAGE CODE: 32559	SHEET # 1 OF 1
CHECKED: M. Chen	DATE: 10/15/07	CAD GENERATED DOCUMENT, DO NOT MEASURE DRAWING.	