

Features

- ▶ Part of the FlexRay™ electrical, physical layer
- ▶ Interface between the communication controller and the transfer medium (twisted pair bus line)
- ▶ Support of data rates up to 10 Mbit/s
- ▶ Enhanced diagnosis capability provided via SPI with interrupt generation
- ▶ Protection against overload damage by current limitation and overtemperature detection
- ▶ Bus driver outputs withstand - 27 V / + 40 V DC voltage
- ▶ Low EME due to balanced differential transmission

Brief Functional Description

The low cost basic FlexRay™ transceiver is part of the electrical, physical layer in a FlexRay™ communication network. The E910.54 provides an interface between the twisted pair physical bus medium and a communication controller (CC). An SPI interface connects the bus driver (BD) to a host controller (HOST) to provide status information concerning failure detection on the bus lines (e.g. short-circuits, ground loss) and overtemperature condition. An interrupt signal is generated whenever the failure status changes.

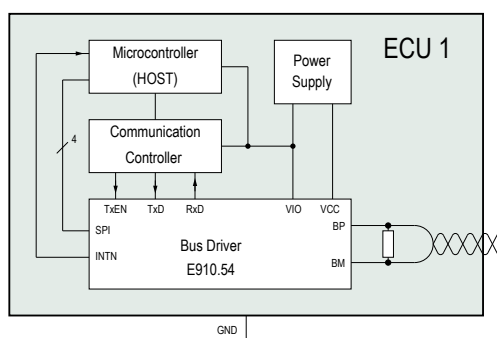
Applications

- ▶ Transceiver in FlexRay™ nodes (ECUs)

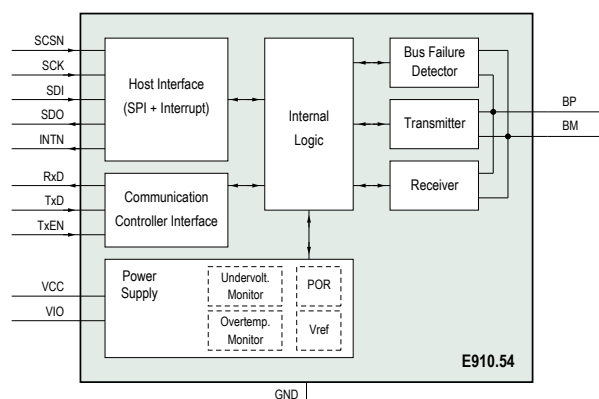


ELMOS is member of the FlexRay consortium

Typical Application



Blockdiagram



ELMOS Semiconductor AG – Headquarters

Heinrich-Hertz-Str. 1 | 44227 Dortmund | Germany
Phone +49 (0) 231-75 49-0 | Fax +49 (0) 231-75 49-149
sales@elmos.de | www.elmos.de

ELMOS Semiconductor AG – Munich Branch

Am Geflügelhof 12 | 85716 Unterschleissheim | Germany
Phone +49 (0) 89-318 370-30 | Fax +49 (0) 89-318 370-31
sales@elmos.de | www.elmos.de

ELMOS Semiconductor AG – Stuttgart Branch

Max-Eyth-Str. 35 | 71088 Holzgerlingen | Germany
Phone +49 (0) 70 31-63 19 91 | Fax +49 (0) 70 31-63 19 97
sales@elmos.de | www.elmos.de

MECHALESS Systems GmbH | A MEMBER OF THE ELMOS GROUP

Technologiepark Karlsruhe | Albert Nestler Str. 10 | 76131 Karlsruhe | Germany
Phone +49 - 721 - 62698 - 00 | Fax +49 - 721 - 62698 - 11
info@mechaless.com

ELMOS North America, inc.

32255 Northwestern Highway Suite 45 | Farmington Hills | MI 48334 | USA
Phone +1-248 865 32 00 | Fax +1-248 865 3203
sales-int@elmos.de | www.elmos.de

ELMOS France S.A.

64 bis rue Kléber | 92300 Levallois Perret | France
Phone +33 (0) 1-46 52 59 59 | Fax +33 (0) 1-42 42 95 54
sales-int@elmos.de | www.elmos.de

ELMOS Representative in Japan – MUSASHINO Corporation

Tohchiku Bldg. | 2-14-18 | Minato-ku | Tokyo 108-0023 | Japan
Phone +81-3-34 53-33 51 | Fax +81-3-34 53-33 50
info@musashinocorp.com

ELMOS Distribution Line – Channel Microelectronic GmbH

Alleenstr. 29/3 | 73730 Esslingen | Germany
Phone +49 - 711 - 930 721 - 30 | Fax +49 - 711 - 930 721 - 40
info@channel-microelectronic.de