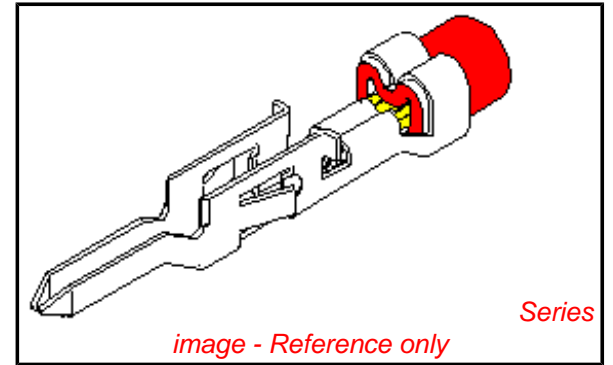


PLEASE CHECK WWW.MOLEX.COM FOR LATEST PART INFORMATION

Part Number: **0039000223**
Status: **Active**
Overview: [minifit_jr](#)
Description: 4.20mm (.165") Pitch Mini-Fit™ Crimp Terminal, Male, Phosphor Bronze, Gold (Au), 16 AWG, Reel

Documents:

| | |
|---|---|
| Test Summary (PDF) | Product Specification PS-5556-002 (PDF) |
| Drawing (PDF) | Product Specification PS-5556-003 (PDF) |
| Product Specification PS-5556-001 (PDF) | RoHS Certificate of Compliance (PDF) |



General

| | |
|-------------------------|----------------------------|
| Product Family | Crimp Terminals |
| Series | 5558 |
| Crimp Quality Equipment | Yes |
| Overview | minifit_jr |
| Product Name | Mini-Fit® |

Physical

| | |
|--------------------------------|--------------------------|
| Durability (mating cycles max) | 30 |
| Gender | Male |
| Material - Metal | Phosphor Bronze |
| Material - Plating Mating | Gold |
| Material - Plating Termination | Tin |
| Packaging Type | Reel |
| Termination Interface: Style | Crimp or Compression |
| Wire Insulation Diameter | 1.80-3.10mm (.071-.122") |
| Wire Size AWG | 16 |
| Wire Size mm² | N/A |

Electrical

| | |
|-------------------------------|------|
| Current - Maximum per Contact | 9A |
| Voltage - Maximum | 600V |

Material Info

| | |
|-----------------|-----------|
| Old Part Number | 5558PBGS3 |
|-----------------|-----------|

Reference - Drawing Numbers

| | |
|-------------------------|---------------------------------------|
| Packaging Specification | PK-5558-001 |
| Product Specification | PS-5556-001, PS-5556-002, PS-5556-003 |
| Sales Drawing | SD-5558-002 |
| Test Summary | TS-5556-002 |

| | |
|---|--|
| EU RoHS ELV and RoHS Compliant REACH SVHC Contains SVHC: No Halogen-Free Status Halogen-Free | China RoHS  |
|---|--|

Need more information on product environmental compliance?

Email productcompliance@molex.com
 For a multiple part number RoHS Certificate of Compliance, [click here](#)

Please visit the [Contact Us](#) section for any non-product compliance questions.

Search Parts in this Series

5558Series

Mates With

5556 Mini-Fit™ Crimp Terminal

Use With

5559 Mini-Fit Jr.™ Plug Housing, 30068 Mini-Fit TPA™ Plug Housing, 42475 Mini-Fit BMI™ Plug Housing

Application Tooling | FAQ

Tooling specifications and manuals are found by selecting the products below. Crimp Height Specifications are then contained in the Application Tooling Specification document.

Global

| Description | Product # |
|--|------------|
| FineAdjust™ Applicator for Mini-Fit Jr.™, Mini-Fit HCS™ Crimp Terminals, 16 AWG and smaller insulation | 0639015300 |

| | |
|--|-------------------|
| T2 Terminator Tooling Die | <u>0639102800</u> |
| FineAdjust™ Applicator | <u>0639002800</u> |
| FineAdjust™ Applicator | <u>0639003000</u> |
| T2 Terminator Tooling Die | <u>0639103000</u> |
| Extraction Tool | <u>0011030044</u> |
| Hand Crimp Tool for Mini-Fit™ Jr. Male and Female Crimp Terminals, 16-24 AWG | <u>0638190900</u> |

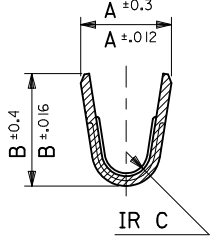
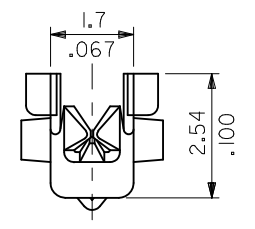
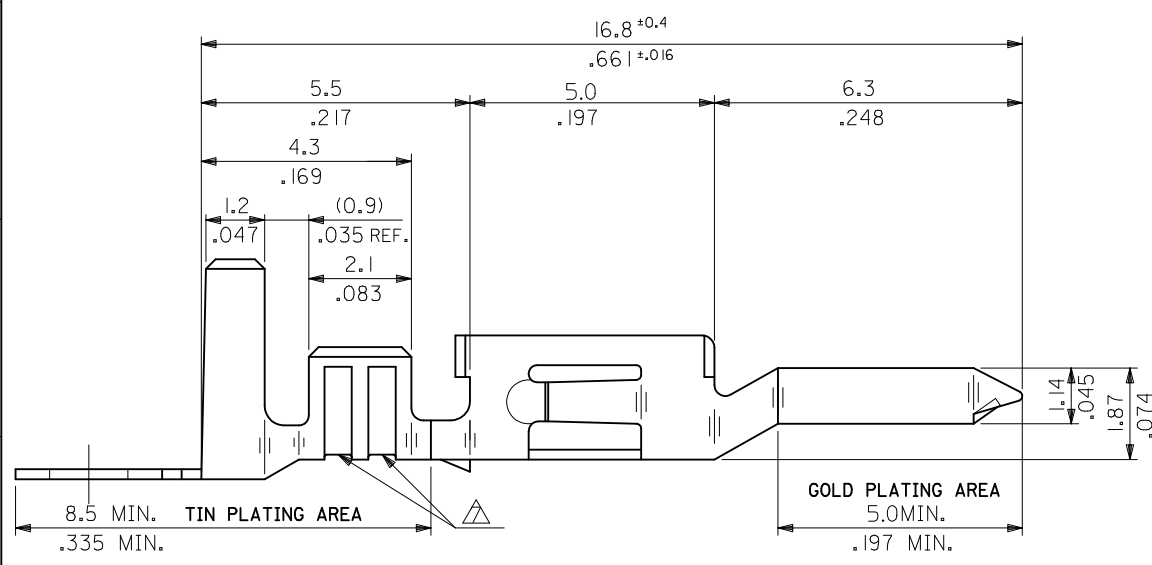
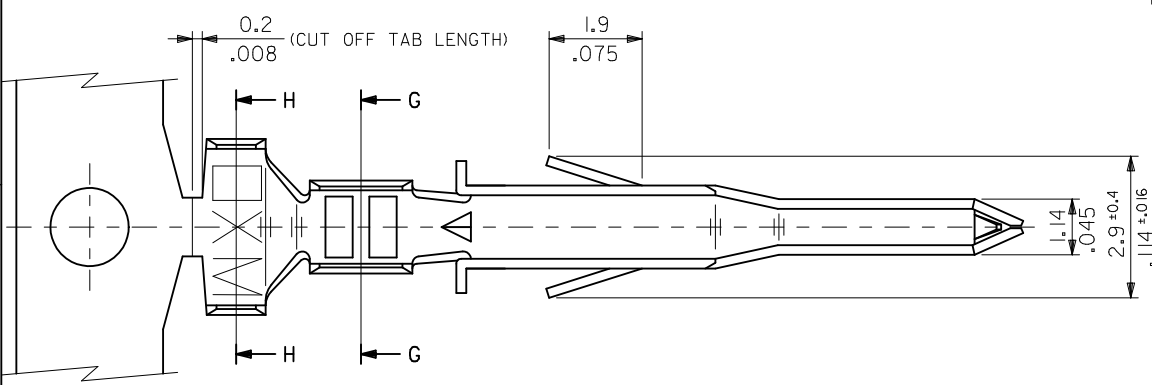
This document was generated on 06/01/2010

PLEASE CHECK WWW.MOLEX.COM FOR LATEST PART INFORMATION

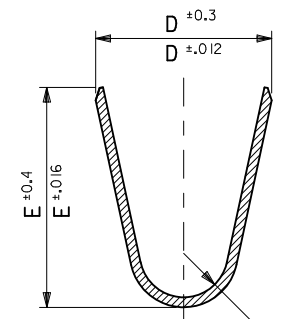
10 9 8 7 6 5 4 3 2 1

NOTES

1. MATERIAL: SEE CHART
2. FINISH: SEE CHART
3. PRODUCT SPECIFICATION: PS-5556-001, PS-5556-002, PS-5556-003.
4. PACKAGING SPECIFICATION: PK-5558-001 FOR CHAIN
PK-5556-003 FOR LOOSE
5. MATES WITH TERMINAL: 5556 SERIES.
6. APPLICABLE HOUSING: 5559, 30068, 42475 SERIES.
7. THE NUMBER OF SERRATIONS TO BE ONE FOR WIRE RANGE #22-28.
8. WHEN TERMINALS ARE INSTALLED IN THE HOUSING THE WIRES ARE TO BE DRESSED IN SUCH A MANNER TO ALLOW THE TERMINALS TO FLOAT FREELY IN THE POCKET.
9. THIS TERMINAL IS DESIGNED FOR SINGLE WIRE CRIMPING.
10. PART CONFORMS TO CLASS "B" REQUIREMENTS OF COSMETIC SPECIFICATION PS-45499-002.



SECT. G-G



SECT. H-H

| | | | | | | | | |
|---|---|--|--|-------------------|-------|--------------------|------------------------|--|
| UPDATE NOTES EC NO: UCP2010-2478 DRWN: J JAGUILAR 2010/04/06 CHKD: JBELL '92/05/21 APPR: FSMITH 2010/04/09 | QUALITY SYMBOLS F7=0 F7=0 F7=0 | GENERAL TOLERANCES (UNLESS SPECIFIED) | | DIMENSION STYLE | SCALE | DESIGN UNITS | THIRD ANGLE PROJECTION | |
| | | | | MM/IN | 10:1 | METRIC | | |
| | | | | DRAWN BY DATE | | TITLE | | |
| | | | | CHECKED BY DATE | | MATERIAL NO. | | |
| | | 2 PLACES ±0.20 ±.008 | | APPROVED BY DATE | | MOLEX INCORPORATED | | |
| | | 1 PLACE ±0.2 ±--- | | FSMITH 2010/04/09 | | DOCUMENT NO. | | |
| | | ANGULAR ± 3 ° | | SEE CHART | | SD-5558-002 | | |
| | | DRAFT WHERE APPLICABLE MUST REMAIN WITHIN DIMENSIONS | | SIZE B | | SHEET NO. 1 OF 2 | | |

9 8 7 6 5 4 3 2 1

| | | | | | | | | | | | | |
|-----------------|--|-------------|-------------|-------------|-------------|--------------|-------------|------------------------|------------|------------|-------------|-------|
| PHOSPHOR BRONZE | SELECTIVE GOLD 0.76µm /30m.i. MIN. AND SELECTIVE TIN 2.03µm /80m.i. MIN. OVER NICKEL 1.27µm /50m.i. MIN. | 0.9 .035 | 4.5 .177 | 3.6 .142 | 0.6 .024 | 2.7 .106 | 2.3 .091 | ∅ 3.1 .122 MAX. | # 16 | 39-00-0224 | 5558 PBGS3L | LOOSE |
| | | 0.6 .024 | 2.3 .091 | 2.3 .091 | 0.4 .016 | 1.65 .065 | 1.8 .071 | ∅ 0.9-1.8 .035-.071 | #22-28 | ↑ -0223 | ↑ PBGS3 | CHAIN |
| | | 0.6 .024 | 2.3 .091 | 2.3 .091 | 0.4 .016 | 1.65 .065 | 1.8 .071 | ∅ 0.9-1.8 .035-.071 | #22-28 | -0222 | PBGS2L | LOOSE |
| | | 0.9 .035 | 4.5 .177 | 3.6 .142 | 0.5 .020 | 2.3 .091 | 1.9 .075 | ∅ 1.3-3.1 .051-.122 | # 18-24 | -0221 | PBGS2 | CHAIN |
| | | 0.9 .035 | 4.5 .177 | 3.6 .142 | 0.5 .020 | 2.3 .091 | 1.9 .075 | ∅ 1.3-3.1 .051-.122 | # 18-24 | -0220 | PBGS1 | LOOSE |
| | | 0.9 .035 | 4.5 .177 | 3.6 .142 | 0.5 .020 | 2.3 .091 | 1.9 .075 | ∅ 1.3-3.1 .051-.122 | # 18-24 | -0219 | PBGS | CHAIN |
| | | 0.9 .035 | 4.5 .177 | 3.6 .142 | 0.6 .024 | 2.7 .106 | 2.3 .091 | ∅ 3.1 .122 MAX. | # 16 | -0148 | GS9L | LOOSE |
| | | 0.6 .024 | 2.3 .091 | 2.3 .091 | 0.4 .016 | 1.65 .065 | 1.8 .071 | ∅ 0.9-1.8 .035-.071 | #22-28 | ↓ -0147 | GS9 | CHAIN |
| | | 0.6 .024 | 2.3 .091 | 2.3 .091 | 0.4 .016 | 1.65 .065 | 1.8 .071 | ∅ 0.9-1.8 .035-.071 | #22-28 | ↓ -0146 | GS8L | LOOSE |
| | | 0.9 .035 | 4.5 .177 | 3.6 .142 | 0.5 .020 | 2.3 .091 | 1.9 .075 | ∅ 1.3-3.1 .051-.122 | # 18-24 | 39-00-0145 | GS8 | CHAIN |
| | | 0.9 .035 | 4.5 .177 | 3.6 .142 | 0.5 .020 | 2.3 .091 | 1.9 .075 | ∅ 1.3-3.1 .051-.122 | # 18-24 | 40-13-0854 | GS7L | LOOSE |
| | | 0.9 .035 | 4.5 .177 | 3.6 .142 | 0.5 .020 | 2.3 .091 | 1.9 .075 | ∅ 1.3-3.1 .051-.122 | # 18-24 | 40-13-0853 | GS7 | CHAIN |
| BRASS | SELECTIVE GOLD 0.38µm /15m.i. MIN. AND SELECTIVE TIN 2.03µm /80m.i. MIN. OVER NICKEL 1.27µm /50m.i. MIN. | 0.9 .035 | 4.5 .177 | 3.6 .142 | 0.6 .024 | 2.7 .106 | 2.3 .091 | ∅ 3.1 .122 MAX. | # 16 | 39-00-0100 | GS6L | LOOSE |
| | | 0.6 .024 | 2.3 .091 | 2.3 .091 | 0.4 .016 | 1.65 .065 | 1.8 .071 | ∅ 0.9-1.8 .035-.071 | #22-28 | ↑ -0099 | GS6 | CHAIN |
| | | 0.6 .024 | 2.3 .091 | 2.3 .091 | 0.4 .016 | 1.65 .065 | 1.8 .071 | ∅ 0.9-1.8 .035-.071 | #22-28 | -0098 | GS5L | LOOSE |
| | | 0.6 .024 | 2.3 .091 | 2.3 .091 | 0.4 .016 | 1.65 .065 | 1.8 .071 | ∅ 0.9-1.8 .035-.071 | #22-28 | -0097 | GS5 | CHAIN |
| | | 0.9 .035 | 4.5 .177 | 3.6 .142 | 0.5 .020 | 2.3 .091 | 1.9 .075 | ∅ 1.3-3.1 .051-.122 | # 18-24 | -0076 | GS4L | LOOSE |
| | | 0.9 .035 | 4.5 .177 | 3.6 .142 | 0.5 .020 | 2.3 .091 | 1.9 .075 | ∅ 1.3-3.1 .051-.122 | # 18-24 | -0075 | GS4 | CHAIN |
| | SELECTIVE GOLD 0.76µm /30m.i. MIN. AND SELECTIVE TIN 2.03µm /80m.i. MIN. OVER NICKEL 1.27µm /50m.i. MIN. | 0.9 .035 | 4.5 .177 | 3.6 .142 | 0.6 .024 | 2.7 .106 | 2.3 .091 | ∅ 3.1 .122 MAX. | # 16 | -0096 | GS3L | LOOSE |
| | | 0.6 .024 | 2.3 .091 | 2.3 .091 | 0.4 .016 | 1.65 .065 | 1.8 .071 | ∅ 0.9-1.8 .035-.071 | #22-28 | -0095 | GS3 | CHAIN |
| | | 0.6 .024 | 2.3 .091 | 2.3 .091 | 0.4 .016 | 1.65 .065 | 1.8 .071 | ∅ 0.9-1.8 .035-.071 | #22-28 | -0433 | GS2L7F | LOOSE |
| | | 0.6 .024 | 2.3 .091 | 2.3 .091 | 0.4 .016 | 1.65 .065 | 1.8 .071 | ∅ 0.9-1.8 .035-.071 | #22-28 | -0432 | GS27F | CHAIN |
| | | 0.9 .035 | 4.5 .177 | 3.6 .142 | 0.5 .020 | 2.3 .091 | 1.9 .075 | ∅ 1.3-3.1 .051-.122 | # 18-24 | ↓ -0431 | ↓ GSL7F | LOOSE |
| | | 0.9 .035 | 4.5 .177 | 3.6 .142 | 0.5 .020 | 2.3 .091 | 1.9 .075 | ∅ 1.3-3.1 .051-.122 | # 18-24 | 39-00-0430 | 5558 GS7F | CHAIN |
| MATERIAL | FINISH | F | E | D | C | B | A | INS. RANGE | WIRE RANGE | EDP NO. | ENG NO. | FORM |

| | | | | | | | | | | | |
|---|--------------------------------------|--|--|-----------------|--|--------------|--------------|------------------------|--------|---|--|
| UPDATE TITLE BLOCK EC NO: UCP2010-2478 DRWN: J JAGUILAR 2010/04/06 CHKD: JBELL '92/05/21 APPR: FSMITH 2010/04/09 REV E1 | QUALITY SYMBOLS ∇=0 ∇=0 ∇=0 | GENERAL TOLERANCES (UNLESS SPECIFIED) | | DIMENSION STYLE | | SCALE | DESIGN UNITS | THIRD ANGLE PROJECTION | | | |
| | | mm | | INCH | | MM/IN | | 10:1 | METRIC | | |
| | | DRAWN BY | | DATE | | DRAWN BY | | DATE | | TITLE | |
| | | H.HIRAMOTO | | '91/03/13 | | M.FUKUSHIMA | | '92/05/21 | | MINI-FIT JR SELECT GOLD MALE CRIMP TERMINAL -LEAD FREE- | |
| CHECKED BY | | DATE | | APPROVED BY | | DATE | | MATERIAL NO. | | | |
| M.FUKUSHIMA | | '92/05/21 | | FSMITH | | 2010/04/09 | | SEE CHART | | | |
| ANGULAR ± 3 ° | | DRAFT WHERE APPLICABLE MUST REMAIN WITHIN DIMENSIONS | | MATERIAL NO. | | DOCUMENT NO. | | SHEET NO. | | | |
| | | | | | | SD-5558-002 | | 2 OF 2 | | | |
| THIS DRAWING CONTAINS INFORMATION THAT IS PROPRIETARY TO MOLEX INCORPORATED AND SHOULD NOT BE USED WITHOUT WRITTEN PERMISSION | | | | | | | | | | | |