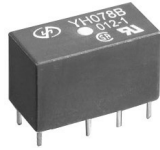




**Main Features**

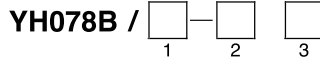
- Low profile and light weight
- Highly reliable performance
- DIL configuration and for use with DIP socket



**Typical Applications**

- Telecommunication instruments
- Office machine
- Computer peripherals
- Industrial process control
- Remote control

**Ordering Information**



**1. Coil Voltage Code**

Please refer to the Coil Voltage Code in Coil Data section

**2. Version**

1: Sealed

**3. Coil Sensitivity**

**None:** 0.515 – 0.56W (Standard)  
**M:** 0.36W  
**H:** 0.2W (For coil 48VDC: 0.3W)  
**L:** 0.15W

**Coil Data**

Type	Coil Voltage Code	Nominal Voltage (VDC)	Resistance (Ω)	Must Operate Voltage max. (VDC)	Allowable Operate Voltage Range (VDC)	Non-Operate/ Hold Voltage (VDC)	Must Release Voltage min. (VDC)
0.515-0.56W (Standard)	003	3	18 ± 1.8	2.25	2.25 - 4.93	1.05	0.15
	0045	4.5	36 ± 2.9	3.4	3.4 - 7.0	1.125	0.225
	005	5	45 ± 3.6	3.8	3.8 - 7.8	1.25	0.25
	006	6	70 ± 5.6	4.5	4.5 - 9.7	1.5	0.3
	012	12	280 ± 22	9.0	9.0 - 19.4	3	0.6
	024	24	1070 ± 107	18.0	18.0 - 37.6	6	1.2
M 0.36W	048	48	4300 ± 430	36.0	36.0 - 74.2	12	2.4
	003	3	25 ± 2.5	2.25	2.25 - 5.7	1.05	0.15
	005	5	70 ± 6	3.75	3.75 - 9.72	1.75	0.25
	006	6	100 ± 8	4.5	4.5 - 11.62	2.1	0.3
	012	12	400 ± 40	9.0	9.0 - 23.24	4.2	0.6
	024	24	1600 ± 160	18.0	18.0 - 46.47	8.4	1.2
H 0.2W	048	48	6400 ± 600	36.0	36.0 - 92.94	16.8	2.4
	003	3	50 ± 5	2.25	2.25 - 7.5	1.05	0.24
	005	5	125 ± 7	3.8	3.8 - 12.5	1.25	0.4
	006	6	180 ± 10	4.5	4.5 - 15.0	1.5	0.48
	009	9	405 ± 41	6.8	6.8 - 27.5	6.75	0.72
	012	12	720 ± 72	9.0	9.0 - 30	9	0.96
0.3W	024	24	2880 ± 288	18.0	18.0 - 60	18	1.92
	048	48	7680 ± 680	36.0	36.0 - 100	16.8	4.8
L 0.15W	003	3	70 ± 6	2.25	2.25 - 9.72	1.05	0.24
	0045	4.5	135 ± 11	3.4	3.4 - 13.5	1.125	0.36
	005	5	167 ± 13	3.8	3.8 - 15	1.25	0.4
	006	6	240 ± 19	4.5	4.5 - 18	1.5	0.48
	009	9	540 ± 54	6.8	6.8 - 27	2.25	0.72
	012	12	960 ± 96	9.0	9.0 - 35.6	3	0.96
	018	18	2160 ± 216	13.5	13.5 - 53.4	4.5	1.44
	024	24	3840 ± 384	18.0	18.0 - 70.1	6	1.92

**Contact Rating**

<b>Form</b>	2 Form C (2Z), crossbar contacts
<b>Max. Continuous Current</b>	2A
<b>Switching Voltage Range</b>	10mVAC -125VAC; 10mVDC -150VDC
<b>Switching Current Range</b>	1mA - 1.25A
<b>Switching Power Range</b>	10μW - 30W/50VA

**Contact Data**

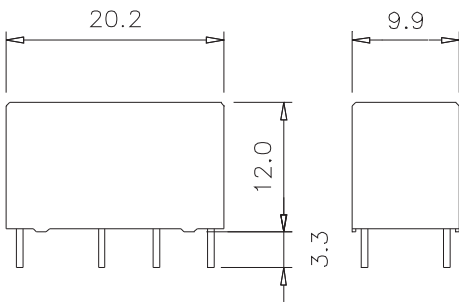
<b>Material</b>	AgNi + Au clad	
<b>Initial Contact Resistance</b>	50mΩ max at 1mA 20mV, 1KHz, meets DIN 41640 Part 4	
<b>Service Life</b>	<b>Mechanical</b>	2 x 10 <sup>7</sup> ops.
	<b>Electrical</b>	0.14A, 100VDC, 10 <sup>6</sup> ops; 1mA, 20mVAC, 1KHz, 2 x 10 <sup>6</sup> ops; 2.4mA, 48VDC, 2 x 10 <sup>6</sup> ops.

YH078B

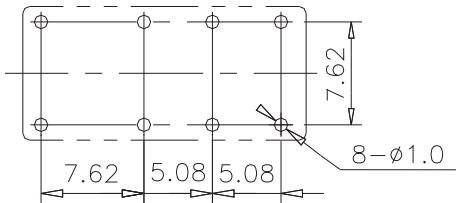
**Characteristics**

Type	Standard	Sensitive (M, H, L)
Operate Time	7.5ms. max.	7.5ms. max.
Operate Bounce	1ms. typical	0.5ms. typical
Release Time	3ms. max.	5ms. max.
Release Bounce	2.5ms. typical	3ms. typical
Insulation Resistance	1,000M $\Omega$	
Dielectric Strength	Between coil and contacts: 1,000Vrms, 1Min. Between adjacent poles: 1,000Vrms, 1Min. Between open contacts: 500Vrms, 1Min.	
Surge Resistance	1,500V (FCC Part 68 compliant)	
Capacitance	Between coil and contacts: 5pf max. Between contacts: 2pf max. Between adjacent poles: 0.5pf max.	
Shock Resistance	50g, 11ms.	
Vibration Resistance	10g, 10-70 Hz	
Power Consumption	0.515-0.56W	0.15-0.36W
	Max. allowable at 20°C: 1.02W	
Ambient Temperature	-25°C to 75°C	-25°C to 85°C
Weight	5g approx.	

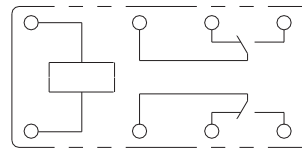
**Overall Dimensions (mm)**



**Mounting Holes (Bottom View) (mm)**



**Wiring Diagram (Bottom View)**



Note: 1. All parameters, unless otherwise specified, are measured at ambient temperature 20°C.