

Gemicom Technology, Inc.



Product specifications

802.11 b/g/n USB module

Model Number: WUN-11P

**Revision 1.0
September 16, 2009**

Gemicom Technology, Inc.

TABLE OF CONTENTS

Introduction.....	2
Product Features.....	2
Block Diagram	3
RF Characteristics.....	3
Software Feature	4
Security	4
Operating Conditions.....	4
Antenna Connector	5
Pin Definition	6
Mechanical Drawing	6

Introduction

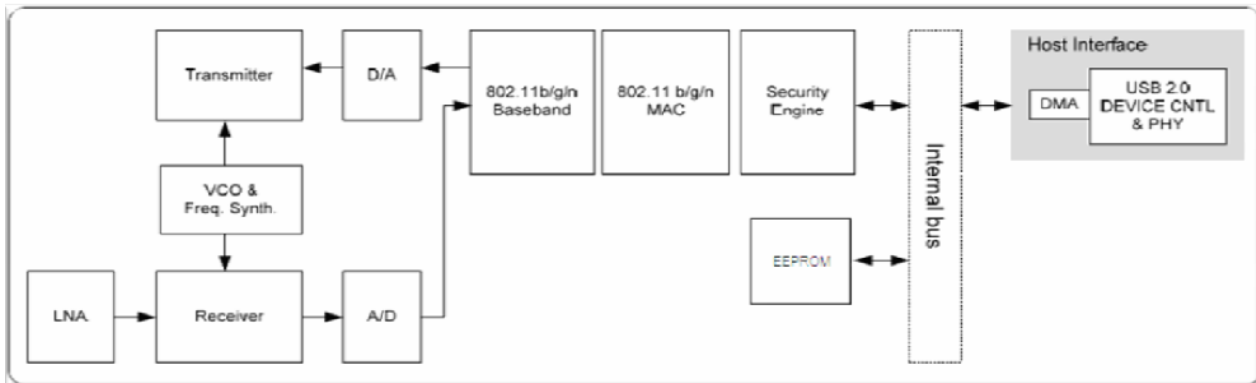
This document is to specify the product WUN-11P requirements for 802.11 b/g/n USB module. The USB module is based on Ralink 3070 chip solution. The WUN-11P complied with IEEE 802.11n and IEEE 802.11 b/g standards.

Product Features

- Highly integrated MIMO 1T1R Ralink RT3070 MAC/BBP/RF solution
- Fully comply with IEEE 802.11n and 802.11 b/g standards
- Wireless data rate up to 150 Mbps
- Multiple BSSID support
- Low power solution with Advanced Power Management
- 64/128-bit WEP, TKIP, AES hardware encryption, WPA, WPA2
- One U.FL I-PEX antenna connector
- Support Linux driver and utility, Windows OS versions

Block Diagram

RT3070 is a highly integrated MAC/BBP and 2.4G RF single chip solution. It enables the entire 802.11n WLAN solution to fit on a tiny USB module design.



RF Characteristics

Output TX Power

	Typ.	Power Consumption
Output Tx Power (CCK)	17.5 dBm	
Output Tx Power (OFDM)	14.0 dBm	
Output Tx Power (MCS0)	17.5 dBm	
Output Tx Power (MCS7)	14.0 dBm	
Tx Supply Current (11b 1Mb)	265 mA	875 mW
Tx Supply Current (11g 6Mb)	255 mA	842 mW
Tx Supply Current (11n 150Mb)	245 mA	809 mW

Rx Sensitivity

	Typ.	Power Consumption
Rx Sensitivity (11b 11Mb)	-86 dBm	
Rx Sensitivity (11g 54Mb)	-71 dBm	
Rx Sensitivity (11n 150Mb)	-63 dBm	
Rx Supply Current (11b 11Mb)	140 mA	462 mW
Rx Supply Current (11g 54Mb)	150 mA	495 mW
Rx Supply Current (11n 150Mb)	190 mA	627 mW

Software Feature

- Support Cisco CCX
- IEEE 802.11 compliant power saving including the Automatic Power Save Delivery (APSD) feature defined in the 802.11e update.
- Support EDCF of the 802.11e/WMM specifications.

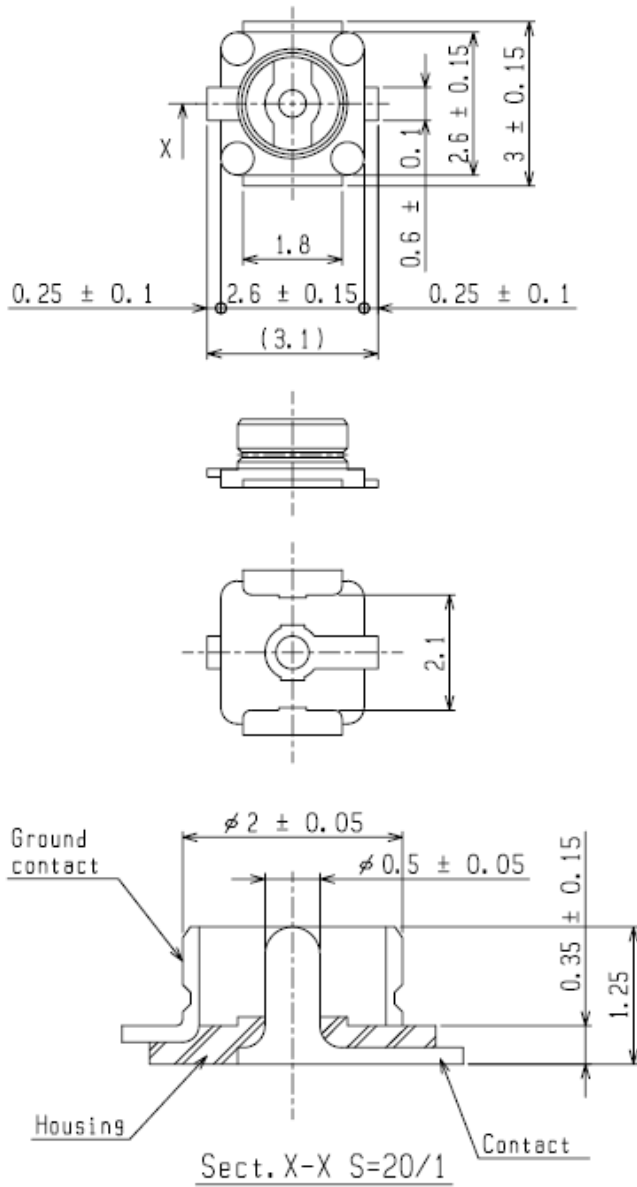
Security

- 64/128 bit WEP encryption
- 802.1x authentication
- 802.1x WPA-PSK and TKIP, WPA2
- IEEE 802.11i
- Cisco certified Extensions, all versions through V5

Operating Conditions

Voltage	3.3V \pm 0.3V
Temperature (Operating)	-10°C - 65°C
Temperature (Storage)	-10°C - 85°C
Humidity (Operating)	Max. 95% (Non-Condensing)
Humidity (Storage)	Max. 95% (Non-Condensing)

Antenna Connector



Pin Definition

PIN #	SIGNAL	ADDITIONAL
1	VCC	3.3V supply
2	Data -	
3	Data +	
4	GND	Ground
5	WLAN LINK	LED link
6	Reserved	Low to disable RF

Mechanical Drawing

Dimension: 34 (L) x 15 (W) mm

