

AMPEREX TUBE TYPE **0A2**

The 0A2 is a two electrode, inert gas filled, cold cathode tube for use in voltage regulator applications.

ELECTRICAL DATA

Operating voltage (nominal)	150 volts
Anode breakdown voltage with illumination of 50-500 ft. candles	180 volts max.
Anode breakdown in complete darkness	225 volts max.
Regulation (Plt. Current = 5-30 ma)	6 volts max.

MECHANICAL DATA

Mounting position	any
Base (JETEC base designation)	5B0, 7 pin miniature
Max. overall length	2 5/8 inches
Max. diameter	3/4 inch

MAXIMUM RATINGS (absolute values)

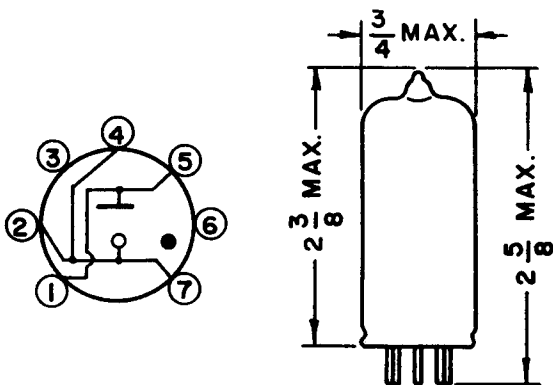
Minimum D.C. anode supply voltage ¹	185 volts
Maximum average starting current	75 ma
Maximum averaging time	10 seconds
Maximum D.C. Cathode current	30 ma
Minimum D.C. Cathode current	5 ma
Maximum frequency ²	0 cycles/sec.
Max. shunt capacitor ³	0.1 uf
Ambient temperature limits	-55 ⁰ to +90 ⁰ C

¹ Supply voltage necessary to insure starting throughout tube life with an illumination of 50-500 foot candles.

² Tube used so that cathode cannot become positive and anode negative.

³ In order to prevent parasitic oscillation, the value of a capacitor in parallel with the tube should be limited to 0.1 uf.

0A2



- PIN NO. 1 = ANODE
- PIN NO. 2 = CATHODE
- PIN NO. 3 = INTERNALLY CONNECTED
- PIN NO. 4 = CATHODE
- PIN NO. 5 = ANODE
- PIN NO. 6 = INTERNALLY CONNECTED
- PIN NO. 7 = CATHODE

