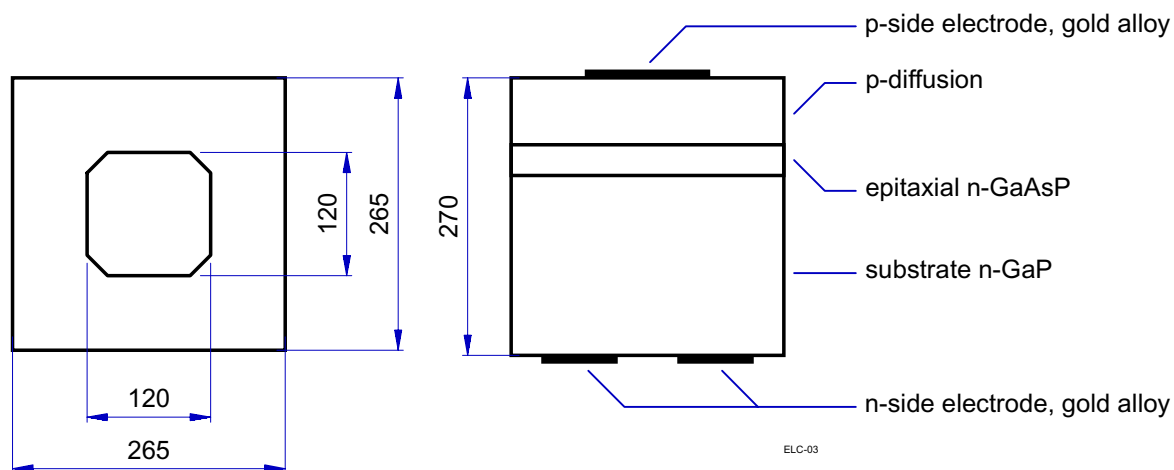


Color	Type	Technology	Electrodes
Orange	ELC-635-13	GaAsP/GaP	P (anode) up

**Outline** (dimensions in microns)**Optical and Electrical Characteristics**

$T_{amb} = 25^{\circ}\text{C}$ , unless otherwise specified

Parameter	Test Conditions	Symbol	Min	Typ	Max	Unit
Forward voltage	$I_F = 20 \text{ mA}$	$V_F$		2.1	2.5	V
Reverse voltage	$I_R = 10 \mu\text{A}$	$V_R$	5			V
Luminous intensity	$I_F = 20 \text{ mA}$	$I_V$	3	5		mcd
Peak wavelength	$I_F = 20 \text{ mA}$	$\lambda_p$		635		nm
Dominant wavelength	$I_F = 20 \text{ mA}$	$\lambda_D$	612	622	628	nm
Spectral bandwidth at 50%	$I_F = 20 \text{ mA}$	$\Delta\lambda_{0.5}$	35	40	45	nm

**Labeling**

Type	Lot N°	$I_V$ (typ, min, max)	Quantity
ELC-635-13			

**Packing**

Chips on adhesive film with wire-bond side on top