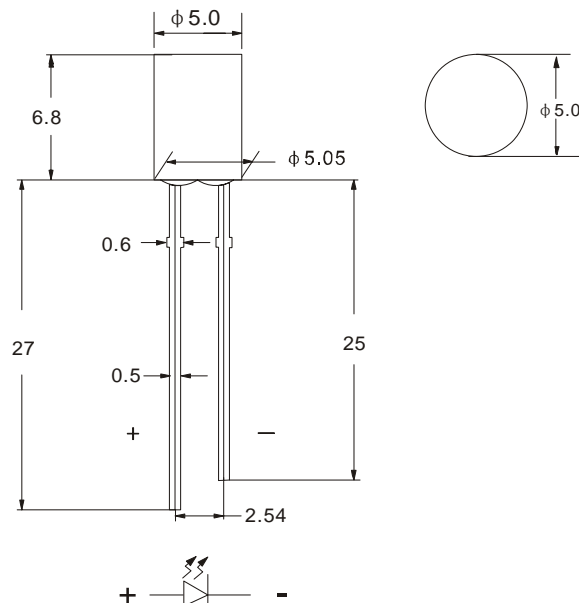


品名: 5W4VC-QXXXX

单位: mm



NOTE:TOLERANCE ±0.5mm

Parameter	Symbol	Min.	Typ.	Max.	Unit	Test Condition			
Luminous Intensity	I <sub>v</sub>	600		850	mcd	I <sub>f</sub> =20mA			
Viewing Angle	2 θ 1/2	110		120	Deg				
Forward Voltage	V <sub>f</sub>	2.8		4.0	V	I <sub>f</sub> =20mA			
Reverse Current	I <sub>R</sub>		10		μ A	V <sub>R</sub> =5V			
BIN Grade	Top		Right		Bottom		Left		
	X	Y	X	Y	X	Y	X	Y	
BIN	A	0.23	0.23	0.24	0.20	0.22	0.17	0.20	0.19
BIN	B	0.25	0.25	0.26	0.23	0.24	0.20	0.23	0.23
BIN	C	0.27	0.29	0.29	0.26	0.26	0.23	0.25	0.25
BIN	D	0.29	0.32	0.32	0.30	0.29	0.26	0.27	0.29
BIN	E	0.32	0.36	0.34	0.34	0.32	0.30	0.29	0.32

■ ABSOLUTE MAXIMUM RATINGS: (Ta = 25°C)

■ OPERATING TEMPERATURE: -40°C TO +80°C

■ LEAD SOLDERING: 260°C FOR 5 SECONDS