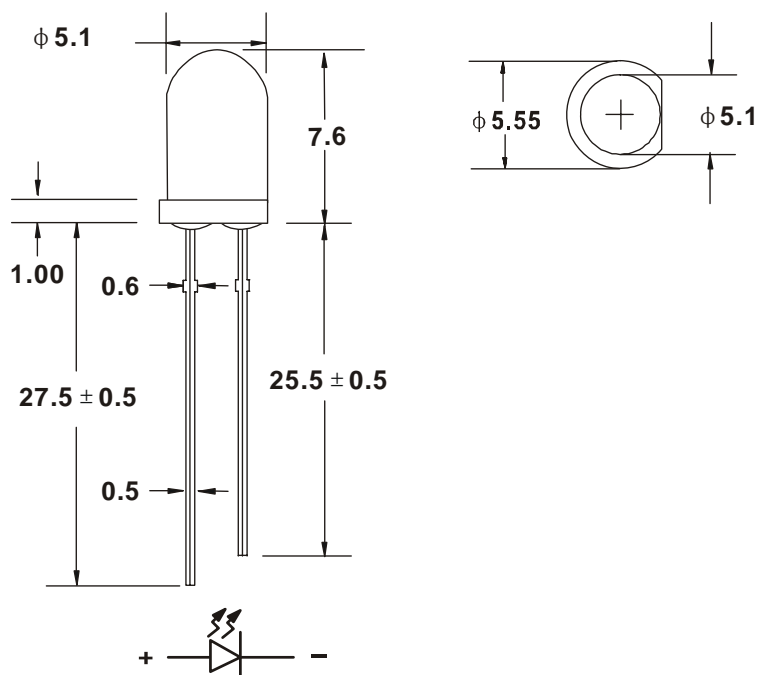


品名: 5W4VC-I25I

单位: mm

NOTE:TOLERANCE  $\pm 0.5$ mm

Parameter	Symbol	MIN.	TYP.	MAX.	UNIT	TEST CONDITION
Forward Voltage	$V_F$	3.0	3.1	3.5	V	$I_F=20\text{mA}$
Recommend Forward Current	$I_F(\text{Rec})$		20		mA	
Reverse Current	$I_R$			10	$\mu\text{A}$	$V_R=5\text{V}$
Luminous Intensity	$I_V$		1200		mcd	$I_F=20\text{mA}$
Peak Wavelength	$\lambda_p$		B/Y		nm	
Peak Forward Current	$I_f(\text{Peak})$			200	mA	
Power dissipation	$P_d$		100		mW	$I_F=20\text{mA}$
View Angle	$2\theta_{1/2}$		30		deg	$I_F=20\text{mA}$

■ ABSOLUTE MAXIMUM RATINGS: ( $T_a = 25^\circ\text{C}$ )

■ OPERATING TEMPERATURE:  $-40^\circ\text{C}$  TO  $+80^\circ\text{C}$

■ LEAD SOLDERING:  $260^\circ\text{C}$  FOR 5 SECONDS