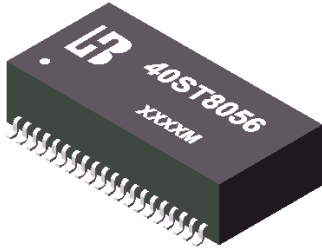


40 PIN SMD ETHERNET 10-BASE T QUAD PORT TRANSFORMER

P/N: 40ST8056 DATA SHEET

Feature

- Operating temperature range : 0°C to +70°C.
- Storage temperature range: -25°C to +125°C.



Electrical Specifications @ 25°C

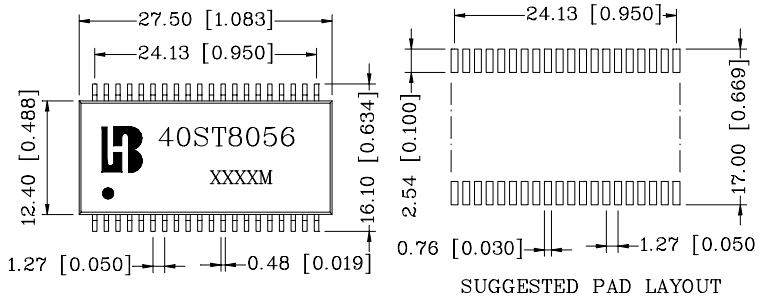
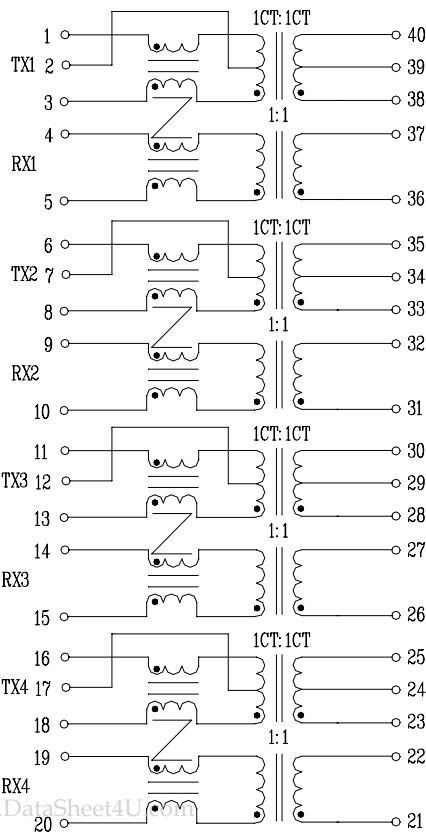
Part Number	Turns Ratio (±3%)		OCL (μ H Min) @10KHz/10mV	Pri L.L (μ H Max) @1MHz Min /Sec short	Cw/w (pF Max)	DCR (Ω Max)	HI-POT (Vrms)
	TX	RX					
40ST8056	1CT:1CT	1:1	140	0.55	20	0.9	1500

Continue

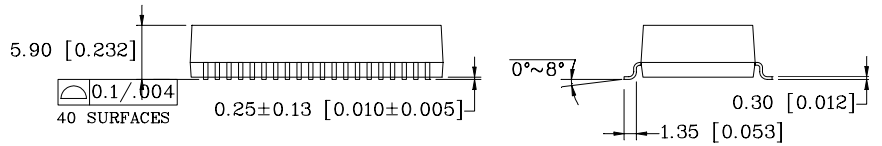
Part Number	PHASING			
	21,20 AND 23,18	26,15 AND 28,13	31,10 AND 33,8	36,5 AND 38,3
40ST8056	IN-PHASE	IN-PHASE	IN-PHASE	IN-PHASE

Schematic

Mechanical



SUGGESTED PAD LAYOUT



Units: mm[Inches] Tolerance: xx.x0±0.25[0.010]
0.xx±0.05[0.002]