

# LED DATA SHEET

Part No.	WR148UW/D		
Emitted Color	Ultra Super White	Len's Color	Diffused
Chip Materia	InGaN/GaN		

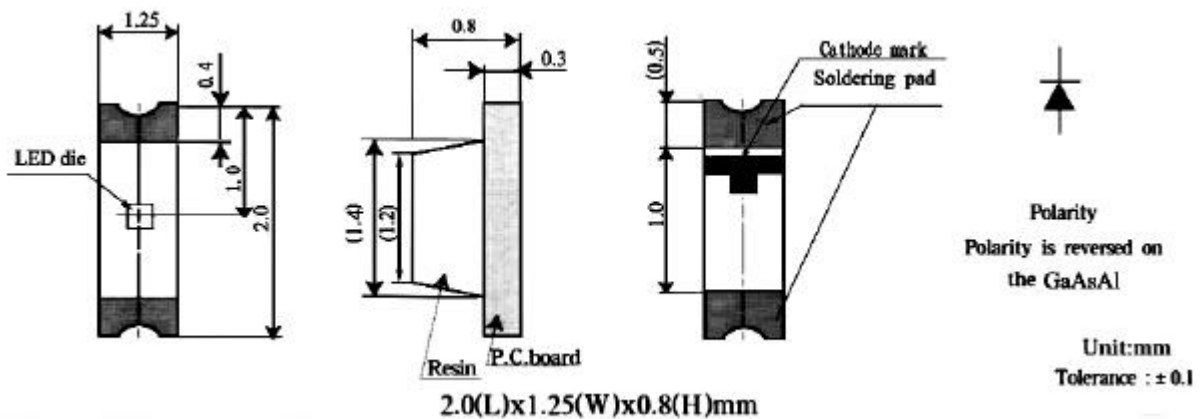
### Features:

Compatible with automatic placement equipment  
Compatible with reflow solder process  
Low power consumption and wide viewing angle

### Applications:

Automotive and Telecommunication  
Flat backlight for LCD ,switch and symbol in telephone and fax  
General use for indicators

### Package Dimensions:



### Note:

- All dimensions are in millimetres (mm)
- Tolerance is  $\pm 0.1$ mm unless otherwise noted

**Absolute Maximum Rating ( Ta=25 )**

Parameter	Symbol	Max.	Unit
Power Dissipation	$P_M$	70	Mw
Pulse Forward Current (1/10 duty and 0.1msec width)	$I_{FP}$	50	mA
Continuous Forward Current	$I_F$	20	mA
Reverse Voltage	$V_R$	5	V
Operating Temperature Range	$T_{opr}$	-40 ~ 85	
Storage Temperature Range	$T_{stg}$	-40 ~ 100	
Reflow Soldering : 250 , 5sec , max ----- Pay attention to electrostatic ( ESD )			

**Electrical Optical Characteristics ( Ta=25 )**

Parameter	Symbol	Min.	Typ.	Max.	Unit	Test Condition
Luminous Intensity	$I_V$	--	250	--	mcd	$I_F=20mA$
Forward Voltage	$V_F$	--	3.3	4.0	V	$I_F=20mA$
Reverse Current	$I_R$	--		10	$\mu A$	$V_R=5V$
Chromaticity Coordinates	x	--	0.27	--	nm	$I_F=20mA$
	y	--	0.28	--	nm	
Viewing Angle	$2\ 1/2$	--	135	--	Deg.	$I_F=20mA$

BIN Code	N	P	Q	R	S
Luminous Intensity @ $I_F=10mA$	130~160	160~200	200~250	250~320	320~400

**Classing Marking:**

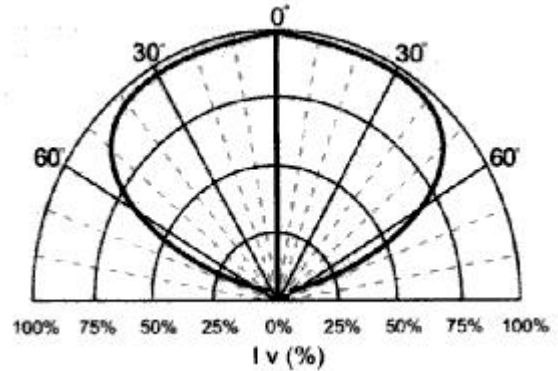
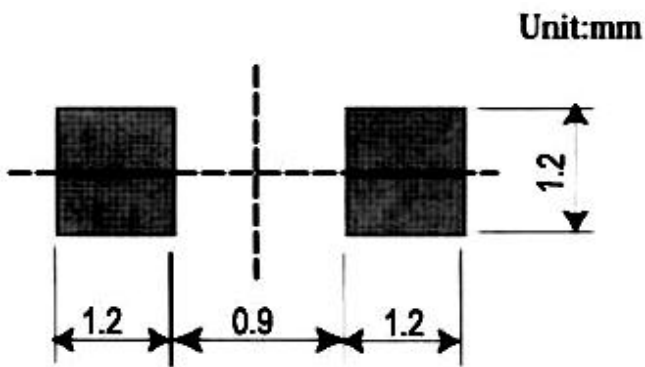
For example

<b>HOBMQ</b>
--------------

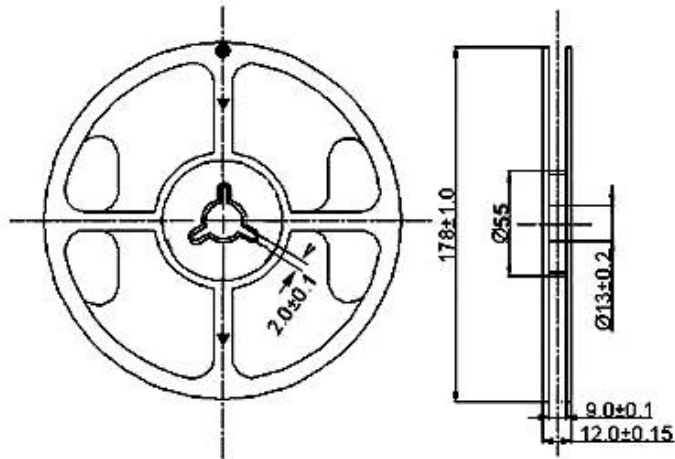
Code Order : Voltage—O—Chromaticity Coordinates—Luminous Intensity

Soldering Pad Dimensions:

Viewing Pattern



Package Tape Specifications: 3000 pcs/reel



Unit:mm

