



# Series 518 Surface Mount Open Frame Collet Sockets

## FEATURES:

- Open frame allows for more efficient utilization of board space and better cooling.
- Compatible with automatic insertion equipment.
- Side-to-side and end-to-end stackable.

## SPECIFICATIONS:

- Body material is black UL 94V-0 4/6 Nylon.
- Pin body is Brass Alloy 360 1/2 hard per UNS C36000 ASTM-B16-85.
- Pin body plating is 200 $\mu$  [5.08 $\mu$ m] min. 93/7 Tin/Lead per MIL-P-81728 over 100 $\mu$  [2.54 $\mu$ m] min. Nickel per QQ-N-290.
- 4-fingered collet contact is Beryllium Copper Alloy per UNS C17200 ASTM-B194-92.
- Contact plating is 10 $\mu$  [.25 $\mu$ m] Gold per MIL-G-45204 over 50 $\mu$  min. [1.27 $\mu$ m] Nickel per QQ-N-290.
- Contact current rating=3 Amps.
- Operating temperature=221°F [105°C].
- Insertion Force=180 grams/pin; Withdrawal Force=90 grams/pin; Normal Force=140 grams/pin; based on a .018 [.46] dia. test lead.
- Accepts leads .015-.025 [.38-.64] in diameter, .100-.125 [2.54-3.18] long.

## MOUNTING CONSIDERATIONS:

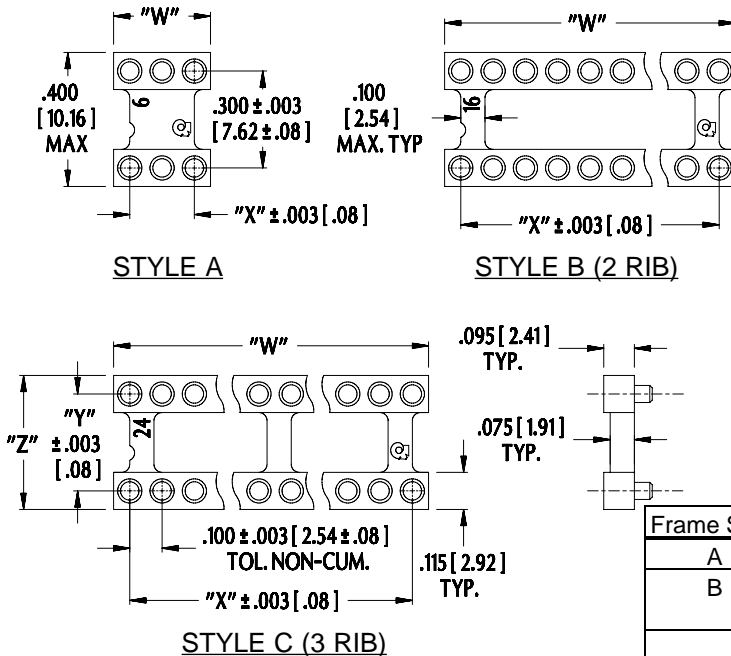
- Suggested PCB pad size=.063 [1.60] dia.

## ALL DIMENSIONS: INCHES [MILLIMETERS]

All tolerances  $\pm$  .005 [.13] unless otherwise specified

"W"=(NO. OF PINS PER ROW) X .100 [2.54]

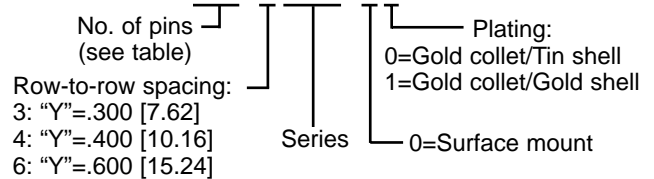
"X"=(NO. OF PINS PER ROW - 1) X .100 [2.54]



Note: Aries specializes in custom design and production. In addition to the standard products shown on this page, special materials, platings, sizes, and configurations can be furnished, depending on quantities. Aries reserves the right to change product specifications without notice.

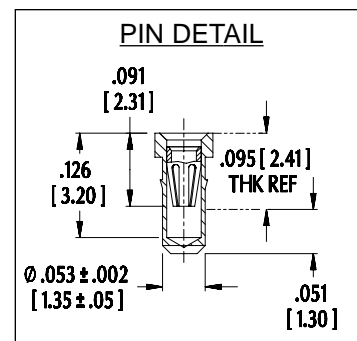
## ORDERING INFORMATION

**XX-X518-00**



Other collet pins are available. Consult Data Sheet No. 12016 for solder tail pins and 12017 for wire wrap pins.

Open Frame Capacitor Sockets also available. Consult Data Sheet Nos. 12026 and 12027.



| Frame Style | No. of Ribs | Centers "Y"  | Dim. "Z"     | Available Sizes |
|-------------|-------------|--------------|--------------|-----------------|
| A           | 1           | .300 [7.62]  | .400 [10.16] | 6               |
| B           | 2           | .300 [7.62]  | .400 [10.16] | 8,14,16,18,20   |
|             |             | .400 [10.16] | .500 [12.70] | 20,22           |
| C           | 3           | .300 [7.62]  | .400 [10.16] | 24,28           |
|             |             | .400 [10.16] | .500 [12.70] | 24              |
|             |             | .600 [15.24] | .700 [17.78] | 24,28,32        |

**ARIES**  
ELECTRONICS, INC.  
http://www.arieselec.com • info@arieselec.com

NORTH AMERICA  
Frenchtown, NJ USA  
TEL: (908) 996-6841  
FAX: (908) 996-3891



UK/IRELAND/GB  
TEL: +44 870 240 0249  
FAX: +44 1653 600493  
uking@arieselec.com

EUROPE/MAINLAND/HOLLAND  
TEL: +31 78 615 94 65  
FAX: +31 78 615 43 11  
europe@arieselec.com

12018  
REV.D