

**PRODUCT → CERAMIC FILTERS → JT MC/MD FOR TV/VCR SIF STAGE SERIES**

**Discriminators - JT MC/MD** JT MC/MD lines are IC dependent devices used in the recovery of audio signals. The JT MC have three terminals with IC ¼PC1382C and quadrature detection while the JT MD with IC TA7176P and differential peak detection.

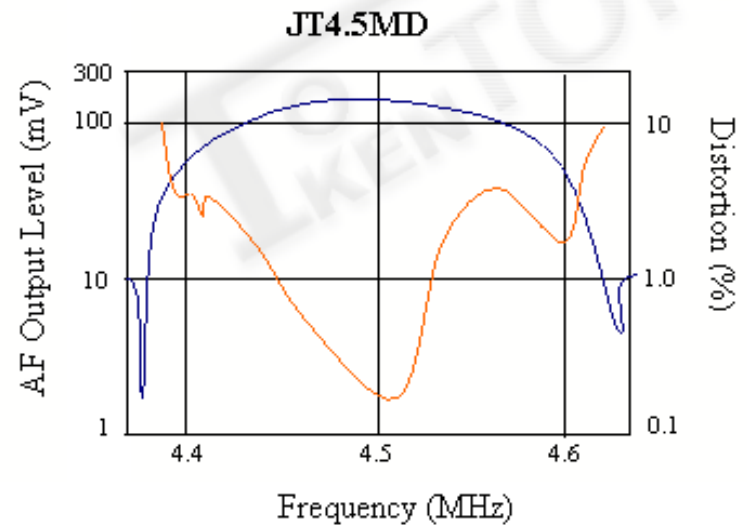
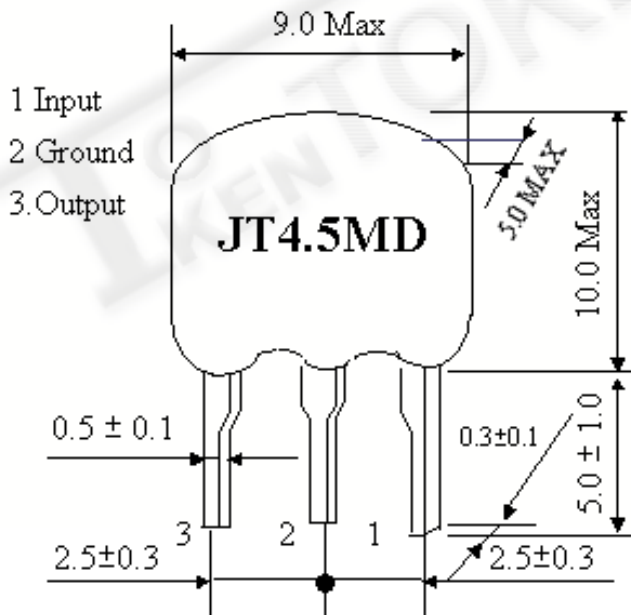
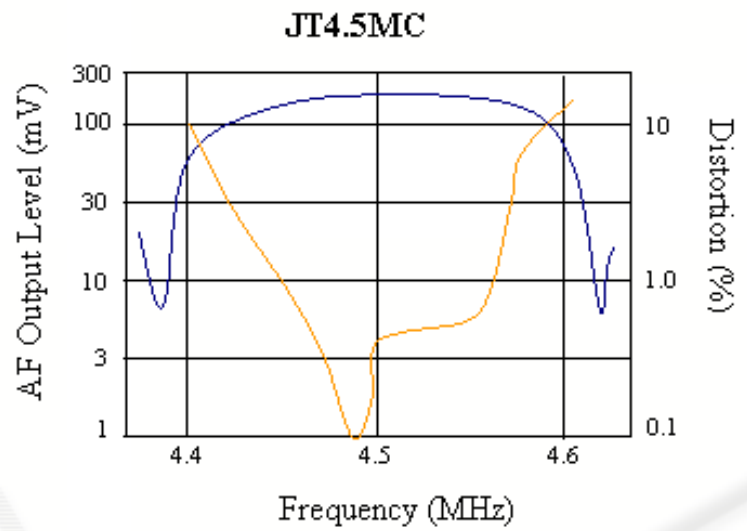
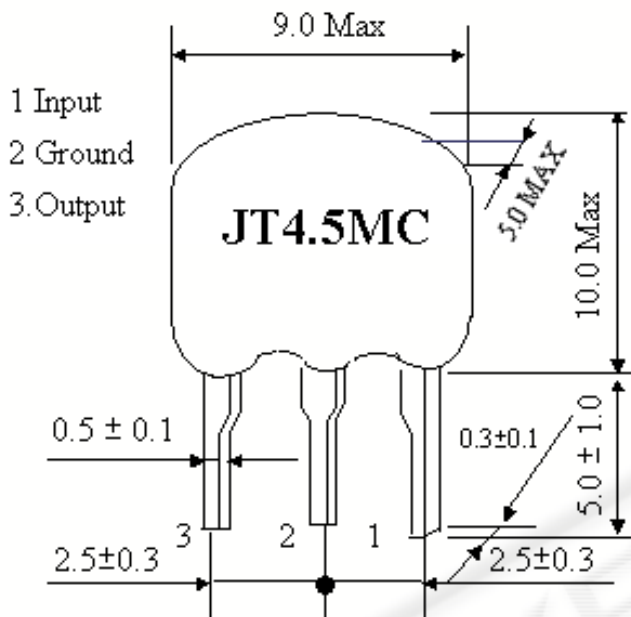
**JT MC/MD FOR TV/VCR SIF STAGE ( Murata CDA MC/MD Compatible )**

**4.5 MHz ~ 6.5 MHz**

**JT MC/MD SERIES TECHNICAL CHARACTERISTICS TABLE**

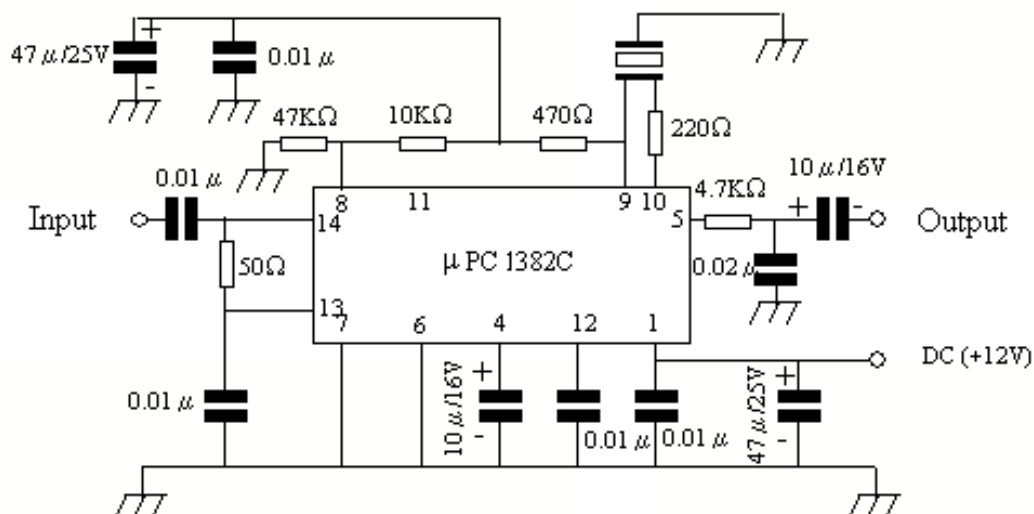
Part Number	Recovered Audio Voltage(mV)	Recovered Audio3dB Band Width(kHz)	Distortion Factor (%)	Detection Method	Applicable IC
JT4.5MC	≥140	≥±55	≤1.5	Quadrature	¼PC1382C
JT5.5MC	≥140	≥±55	≤1.5		¼PC1382C
JT6.0MC	≥140	≥±60	≤1.5		¼PC1382C
JT6.5MC	≥200	≥±60	≤1.5		¼PC1382C
JT4.5MD	≥100	≥±50	≤3	Differential Peak	TA7176P
JT5.5MD	≥100	≥±50	≤3		TA7176P
JT6.0MD	≥100	≥±50	≤3		TA7176P
JT6.5MD	≥100	≥±50	≤3		TA7176P

**JT MC/MD SERIES FOR TV/VCR SIF STAGE DIMENSIONS AND CHARACTERISTICS**



JT MC SERIES FOR TV/VCR SIF STAGE TEST CIRCUIT

### JT MC Test Circuit



### JT MD SERIES FOR TV/VCR SIF STAGE TEST CIRCUIT

### JT MD Test Circuit

