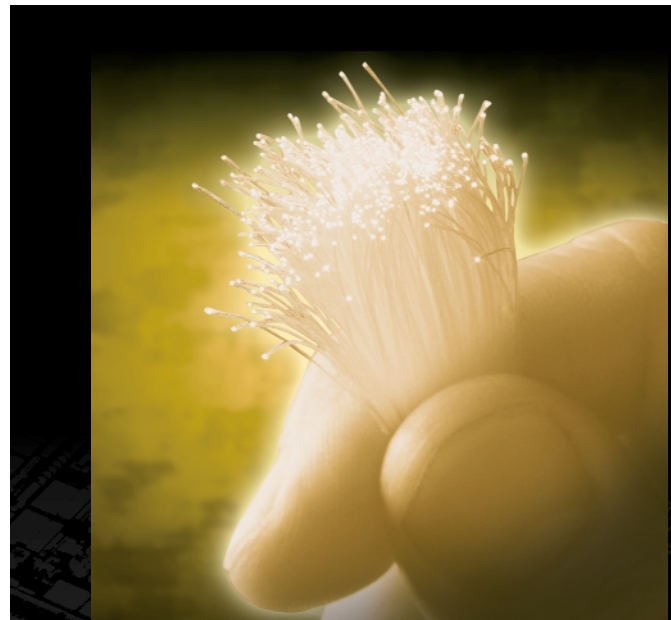
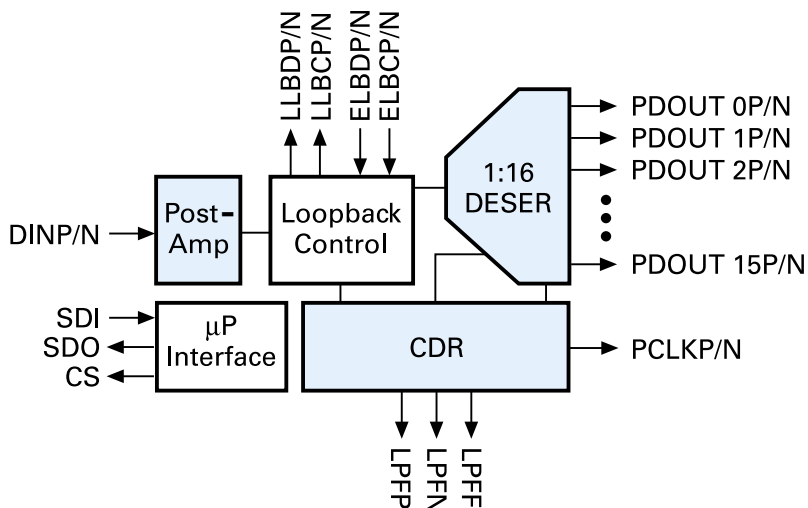




3 Gbps 1:16 Deserializer with CDR and VGA

CX02551

The CX02551 is a receiver IC consisting of a Variable Gain Amplifier (VGA), limiting amplifier, CDR, and a 1:16 deserializer. The multirate CDR maximizes jitter tolerance, minimizes pattern-dependant jitter, and does not require an external frequency reference. By default, upon reset, the CX02551 registers are set to operate at the SONET OC-48 specification. However, through the serial programming interface, the receiver can be customized to operate with data rates from 155 Mbps to 3.2 Gbps.



Distinguishing Features

- 16:1 deserializer
- Integrated Variable Gain Amplifier with adjustable slice level for long-haul systems
- Frequency-agile clock and data recovery from NRZ data at 125 Mbps to 3.2 Gbps
- Exceeds SONET Bellcore and ITU-T specifications for jitter tolerance, transfer and generation
- Independent line and equipment loopbacks
- Loss of signal
- 64-pin (9mm x 9mm) BCC++ package
- 3.3V power supply