

Pressure gauges for flush panel mounting Types 4 EA-.. and 4 QA-..

General description

Jumo pressure gauges for flush panel mounting are used for pressure measurement in liquids and gases which are not highly viscous, do not crystallize out, and which do not attack copper alloys.

Applications include: machinery and mechanical equipment, pneumatics plant, compressor plant and pumping equipment.

Type designation

4 EA-60

4	Product Group	pressure measurement
E	flush-mounting case with	round bezel
Q	flush-mounting case with	square bezel
A	indicator	
-60	case dia.	60 mm
-80	case dia.	80 mm
-10	case dia.	100 mm
-72	bezel	72 x 72 mm
-96	bezel	96 x 96 mm

Extra Codes

/01	restrictor in pressure connection
/02	peak-reading pointer (only for type 4EA-10)
/04	adjustable marker (only for type 4EA-10)
/07	chrome-plated brass ring for front mounting
/18	matt black bezel (round or square)
/60	red marking on dial

Accessory

Adaptor for 1/2" pipe
(see Data Sheet 48.000)

Ordering example

Pressure gauge, flush-mounting

Type 4 EA-60/60
range 0 to 4 bar,
red mark at 1.5 bar

Type 4 QA-72
range -1 to 0 bar,
adaptor for 1/2" pipe

Operation

The pressure of the medium acts directly on the built-in Bourdon tube. The free end of this tube rotates the pointer through a mechanical linkage.

Technical data

Case
steel, zinc plated

Round case

with a round bezel in stainless steel,
Mat. Ref. 1.4301, polished
(optional: black, Code /18)

Square case

with a narrow bezel in brass, chrome-plated
(optional: black, Code /18)

Mounting

by retaining bracket at the back, or
mounting flange for front-mounting
(Code /07, for round case only)

Dial

white with black figuring to DIN 16 109 (other styles available on request)

Window

flat instrument glass, 2 mm thick

Pressure connection

concentric rear entry for 1/4" pipe,
brass, to DIN 16 288

Measuring element

bronze Bourdon tube, soft soldered

Mechanism

in brass

Ranges

-1 to 0 bar	0 to 1 bar
-1 to 0 bar to 0.6 bar	0 to 1.6 bar
-1 to 0 bar to 1.5 bar	0 to 2.5 bar
-1 to 0 bar to 3 bar	0 to 4 bar
-1 to 0 bar to 5 bar	0 to 6 bar
-1 to 0 bar to 9 bar	0 to 10 bar
-1 to 0 bar to 15 bar	0 to 16 bar
	0 to 25 bar



Type 4 EA-80



Type 4 QA-80

Accuracy

DIN 16 005, Class 1.6
for sizes 80, 100 mm dia.
and 96 x 96 mm

DIN 16 005, Class 2.5
for sizes 60 mm dia. and 72 x 72 mm

Loading

to DIN 16 005:
steady pressure:
up to 3/4 of full scale

fluctuating pressure:
up to 2/3 of full scale

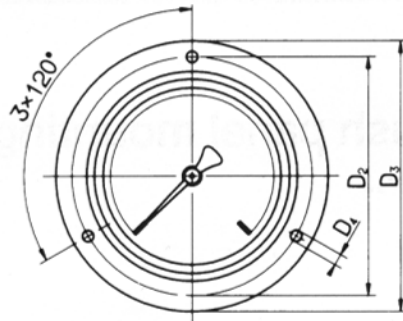
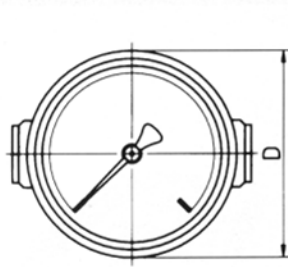
Permissible ambient and medium temperature

-20 to +50 °C

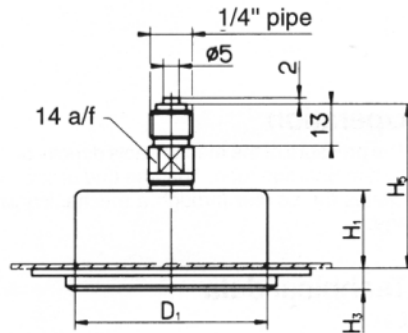
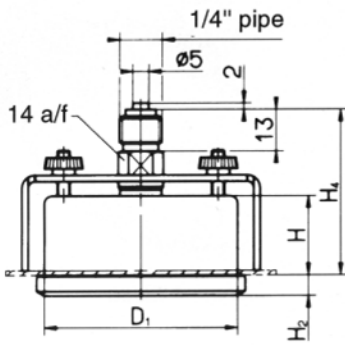
Operating position

dial in vertical position,
normal position 90° ± 5° to the horizontal
= NL 90 to DIN 16 257

Dimensions

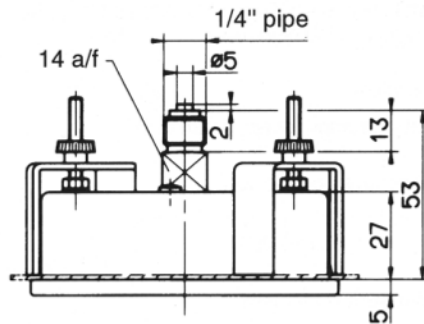
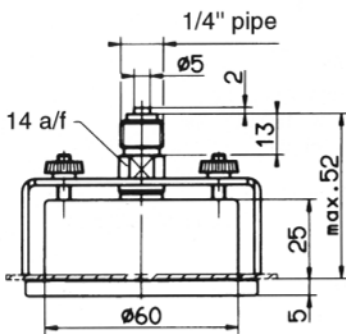
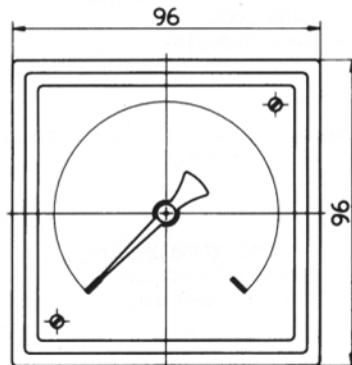
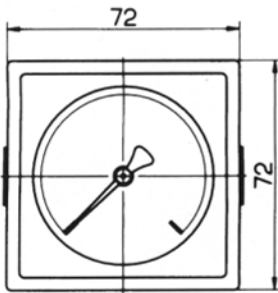


mm	inch
2	0.08
3.6	0.14
4.8	0.19
5	0.20
6.4	0.25
6.7	0.26
7	0.28
7.5	0.30
7.6	0.30
9	0.35
13	0.51
25	0.98
27	1.06
30.5	1.20
52	2.05
53	2.09
60	2.36
65	2.56
72	2.83
75	2.95
80	3.15
85	3.35
95	3.74
96	3.78
100	3.94
105.5	4.15
110	4.33
116	4.57
132	5.20



Type 4 EA-60, (-80, -10)

Type 4 EA-60, (-80, -10), Code / 07



Type 4 QA-72

Type 4 QA-96

Table of dimensions for case dia. 60, 80 and 100 mm with retaining bracket and mounting flange

Ø	H	H ₁	H ₂	H ₃	H ₄	H ₅	D	D ₁	D ₂	D ₃	D ₄
60	25	25	6.4	7	52	52	65	60	75	85	3.6
80	25	25	6.7	7.6	52	52	85	80	95	110	4.8
100	30.5	30.5	7.5	9	53	53	105.5	100	116	132	4.8