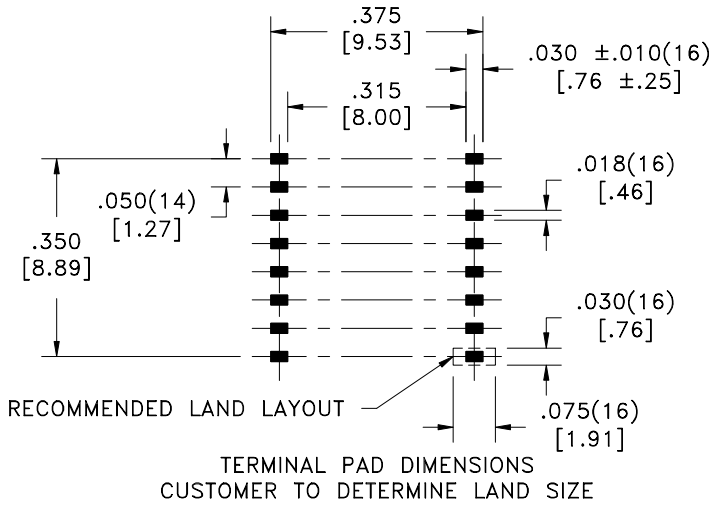
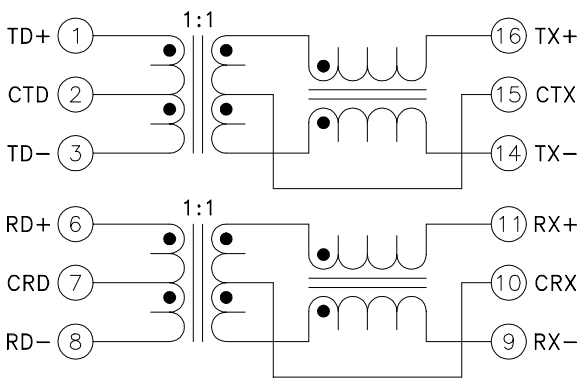
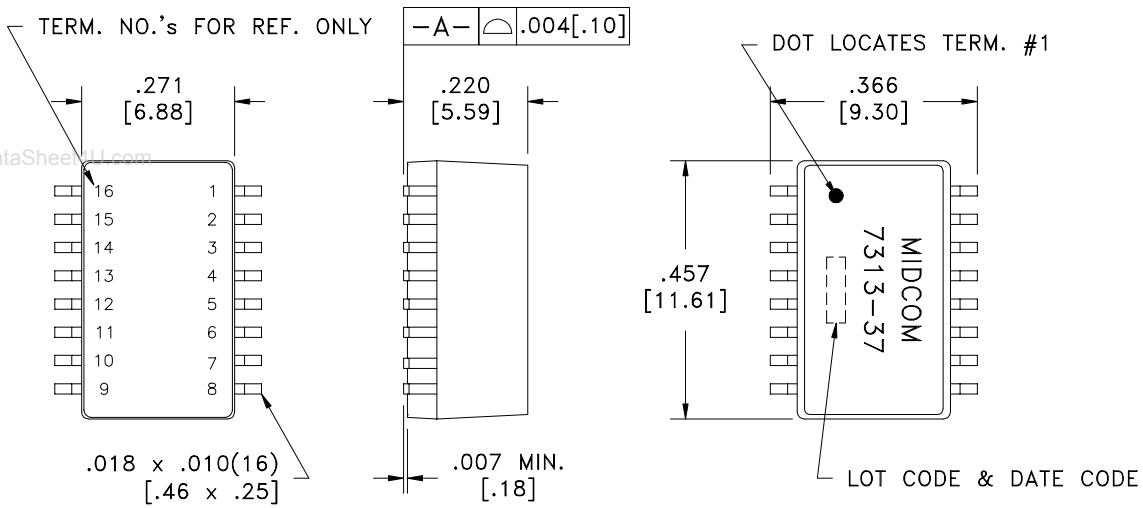


www.DataSheet4U.com



**ELECTRICAL SPECIFICATIONS @ 25°C unless otherwise noted:**

- DIELECTRIC RATING: 1500Vrms, 1 minute.
- INDUCTANCE: 350uH min., 8mADC.
- TURNS RATIO & POLARITY: Per Schematic.
- INSERTION LOSS: -1.1dB max., 0.1M - 100MHz.
- RETURN LOSS:
  - 16dB min., 1M - 30MHz.
  - 14dB min., 40MHz.
  - 13dB min., 50MHz.
  - 10dB min., 60M - 80MHz.
- CROSSTALK:
  - 50dB min., 1MHz.
  - 40dB min., 30MHz.
  - 40dB min., 50MHz.
  - 33dB min., 100MHz.
- DCMR:
  - 38dB min., 1M - 60MHz.
  - 30dB min., 60M - 100MHz.

COPLANARITY: All 16 terminals must lie on a plane within .004 [.10] of Surface A after lead tinning.

**Midcom, Inc.**  
 Watertown, SD USA  
 Toll Free: 800-643-2661  
 Fax: 605-886-4486

Unless otherwise specified:  
 Tolerances: Fractions: ±1/64  
 Angles: ±1° Decimals: ±.005 [.13]

DRAWING TITLE  
**TRANSFORMER**

REVISIONS: SEE SHEET 1

**Midcom**

DRAWING NO. **000-7313-37R** REV. 6B

SCALE --- SHEET 2 OF 3

DWG # 000-7313-37R  
 www.DataSheet4U.com

This drawing is dual dimensioned.  
 Dimensions in brackets are in millimeters.