

Core range
PART NUMBER 8655MH5011LF **PACKAGING:** per 1 piece

FOR STANDARD AND APPLICATION SPECIFIC PART NUMBER SEE SHEET 2.

NOTE: RoHS INFORMATIONS
 - The "LF" product meets European union Directives and other country regulations as described in 65-22-008.
 - The product is not intended to be exposed to a manufacturing solder process.
 - Packaging spec: see 65-14-920.

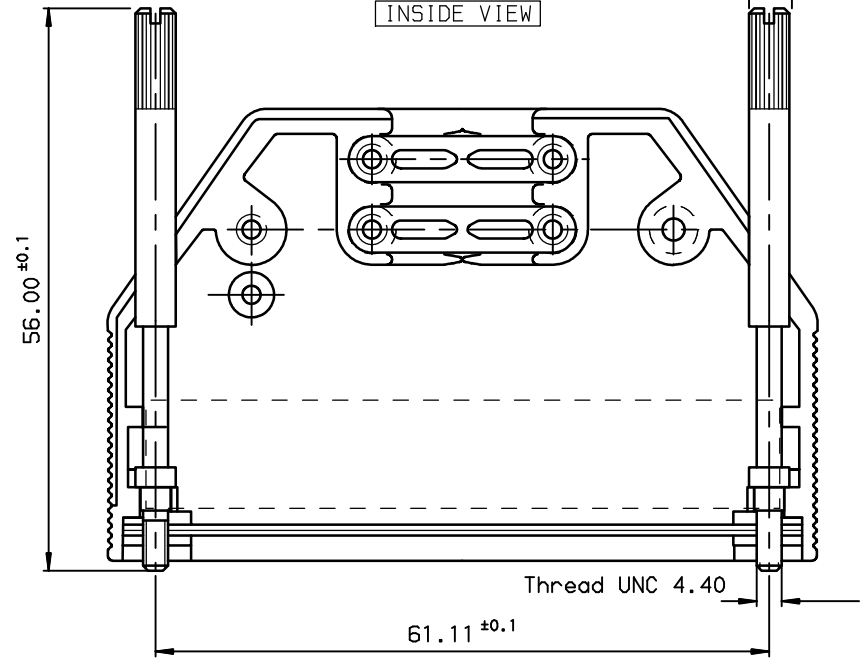
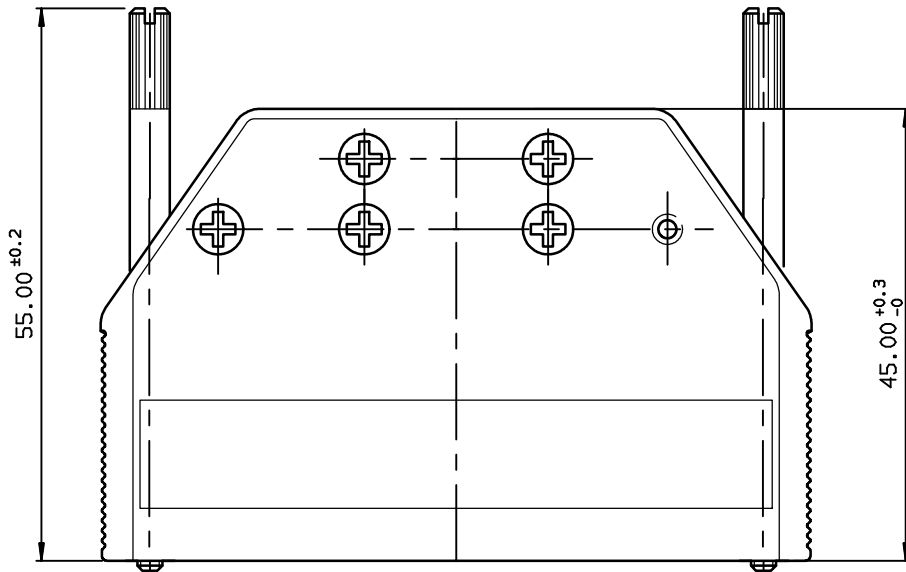
rev	ecn no	dr	date
A	LS05-0086	MPE	2005/10/14
B	LS06-0095	LGO	2006/07/17
-	-	-	-
-	-	-	-
-	-	-	-
-	-	-	-

www.fciconnect.com		surface ISO 1302 ✓	tolerance std ISO 406 ISO 1101	projection mm
TOLERANCES UNLESS OTHERWISE SPECIFIED				
Dr	JARRY	2005/10/14	ANGULAR	LINEAR
Eng	PESSON	2005/10/14	0.X	±0.1
Chr	LEGARE	2005/10/14	0.XX	±0.1
Appr	LEGARE	2005/10/14	0.XXX	±0.1
Product family			D-SUB	Spec ref -
title SHIELDED HOODS - TWO PARTS HOODS (Shell size 50)		part no C01-8655-1600-1	Rev. B	
catalog no		CUSTOMER sheet 1 of 1		

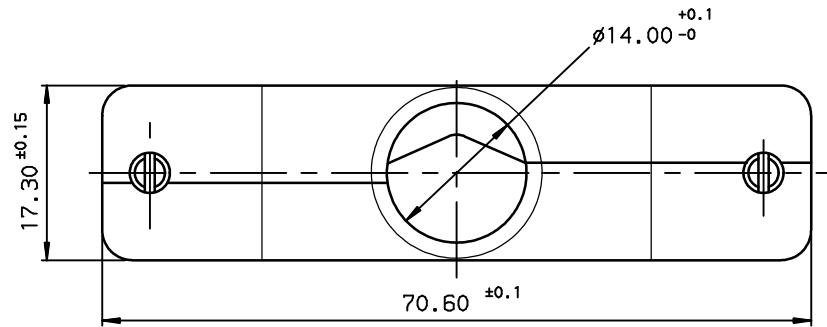
Copyright FCI. FCI

A

B



C



D

NOTE: RoHS INFORMATIONS

- The "LF" product meets European union Directives and other country regulations as described in GS-22-008.
- The product is not intended to be exposed to a manufacturing solder process.
- Packaging spec: see GS-14-920.

rev	ecn no	dr	date
A	LS05-0086	MPE	2005/10/14
B	LS06-0095	LGO	2006/07/18
-	-	-	-
-	-	-	-
-	-	-	-
-	-	-	-

Pull Parts		
PART NUMBER	8655MH5001LF	PACKAGING: per 40 pieces

European Views

www.fciconnect.com		surface ISO 1302 ✓	tolerance std ISO 406 ISO 1101	projection mm
		TOLERANCES UNLESS OTHERWISE SPECIFIED		
Dr	JARRY	2005/10/14	ANGULAR	LINEAR
Eng	PESSON	2005/10/14	0.X	±0.1
Chr	LEGARE	2005/10/14	0.XX	±0.1
Appr	LEGARE	2005/10/14	0.XXX	±0.1
Product family		D-SUB		Spec ref -
title SHIELDED HOODS -TWO PARTS HOODS (Shell size 50)		drawing no C01-8655-1600-2		Rev. B
catalog no				