

# 16-bit Proprietary Microcontroller

CMOS

## F<sup>2</sup>MC-16L MB90660A Series

### MB90662A/663A/P663A

#### ■ DESCRIPTION

MB90660A series microcontrollers are 16-bit microcontrollers optimized for high speed realtime processing of consumer equipment and system control of air conditioner video cameras, VCRs, and copiers. Based on the F<sup>2</sup>MC\*-16 CPU core, an F<sup>2</sup>MC-16L is used as the CPU. This CPU includes high-level language-support instructions and robust task switching instructions, and additional addressing modes.

Microcontrollers in this series have built-in peripheral resources including multi-function timers, 16-bit reload timer four channels, 8-bit PWM one channel, UART one channel, 10-bit A/D eight converter channels, and external interrupt eight channels.

\*: F<sup>2</sup>MC stands for FUJITSU Flexible Microcontroller.

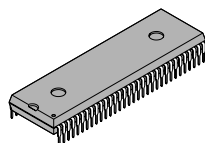
#### ■ FEATURES

- F<sup>2</sup>MC-16L CPU
- Minimum execution time: 62.5 ns/4 MHz oscillation (uses PLL multiplier): fastest speed at quadruple operation
- Instruction set optimized for controller applications
  - Upward compatibility at object level with the F<sup>2</sup>MC-16(H)
  - Various data types (bit, byte, word, long-word)
  - Higher speed due to review of instruction cycle
  - Expanded addressing modes: 23 types
  - High coding efficiency
  - Two access methods (bank system or linear pointer)
  - Improved multiply-and-divide instructions (additional signed instructions)
  - Improved high-precision operation with 32-bit accumulator
  - Extended intelligent I/O services (access area extended by 64 Kbytes)
  - Large memory space: 16 Mbytes

(Continued)

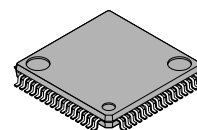
#### ■ PACKAGE

64-pin Plastic SH-DIP



(DIP-64P-M01)

64-pin Plastic LQFP



(FPT-64P-M09)

# MB90660A Series

*(Continued)*

- Improved instruction set applicable to high-level language (C) and multitasking
  - System stack pointer
  - Improved indirect instructions using various pointers
  - Barrel shift instruction
  - Stack check function
- Improved execution speed: 4-byte instruction queue
- Improved interrupt functions
- Automatic data transfer function independent of CPU

## Peripheral Resources

- ROM: 16 Kbytes (MB90661A)
  - 32 Kbytes (MB90662A)
  - 48 Kbytes (MB90663A)
- One-time PROM: 48 Kbytes (MB90P663A)
- RAM: 512 bytes (MB90661A)
  - 1.64 Kbytes (MB90662A)
  - 2 Kbytes (MB90663A/MB90P663A)
- General-purpose ports: Max. 51
- UART: 1 channel
  - Can be used for both asynchronous transfer and clocked serial (I/O extended serial) communications
- A/D converter: 10-bit, 8 channels
  - Includes 8-bit conversion mode
- 16-bit reload timer: 4 channels
- 8-bit PWM: 1 channel
- External interrupts: 8 channels
- 18-bit timebase timer with watchdog timer function
- PLL clock multiplier function
- CPU intermittent operation function
- Various standby modes
- Package: SH-DIP-64/LQFP-64 (0.65-mm pitch)
- CMOS technology

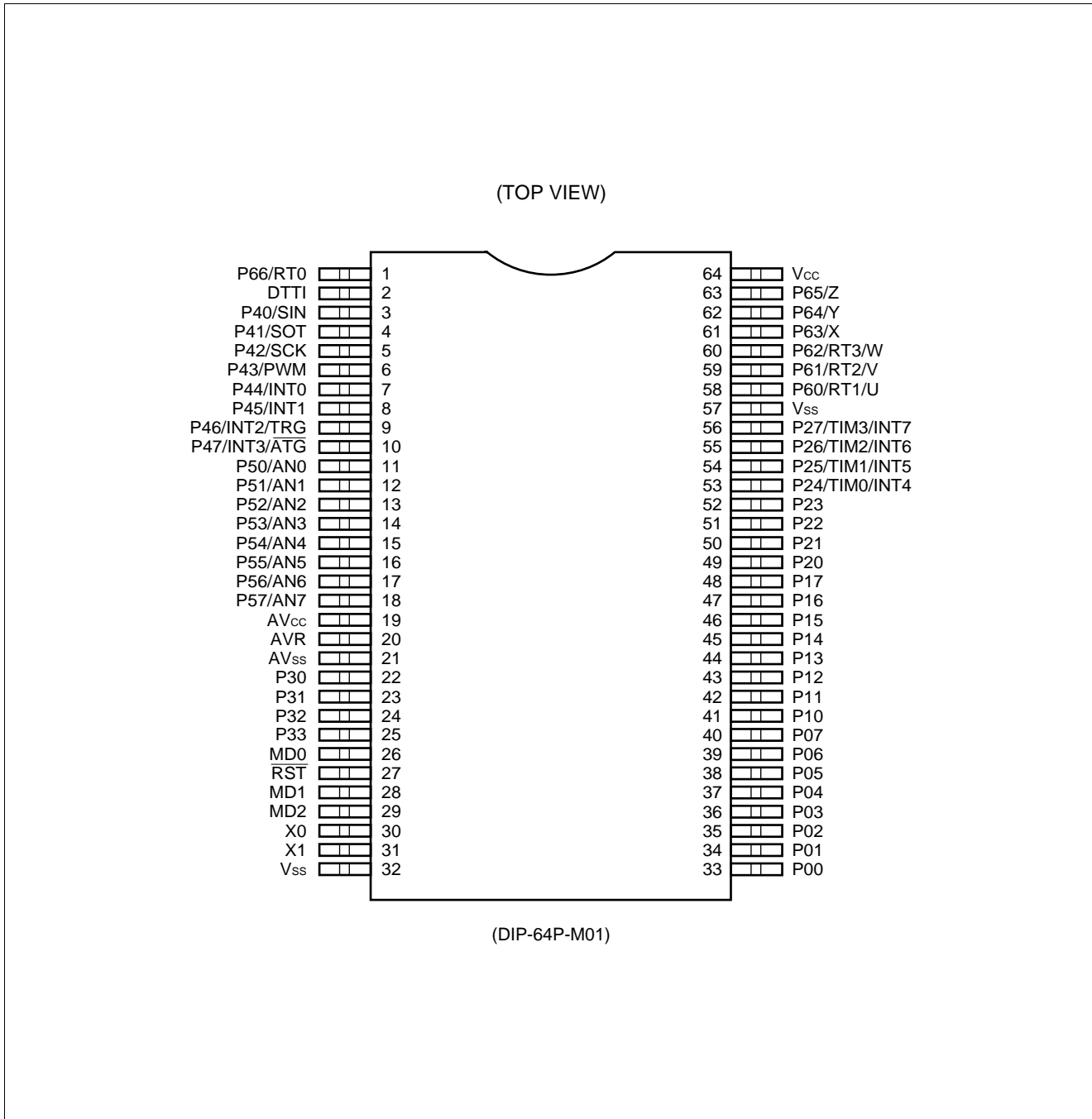
# MB90660A Series

## ■ PRODUCT LINEUP

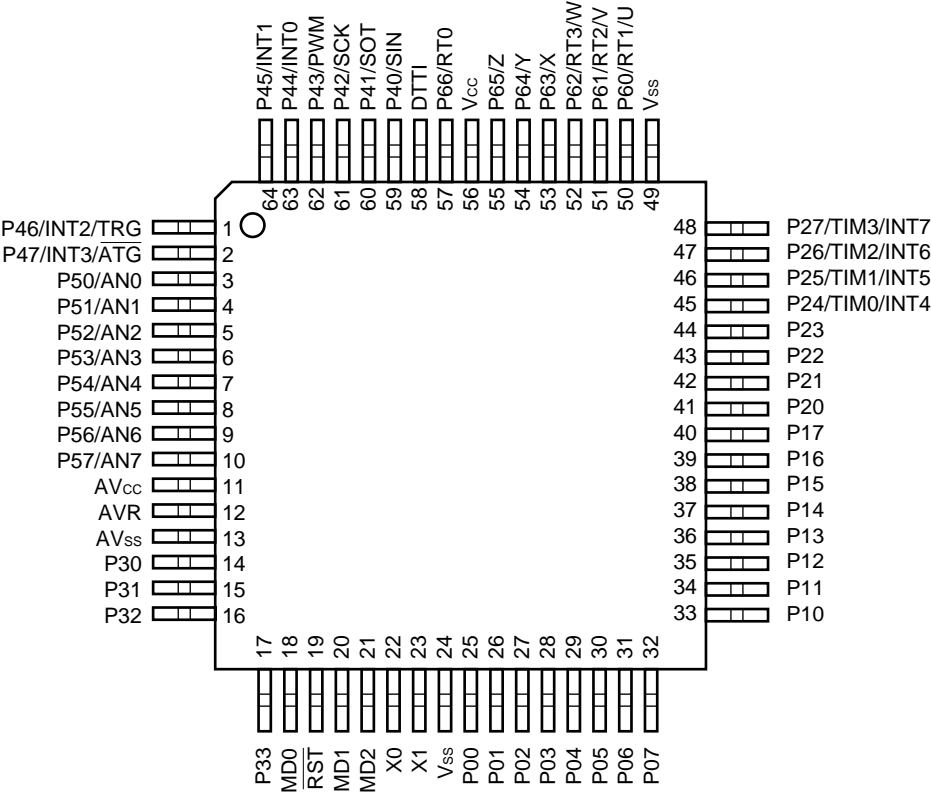
Part number Parameter	MB90P663A	MB90662A	MB90663A
Classification	OTPROM	MASK ROM	MASK ROM
ROM size	48 Kbytes	32 Kbytes	48 Kbytes
RAM size	2 Kbytes	1.64 Kbytes	2 Kbytes
CPU functions	Number of basic instructions : 340 Instruction bit length : 8/16 bits Instruction length : 1 to 7 bytes Data bit length : 1, 4, 8, 16, or 32 bits Minimum execution time : 62.5 ns/4 MHz (PLL 4 multiply) Interrupt processing time : 1000 ns/16 MHz (minimum)		
Ports	Input Ports : 4 I/O ports (CMOS) : 39 I/O ports (N channel open-drain) : 8 Total : 51		
Packages	DIP-64P-M01 FPT-64P-M09	DIP-64P-M01 FPT-64P-M09	DIP-64P-M01 FPT-64P-M09
Multi-Function Timer	14-bit up/down count timer × 1, buffered compare register × 4, buffered compare clear register, zero detect terminal control, 4 output channels, non-overlapped 3-phase waveform output, 3-phase independent dead time timer, 4-bit carrier counter		
UART	Full duplex double buffer Selectable clock synchronous/asynchronous operation Built-in dedicated baud rate generator (During asynchronous operation: 62500, 31250, 19230, 9615, 4808, 2404, 1202 bps)		
A/D Converter	10-bit precision × 8 channels A/D conversion time : 6.13 μs (98 machine cycles at 16 MHz machine clock, includes sample hold time) Startup trigger : Startup by software, external source, or multi-function timer output (RT0) can be selected Activation : Single, scan (multiple channel continuous), continuous (1 channel continuous), stop (synchronized with conversion start in scan mode)		
16-Bit Reload Timer	16-bit reload timer operation (toggle output, one-shot output selectable) (Count clock can be selected from 0.125 μs, 0.5 μs, or 2.0 μs at 16 MHz machine cycle) Event count function selectable 4 channels built-in		
8-Bit PWM	8-bit resolution PWM operation (arbitrary cycle: duty ratio pulse output) (Count clock can be selected from 0.125 μs or 64.0 μs at 16 MHz machine cycle)		
External Interrupts	Number of inputs: 8 External interrupt mode (Interrupts can be generated by four types of request detect sources)		
PLL Function	1/2/3/4-time multiplier can be selected (Please set so as not to exceed guaranteed operation frequency)		
Miscellaneous Items	V <sub>PP</sub> is shared with MD2 terminal (when writing the EPROM)	—	—

# MB90660A Series

## ■ PIN ASSIGNMENT



(TOP VIEW)



(FPT-64P-M09)

# MB90660A Series

## ■ PIN DESCRIPTION

Pin no.		Pin name	Circuit type	Function
SH-DIP*1	LQFP*2			
30	22	X0	A (Oscillator)	Crystal oscillator pin (32 MHz).
31	23	X1		
33 to 40	25 to 32	P00 to P07	B (CMOS)	General-purpose I/O ports.
41 to 48	33 to 40	P10 to P17	B (CMOS)	General-purpose I/O ports.
49 to 52	41 to 44	P20 to P23	B (CMOS)	General-purpose I/O ports.
53 to 56	45 to 48	P24 to P27	G (CMOS)	General-purpose I/O ports. This function is activated when the output specification of the reload timer is "disabled".
		TIM0 to TIM3		I/O pins for reload timers 0 to 4. Input is used only as necessary while serving as input for the reload timer. It is therefore necessary to stop output beforehand using other functions unless intentionally used otherwise. Their function as output terminals for the reload timer is activated when the output specification is "enabled".
		INT4 to INT7		External interrupt request input pins. Input is used only as necessary while external interrupts are enabled. It is therefore necessary to stop output beforehand using other functions unless intentionally used otherwise.
22 to 25	14 to 17	P30 to P33	B (CMOS)	General-purpose I/O ports.
3	59	P40	E (CMOS/H)	General-purpose I/O port. This function is always enabled.
		SIN		UART serial data input pin. Input is used only as necessary while serving as UART input. It is therefore necessary to stop output beforehand using other functions unless intentionally used otherwise.
4	60	P41	E (CMOS/H)	General-purpose I/O port. This function is activated when the serial data output specification of the UART is "disabled".
		SOT		UART serial data output pin. This function is activated when the serial data output specification of the UART is "enabled".

\*1: DIP-64P-M01

\*2: FPT-64P-M09

(Continued)

# MB90660A Series

Pin no.		Pin name	Circuit type	Function
SH-DIP*1	LQFP*2			
5	61	P42	E (CMOS/H)	General-purpose I/O port. This function is activated when the clock output specification of the UART is “disabled”.
		SCK		UART clock I/O pin. This function is activated when the clock output specification of the UART is “enabled”. Input is used only as necessary while serving as UART input. It is therefore necessary to stop output beforehand using other functions unless intentionally used otherwise.
6	62	P43	E (CMOS/H)	General-purpose I/O port. This function is activated when the output specification of the PWM is “disabled”.
		PWM		PWM timer output pin. This function is activated when the waveform output specification of the PWM timer is “enabled”.
7 8	63 64	P44 to P45	D (CMOS/H)	General-purpose I/O ports. This function is always active.
		INT0 to INT1		External interrupt request input pins. Input is used only as necessary while external interrupts are enabled.
9	1	P46	D (CMOS/H)	General-purpose input port. This function is always active.
		INT2		External interrupt request input pin. Input is used only as necessary while external interrupts are enabled.
		TRG		Timer clear trigger input pin for multi-function timer. Input is used only as necessary while multi-function timer input is enabled.
10	2	P47	D (CMOS/H)	General-purpose input port. This function is always active.
		INT3		External interrupt request input pin. Input is used only as necessary while external interrupts are enabled.
		ATG		Trigger input pin for the A/D converter. Input is used only as necessary while the A/D converter is performing input.
11 to 18	3 to 10	P50 to P57	C (AD)	Open-drain type I/O ports. This function is enabled when the analog input enable register specification is “port”.
		AN0 to AN7		Analog input pins for the A/D converter. This function is enabled when the analog input enable register specification is “AD”.

\*1: DIP-64P-M01

\*2: FPT-64P-M09

(Continued)

# MB90660A Series

Pin no.		Pin name	Circuit type	Function
SH-DIP*1	LQFP*2			
58	50	P60	E (CMOS/H)	General-purpose I/O port. This function is enabled when the multi-function timer waveform output specification is "disabled" and the 3-phase waveform output specification is "disabled".
		RT1		Multi-function timer waveform output pin. This function is enabled when the multi-function timer output specification is "enabled".
		U		3-phase waveform output pin. This function is enabled when the 3-phase waveform output specification is "enabled".
59	51	P61	E (CMOS/H)	General-purpose I/O port. This function is enabled when the multi-function timer waveform output specification is "disabled" and the 3-phase waveform output specification is "disabled".
		RT2		Multi-function timer waveform output pin. This function is enabled when the multi-function timer output specification is "enabled".
		V		3-phase waveform output pin. This function is enabled when the 3-phase waveform output specification is "enabled".
60	52	P62	E (CMOS/H)	General-purpose I/O port. This function is enabled when the multi-function timer waveform output specification is "disabled" and the 3-phase waveform output specification is "disabled".
		RT3		Multi-function timer waveform output pin. This function is enabled when the multi-function timer output specification is "enabled".
		W		3-phase waveform output pin. This function is enabled when the 3-phase waveform output specification is "enabled".
61	53	P63	E (CMOS/H)	General-purpose I/O port. This function is enabled when the 3-phase waveform output specification is "disabled".
		X		3-phase waveform output pin. This function is enabled when the 3-phase waveform output specification is "enabled".
62	54	P64	E (CMOS/H)	General-purpose I/O port. This function is enabled when the 3-phase waveform output specification is "disabled".
		Y		3-phase waveform output pin. This function is enabled when the 3-phase waveform output specification is "enabled".

\*1: DIP-64P-M01

\*2: FPT-64P-M09

(Continued)



# MB90660A Series

(Continued)

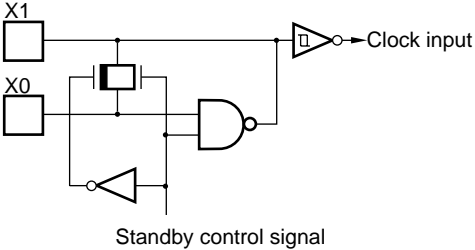
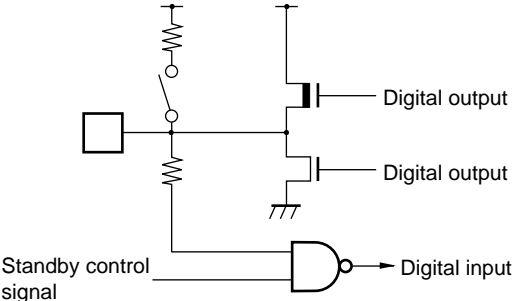
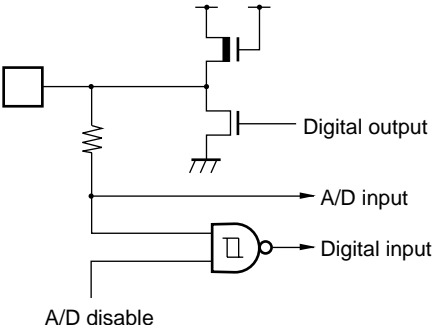
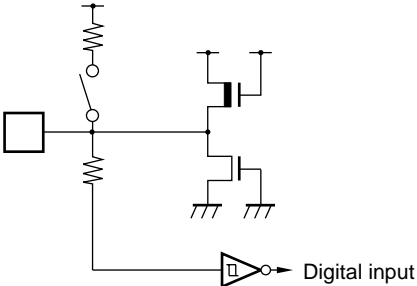
Pin no.		Pin name	Circuit type	Function
SH-DIP*1	LQFP*2			
63	55	P65	E (CMOS/H)	General-purpose I/O port. This function is enabled when the 3-phase waveform output specification is "disabled".
		Z		3-phase waveform output pin. This function is enabled when the 3-phase waveform output specification is "enabled".
1	57	P66	E (CMOS/H)	General-purpose I/O port. This function is enabled when the multi-function timer waveform output specification is "disabled".
		RT0		Multi-function timer waveform output pin. This function is enabled when the multi-function timer output specification is "enabled".
2	58	DTTI	D (CMOS/H)	3-phase waveform output disable input (DTTI) pin.
19	11	AV <sub>cc</sub>	Power supply	Power supply for analog circuits. Turn this power supply on/off by applying a voltage level greater than AV <sub>cc</sub> to V <sub>cc</sub> .
20	12	AVR	Power supply	Reference power supply for analog circuits. Turn this pin on/off by applying a voltage level greater than AVR to AV <sub>cc</sub> .
21	13	AV <sub>ss</sub>	Power supply	Ground level for analog circuits.
26 28 29	18 20 21	MD0 to MD2	F (CMOS/H)	Input pins for specifying operation mode. Use these pins by directly connecting to V <sub>cc</sub> or V <sub>ss</sub> .
27	19	$\overline{\text{RST}}$	D (CMOS/H)	External reset request input pin.
64	56	V <sub>cc</sub>	Power supply	Power supply for digital circuits.
32 57	24 49	V <sub>ss</sub>	Power supply	Ground level for digital circuits.

\*1: DIP-64P-M01

\*2: FPT-64P-M09

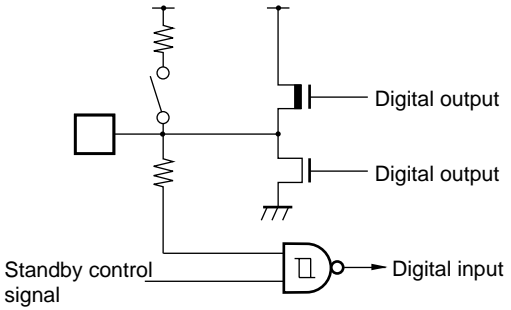
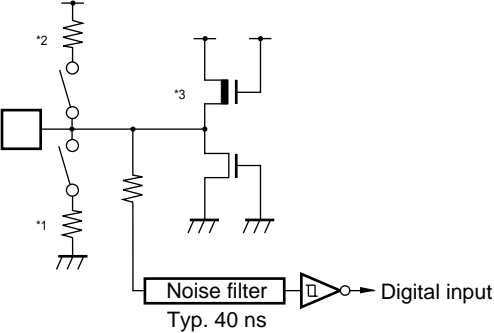
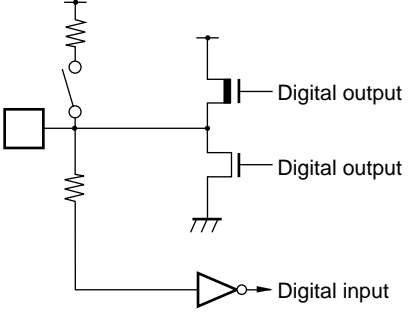
# MB90660A Series

## ■ I/O CIRCUIT TYPE

Type	Circuit	Remarks
A		<ul style="list-style-type: none"> <li>• 3 MHz to 32 MHz operation</li> <li>• Oscillation feedback resistor: Approx. 1 M<math>\frac{3}{4}</math></li> </ul>
B		<ul style="list-style-type: none"> <li>• CMOS level input and output</li> <li>• With standby control</li> <li>• Pull-up option can be selected</li> <li>• With standby control</li> </ul>
C		<ul style="list-style-type: none"> <li>• N-channel open-drain output</li> <li>• CMOS level hysteresis input</li> <li>• With A/D control</li> </ul>
D		<ul style="list-style-type: none"> <li>• CMOS level hysteresis input</li> <li>• Without standby control</li> <li>• Pull-up option can be selected</li> <li>• Without standby control</li> </ul>

(Continued)

(Continued)

Type	Circuit	Remarks
E	 <p>Standby control signal</p> <p>Digital output</p> <p>Digital output</p> <p>Digital input signal</p>	<ul style="list-style-type: none"> <li>• CMOS level output</li> <li>• CMOS level hysteresis input With standby control</li> <li>• Pull-up option can be selected With standby control</li> </ul>
F	 <p>Noise filter Typ. 40 ns</p> <p>Digital input</p>	<ul style="list-style-type: none"> <li>• CMOS level input (Mask ROM version uses CMOS hysteresis input) Without standby control</li> <li>• Pull-up option can be selected for MD2 (*1) Pull-up option can be selected for MD1/0 (*2) Both without standby option</li> <li>• The MB90P663A does not include a noise filter. It also does not have a P channel protect Tr (*3) for the MD2 pin or pull-down.</li> </ul>
G	 <p>Digital output</p> <p>Digital output</p> <p>Digital input</p>	<ul style="list-style-type: none"> <li>• CMOS level input and output Without standby control</li> <li>• Pull-up option can be selected With standby control</li> </ul>

# MB90660A Series

## ■ HANDLING DEVICES

### 1. Preventing Latchup

Latchup may occur with CMOS ICs if voltage higher than  $V_{CC}$  or lower than  $V_{SS}$  is applied to input and output pins other than medium- to high-voltage pins or if higher than the voltage which shows on “1. Absolute Maximum Ratings” in section “■ Electrical Characteristics” is applied between  $V_{CC}$  and  $V_{SS}$ .

When latchup occurs, power supply current increases rapidly and might thermally damage elements. When using, take great care not to exceed the absolute maximum ratings.

To prevent the similar aftereffects, use also the utmost care not to allow the analog supply voltage to exceed the digital supply voltage.

### 2. Treatment of Unused Input Pins

Leaving unused input pins open could cause malfunctions. They should be pins should be connected to a pull-up or pull-down resistor.

### 3. External Reset Input

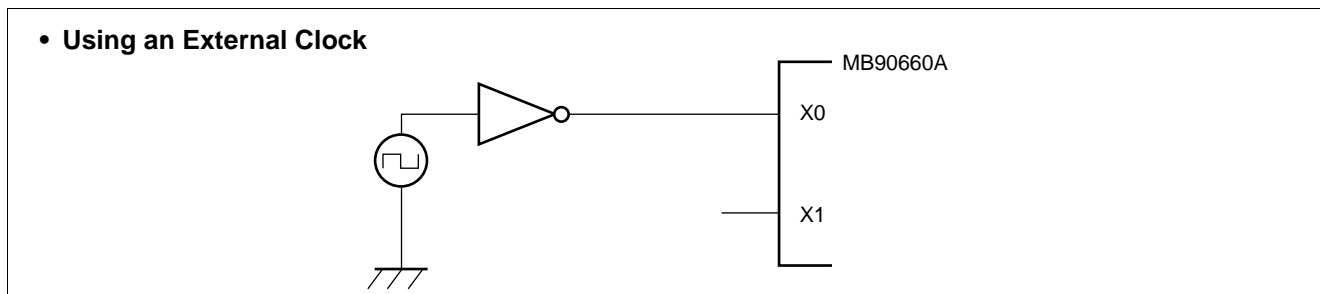
When resetting by inputting “L” level to the  $\overline{RST}$  pin, the “L” level must be input for at least 5 machine cycles to ensure that internal reset has occurred. Be aware of this point when using external clock input.

### 4. $V_{CC}$ , $V_{SS}$ Pin

Be sure that both  $V_{CC}$  and  $V_{SS}$  are at the same voltage.

### 5. Notes on Using an External Clock

Drive X0 when using an external clock.



### 6. Order of Power-on to A/D Converter and Analog Inputs

Power-off ( $AV_{CC}$ ,  $AVR$ ) to the digital power supply ( $V_{CC}$ ) must be performed only after the A/D converter and the analog inputs ( $AN0$  to  $AN7$ ) has been turned on.

Turning on or off should always be performed keeping  $AVR$  below  $AV_{CC}$ .

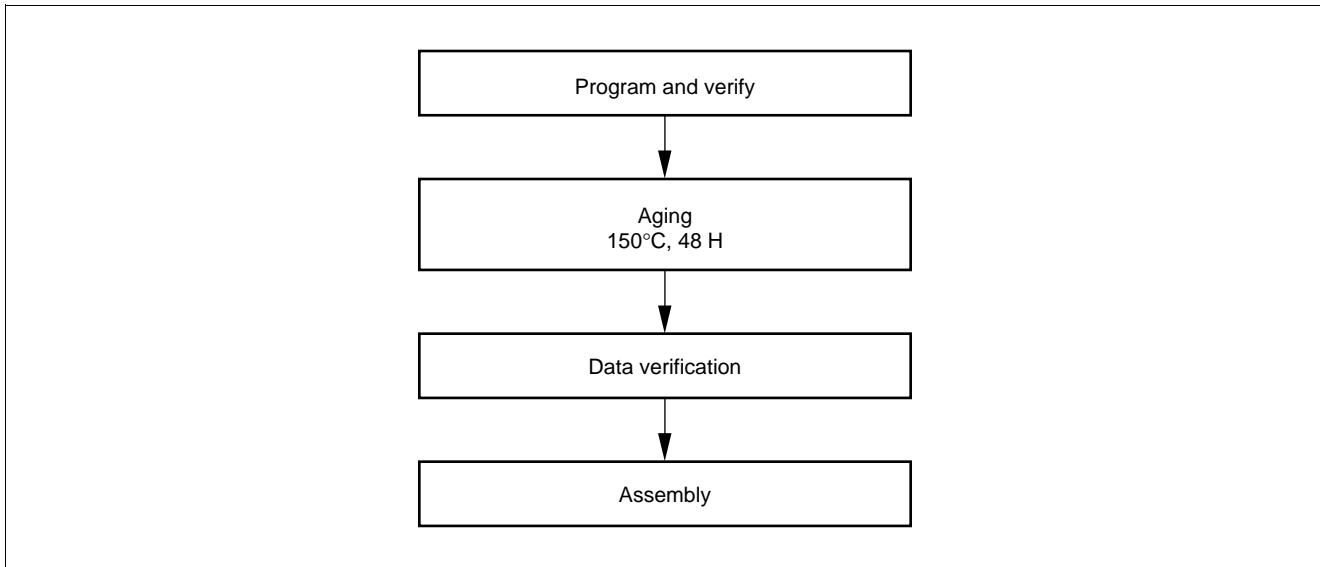
Use caution for the input voltage not to exceed  $AV_{CC}$  when the pin sharing the analog input for its function is used as an input port.

### 7. Programming Mode

When the MB90P663A is shipped from Fujitsu, all bits ( $48\text{ K} \times 8$  bits) are set to “1”. Program by setting selected bits to “0” when you wish to set the data. Note that “1” cannot be programming electrically.

## 8. Recommended Screening Conditions

High-temperature aging is recommended as the pre-assembly screening procedure for a product with a blanked OTPROM microcomputer program.



## 9. Programming Yields

All bits cannot be programmed at Fujitsu shipping test to a blanked OTPROM microcomputer, due to its nature. For this reason, a programming yield of 100% cannot be assured at all times.

## 10. Fluctuations in Supply Voltage

Although the assured  $V_{CC}$  supply voltage operating range is as specified, sudden fluctuations even within this range may cause a malfunction. Therefore, the voltage supply to the IC should be kept as constant as possible. The  $V_{CC}$  ripple (P-P value) at the supply frequency (50 to 60 Hz) should be less than 10% of the typical  $V_{CC}$  value, or the coefficient of excessive variation should not be more than 0.1 V/ms instantaneous change when power is supplied.

# MB90660A Series

## ■ PROGRAMMING THE MB90P663A EPROM

Since the MB90P663A is functionally equivalent to the MBM27C1000 when it is in EPROM mode, it is possible to program them with a general-purpose EPROM programmer by using a special adaptor socket.

However, the MB90660A does not support the electronic signature (device ID code) mode.

### 1. Pin Assignment in EPROM Mode

- MBM27C1000-compatible pins

MBM27C1000		MB90P663A			MBM27C1000		MB90P663A		
Pin no.	Pin name	Pin no.		Pin name	Pin no.	Pin name	Pin no.		Pin name
		SH-DIP	LQFP				SH-DIP	LQFP	
1	$V_{PP}$	29	21	MD2 ( $V_{PP}$ )	32	$V_{CC}$	64	56	$V_{CC}$
2	$\overline{OE}$	24	16	P32	31	$\overline{PGM}$	25	17	P33
3	A15	48	40	P17	30	NC	—	—	—
4	A12	45	37	P14	29	A14	47	39	P16
5	A07	56	48	P27	28	A13	46	38	P15
6	A06	55	47	P26	27	A08	41	33	P10
7	A05	54	46	P25	26	A09	42	34	P11
8	A04	53	45	P24	25	A11	44	36	P13
9	A03	52	44	P23	24	A16	22	14	P30
10	A02	51	43	P22	23	A10	43	35	P12
11	A01	50	42	P21	22	$\overline{CE}$	23	15	P31
12	A00	49	41	P20	21	D07	40	32	P07
13	D00	33	25	P00	20	D06	39	31	P06
14	D01	34	26	P01	19	D05	38	30	P05
15	D02	35	27	P02	18	D04	37	29	P04
16	GND	—	—	—	17	D03	36	28	P03

- Power supply, GND connection pins

Type	Pin no.		Pin name
	SH-DIP	LQFP	
Power	2	58	DTTI
	64	56	$V_{CC}$
GND	57	49	$V_{SS}$
	21	13	$AV_{SS}$
	27	19	$\overline{RST}$
	32	24	$V_{SS}$
	26	18	MD0
	3	59	P40
	4	60	P41
5	61	P42	

# MB90660A Series

• Pins other than MBM27C1000-compatible pins

Pin no.		Pin name	Processing
SH-DIP	LQFP		
30 28	22 20	X0 MD1	Pull-up by 4.7 K $\Omega$
31	23	X1	OPEN
9 10 11 to 18 19 20 58 to 63 1 6 to 8	1 2 3 to 10 11 12 50 to 55 57 62 to 64	P46 P47 P50 to P57 AV <sub>cc</sub> AVR P60 to P65 P66 P43 to P45	} 1 M $\Omega$ -level pull-up resistor connected to each pin

## 2. EPROM Programmer Socket Adapter and Recommended Programmer Manufacturer

Part no.	Package	Compatible socket adapter Sun Hayato Co., Ltd.	Recommended programmer manufacturer and programmer name		
			Minato Electronics Inc.	Data I/O Co., Ltd.	Advantest Corp.
MB90P663AP	SH-DIP-64	ROM-64SD-32DP-16L	Recommended	Recommended	Recommended
MB90P663APF	LQFP-64	ROM-64SF-32DP-16L	Recommended	Recommended	Recommended

Inquiry: Sun Hayato Co., Ltd.: TEL (81)-3-3986-0403

FAX (81)-3-5396-9106

Minato Electronics Inc.: TEL: USA (1)-916-348-6066

JAPAN (81)-45-591-5611

Data I/O Co., Ltd.: TEL: USA/ASIA (1)-206-881-6444

EUROPE (49)-8-985-8580

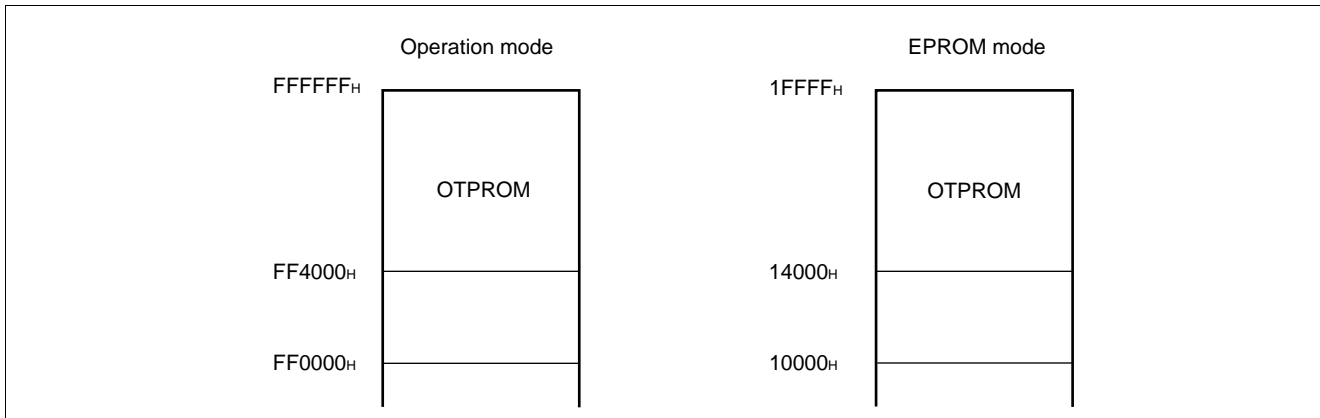
Advantest Corp.: TEL: Except JAPAN (81)-3-3930-4111

# MB90660A Series

## 3. Programming Data

- (1) Adjust the EPROM programmer to settings for the MBM27C1000.
- (2) Load program data from addresses 10000<sub>H</sub> to 1FFFF<sub>H</sub> in the EPROM programmer.

OTPROM addresses FF4000<sub>H</sub> to FFFFFFF<sub>H</sub> of the MB90P663A in operation mode correspond to addresses 14000<sub>H</sub> to 1FFFF<sub>H</sub> in EPROM mode.



- (3) Set the MB90P663A into the adaptor socket and install the adaptor socket into the EPROM programmer. Pay attention to the orientation of the device and the adaptor socket at this time.
- (4) Programming data to the EPROM.
- (5) If data cannot be programmed, try again with a 0.1  $\mu$ F capacitor connected between V<sub>CC</sub> and GND and V<sub>PP</sub> and GND.

Note: Since Mask ROM products (MB90662A/663A) do not include an EPROM mode, data cannot be read-out using an EPROM programmer.



## 4. PROM Option Bitmap

The programming method is the same as a PROM, and can be set by programming values to addresses indicated in the memory map.

The following bit map shows the relation between bits and options.

### • PROM Option Bitmap

Bit Address	7	6	5	4	3	2	1	0
00004 <sub>H</sub>	P07 Pull-up 1: No 0: Yes	P06 Pull-up 1: No 0: Yes	P05 Pull-up 1: No 0: Yes	P04 Pull-up 1: No 0: Yes	P03 Pull-up 1: No 0: Yes	P02 Pull-up 1: No 0: Yes	P01 Pull-up 1: No 0: Yes	P00 Pull-up 1: No 0: Yes
00008 <sub>H</sub>	P17 Pull-up 1: No 0: Yes	P16 Pull-up 1: No 0: Yes	P15 Pull-up 1: No 0: Yes	P14 Pull-up 1: No 0: Yes	P13 Pull-up 1: No 0: Yes	P12 Pull-up 1: No 0: Yes	P11 Pull-up 1: No 0: Yes	P10 Pull-up 1: No 0: Yes
0000C <sub>H</sub>	P27 Pull-up 1: No 0: Yes	P26 Pull-up 1: No 0: Yes	P25 Pull-up 1: No 0: Yes	P24 Pull-up 1: No 0: Yes	P23 Pull-up 1: No 0: Yes	P22 Pull-up 1: No 0: Yes	P21 Pull-up 1: No 0: Yes	P20 Pull-up 1: No 0: Yes
00010 <sub>H</sub>	P43 Pull-up 1: No 0: Yes	P42 Pull-up 1: No 0: Yes	P41 Pull-up 1: No 0: Yes	P40 Pull-up 1: No 0: Yes	P33 Pull-up 1: No 0: Yes	P32 Pull-up 1: No 0: Yes	P31 Pull-up 1: No 0: Yes	P30 Pull-up 1: No 0: Yes
00014 <sub>H</sub> *1	P47 Pull-up 1: No 0: Yes	P46 Pull-up 1: No 0: Yes	P45 Pull-up 1: No 0: Yes	P44 Pull-up 1: No 0: Yes	$\overline{RST}$ Pull-up 1: No 0: Yes	DTTI Pull-up 1: No 0: Yes	Accept asyn- chronous reset 1: Yes 0: No	MD1/MD0*2 Pull-up 1: No 0: Yes
00018 <sub>H</sub>	Open	P66 Pull-up 1: No 0: Yes	P65 Pull-up 1: No 0: Yes	P64 Pull-up 1: No 0: Yes	P63 Pull-up 1: No 0: Yes	P62 Pull-up 1: No 0: Yes	P61 Pull-up 1: No 0: Yes	P60 Pull-up 1: No 0: Yes

Initially (value when blank), all bits are "1".

\*1: Under this release, the pull-up resistor is cut-off during stop mode for pins for which the pull-up option was selected. (Pins for which the circuit type shown in the "■ Pin Description" is B or E.)  
However, the pull-up resistor is not cut-off even in stop mode for P44 to 47,  $\overline{RST}$ , DTTI (pins for which the circuit type shown in the "■ Pin Description" is D or G), and MD1 and MD0.

\*2: Whether or not a pull-up/pull-down resistor is present for MD2, MD1 and MD0 is determined as follows. If pull-up/pull-down resistor is selected, it is included with all 2 (or 3) pins. Presence or absence of the pull-up or pull-down resistors for the mode terminal cannot be selected for each pin.

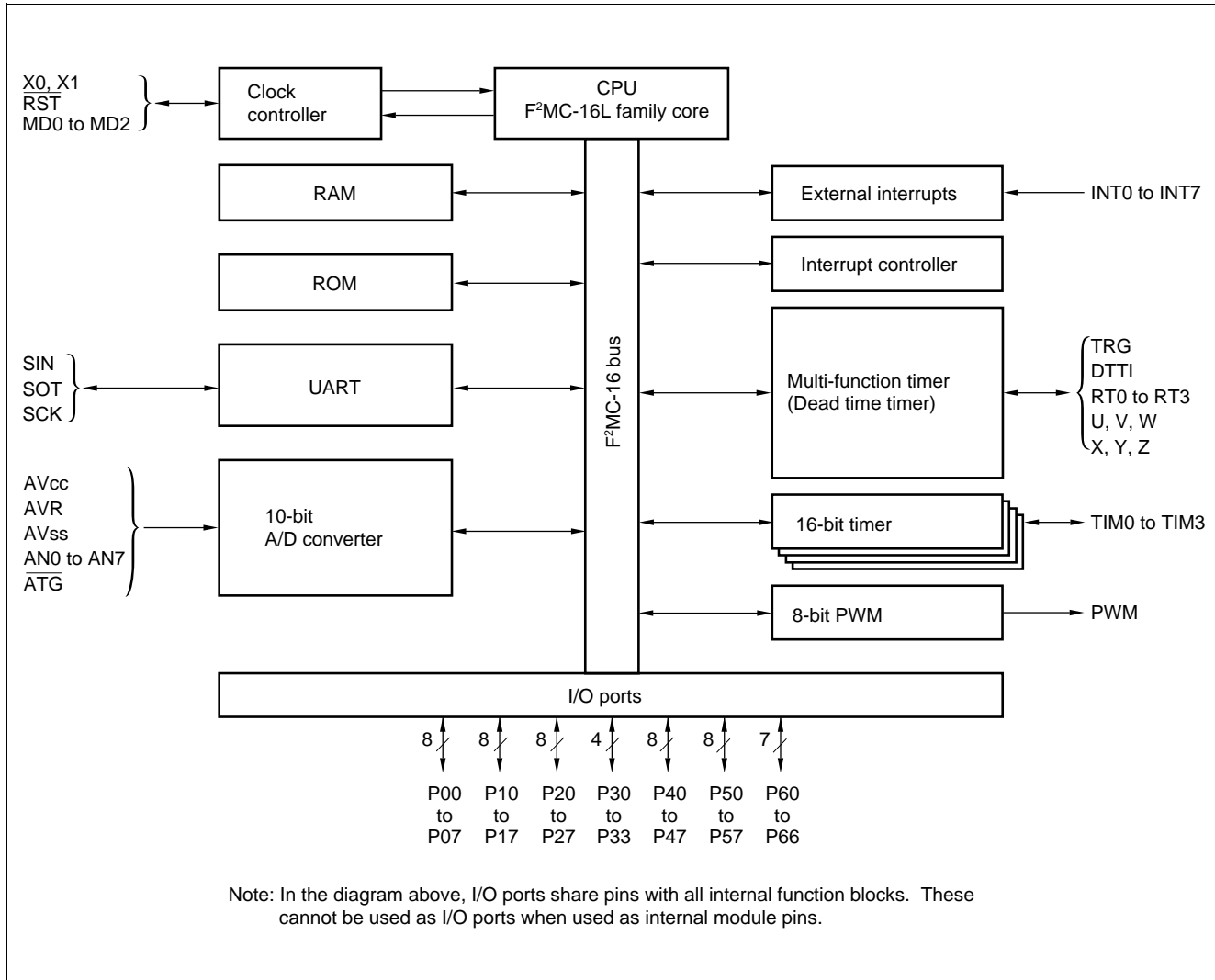
Pin	MB90P663A	MB90663A/2A
MD2	No	Pull-down can be selected
MD1	With pull-up resistor	With pull-up resistor
MD0	With pull-up resistor	With pull-up resistor

Notes: • "FF<sub>H</sub>" must be set to addresses no defined in the table above.

- Since the option setting for the MB90P663A takes 8 machine cycles, the option setting is not made until a clock is provided after power-on. (This results in no pull-up for all pins, and asynchronous reset input is accepted.)

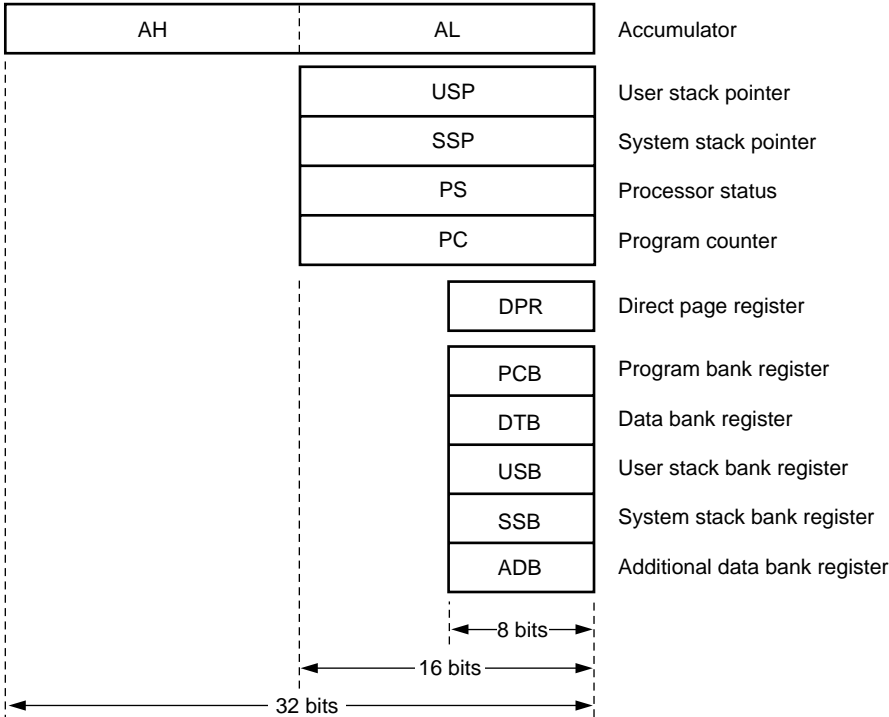
# MB90660A Series

## ■ BLOCK DIAGRAM

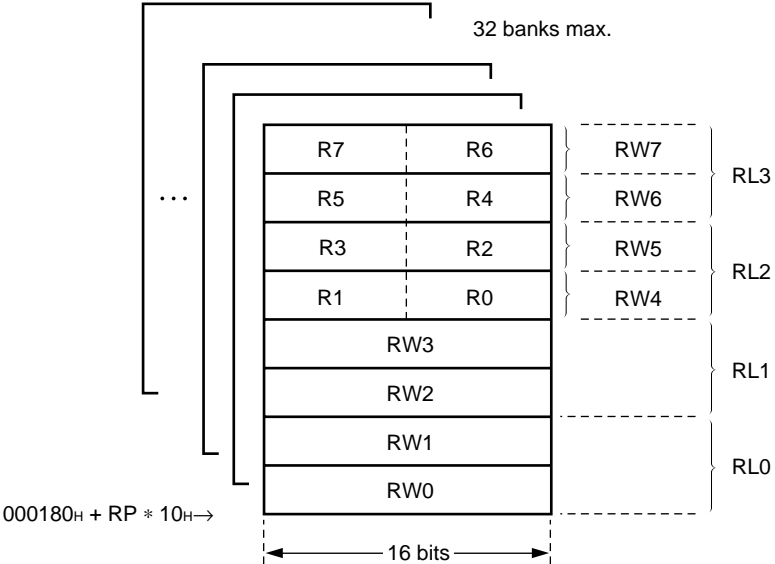


## ■ F<sup>2</sup>MC-16L CPU PROGRAMMING MODEL

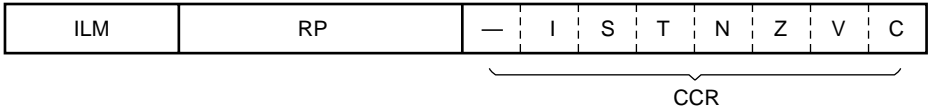
### • Dedicated Registers



### • General-purpose Registers

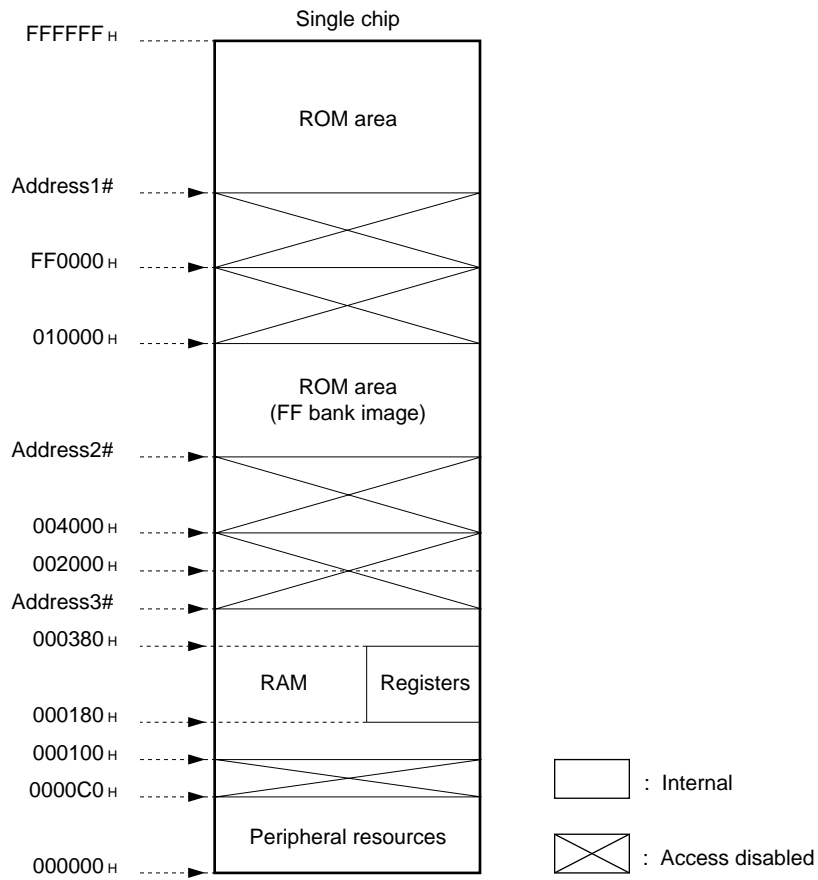


### • Processor States (PS)



# MB90660A Series

## MEMORY MAP



Product Model	Address #1	Address #2	Address #3
MB90662A	FF8000 <sub>H</sub>	008000 <sub>H</sub>	000780 <sub>H</sub>
MB90663A	FF4000 <sub>H</sub>	004000 <sub>H</sub>	000900 <sub>H</sub>
MB90P663A	FF4000 <sub>H</sub>	004000 <sub>H</sub>	000900 <sub>H</sub>

# MB90660A Series

## ■ I/O MAP

Address	Register	Name	Access <sup>2</sup>	Resource name	Initial value
000000 <sub>H</sub>	Port 0 data register	PDR0	R/W*	Port 0	XXXXXXXXXX
000001 <sub>H</sub>	Port 1 data register	PDR1	R/W*	Port 1	XXXXXXXXXX
000002 <sub>H</sub>	Port 2 data register	PDR2	R/W*	Port 2	XXXXXXXXXX
000003 <sub>H</sub>	Port 3 data register	PDR3	R/W*	Port 3	----XXXX
000004 <sub>H</sub>	Port 4 data register	PDR4	R/W!	Port 4	XXXXXXXXXX
000005 <sub>H</sub>	Port 5 data register	PDR5	R/W*	Port 5	11111111
000006 <sub>H</sub>	Port 6 data register/ Port data buffer register	PDR6/ PDBR	R/W*	Port 6	-XXXXXXXXX
000007 <sub>H</sub> to 0F <sub>H</sub>	Vacancy	—	*1	—	—
000010 <sub>H</sub>	Port 0 direction register	DDR0	R/W	Port 0	00000000
000011 <sub>H</sub>	Port 1 direction register	DDR1	R/W	Port 1	00000000
000012 <sub>H</sub>	Port 2 direction register	DDR2	R/W	Port 2	00000000
000013 <sub>H</sub>	Port 3 direction register	DDR3	R/W	Port 3	----0000
000014 <sub>H</sub>	Port 4 direction register	DDR4	R/W	Port 4	----0000
000015 <sub>H</sub>	Analog input enable register	ADER	R/W	Port 5	11111111
000016 <sub>H</sub>	Port 6 direction register	DDR6	R/W	Port 6	-0000000
000017 <sub>H</sub> to 1B <sub>H</sub>	Vacancy	—	*1	—	—
00001C <sub>H</sub> to 1F <sub>H</sub>	System reserved area	—	*1	—	—
000020 <sub>H</sub>	PWM operation mode control register	PWMC	R/W	PWM	00000--1
000021 <sub>H</sub>	Vacancy	—	*1		—
000022 <sub>H</sub>	PWM reload register	PRLH	R/W		XXXXXXXXXX
000023 <sub>H</sub>		PRLH	R/W	XXXXXXXXXX	
000024 <sub>H</sub>	Serial mode register	SMR	R/W!	UART	00000-00
000025 <sub>H</sub>	Serial control register	SCR	R/W!		00000100
000026 <sub>H</sub>	Serial input data register/ Serial output data register	SIDR/ SODR	R/W		XXXXXXXXXX
000027 <sub>H</sub>	Serial status register	SSR	R/W!		00001-00
000028 <sub>H</sub>	Interrupt enable register	ENIR	R/W	External interrupt	00000000
000029 <sub>H</sub>	Interrupt source register	EIRR	R/W	External interrupt	XXXXXXXXXX
00002A <sub>H</sub>	Request level setting register	ELVR	R/W		00000000
00002B <sub>H</sub>					00000000
00002C <sub>H</sub>	A/D control status register	ADCS	R/W!	A/D converter	00000000
00002D <sub>H</sub>					00000000

(Continued)

# MB90660A Series

(Continued)

Address	Register	Name	Access <sup>*2</sup>	Resource name	Initial value
00002E <sub>H</sub>	A/D data register	ADCR	R/W!	A/D converter	XXXXXXXXXX
00002F <sub>H</sub>					000000XX
000030 <sub>H</sub>	Control status register	TMCSR0	R/W	16-bit reload timer 0	00000000
000031 <sub>H</sub>					----0000
000032 <sub>H</sub>	16-bit timer register/ 16-bit reload register	TMR0/ TMRLR0	R/W		XXXXXXXXXX
000033 <sub>H</sub>					XXXXXXXXXX
000034 <sub>H</sub>	Control status register	TMCSR1	R/W	16-bit reload timer 1	00000000
000035 <sub>H</sub>					----0000
000036 <sub>H</sub>	16-bit timer register/ 16-bit reload register	TMR1/ TMRLR1	R/W		XXXXXXXXXX
000037 <sub>H</sub>					XXXXXXXXXX
000038 <sub>H</sub>	Control status register	TMCSR2	R/W	16-bit reload timer 2	00000000
000039 <sub>H</sub>					----0000
00003A <sub>H</sub>	16-bit timer register/ 16-bit reload register	TMR2/ TMRLR2	R/W		XXXXXXXXXX
00003B <sub>H</sub>					XXXXXXXXXX
00003C <sub>H</sub>	Control status register	TMCSR3	R/W	16-bit reload timer 3	00000000
00003D <sub>H</sub>					----0000
00003E <sub>H</sub>	16-bit timer register/ 16-bit reload register	TMR3/ TMRLR3	R/W		XXXXXXXXXX
00003F <sub>H</sub>					XXXXXXXXXX
000040 <sub>H</sub>	Timer control status register	TCSR	R/W!	Multi-function timer	10000000
000041 <sub>H</sub>	Compare interrupt control register	CICR	R/W		00000000
000042 <sub>H</sub>	Timer mode control register	TMCR	R/W!		001-0000
000043 <sub>H</sub>	Compare/data select register	COER	R/W		----0000
000044 <sub>H</sub>	Compare buffer mode control register	CMCR	R/W		----0000
000045 <sub>H</sub>	Zero detect output control register	ZOCTR	W		---X0000
000046 <sub>H</sub>	Output control buffer register	OCTBR	R/W		11111111
000047 <sub>H</sub>	Zero detect interrupt control register	ZICR	R/W!		0---XXXX
000048 <sub>H</sub>	Output compare buffer register 0	OCPBR0	W		XXXXXXXXXX
000049 <sub>H</sub>					--XXXXXXXX
00004A <sub>H</sub>	Output compare buffer register 1	OCPBR1	W		XXXXXXXXXX
00004B <sub>H</sub>					--XXXXXXXX
00004C <sub>H</sub>	Output compare buffer register 2	OCPBR2	W		XXXXXXXXXX
00004D <sub>H</sub>					--XXXXXXXX

(Continued)

# MB90660A Series

(Continued)

Address	Register	Name	Access <sup>*2</sup>	Resource name	Initial value
00004E <sub>H</sub>	Output compare buffer register 3	OCPBR3	W	Multi-function timer	XXXXXXXX
00004F <sub>H</sub>					--XXXXXX
000050 <sub>H</sub>	Compare clear buffer register	CLRBR	W		00000000
000051 <sub>H</sub>					--000000
000052 <sub>H</sub>	Dead time control register	DTCR	R/W!		00000000
000053 <sub>H</sub>	Dead time setting register	DTSR	W		XXX0XXXX
000054 <sub>H</sub>	Dead time compare register	DTCMR	W		XXXXXXXXXX
000055 <sub>H</sub>	Vacancy	—	*1	—	—
000056 <sub>H</sub>	Timer pin control register	TPCR	R/W	16-bit reload timer	-001-000
000057 <sub>H</sub>					-011-010
000058 <sub>H</sub> to 5E <sub>H</sub>	Vacancy	—	*1	—	—
00005F <sub>H</sub>	Machine clock division control register	CDCR	W	UART	----1111
000060 <sub>H</sub> to 8F <sub>H</sub>	Vacancy	—	*1	—	—
000090 <sub>H</sub> to 9E <sub>H</sub>	System reserved area	—	*1	—	—
00009F <sub>H</sub>	Delayed interrupt source generate/ cancel register	DIRR	R/W	Delayed interrupt generator module	-----0
0000A0 <sub>H</sub>	Low power mode control register	LPMCR	R/W!	Low power	00011000
0000A1 <sub>H</sub>	Clock select register	CKSCR	R/W!		11111100
0000A2 <sub>H</sub> to A7 <sub>H</sub>	System reserved area	—	*1	—	—
0000A8 <sub>H</sub>	Watchdog timer control register	WDTC	R/W!	Watchdog timer	X-XXX111
0000A9 <sub>H</sub>	Timebase timer control register	TBTC	R/W!	Timebased timer	1--00100
0000AA <sub>H</sub> to AF <sub>H</sub>	System reserved area	—	*1	—	—
0000B0 <sub>H</sub>	Interrupt control register 00	ICR00	R/W!	Interrupt controller	00000111
0000B1 <sub>H</sub>	Interrupt control register 01	ICR01	R/W!		00000111
0000B2 <sub>H</sub>	Interrupt control register 02	ICR02	R/W!		00000111
0000B3 <sub>H</sub>	Interrupt control register 03	ICR03	R/W!		00000111
0000B4 <sub>H</sub>	Interrupt control register 04	ICR04	R/W!		00000111
0000B5 <sub>H</sub>	Interrupt control register 05	ICR05	R/W!		00000111
0000B6 <sub>H</sub>	Interrupt control register 06	ICR06	R/W!		00000111
0000B7 <sub>H</sub>	Interrupt control register 07	ICR07	R/W!		00000111

(Continued)

# MB90660A Series

(Continued)

Address	Register	Name	Access <sup>*2</sup>	Resource name	Initial value
0000B8 <sub>H</sub>	Interrupt control register 08	ICR08	R/W!	Interrupt controller	0 0 0 0 0 1 1 1
0000B9 <sub>H</sub>	Interrupt control register 09	ICR09	R/W!		0 0 0 0 0 1 1 1
0000BA <sub>H</sub>	Interrupt control register 10	ICR10	R/W!		0 0 0 0 0 1 1 1
0000BB <sub>H</sub>	Interrupt control register 11	ICR11	R/W!		0 0 0 0 0 1 1 1
0000BC <sub>H</sub>	Interrupt control register 12	ICR12	R/W!		0 0 0 0 0 1 1 1
0000BD <sub>H</sub>	Interrupt control register 13	ICR13	R/W!		0 0 0 0 0 1 1 1
0000BE <sub>H</sub>	Interrupt control register 14	ICR14	R/W!		0 0 0 0 0 1 1 1
0000BF <sub>H</sub>	Interrupt control register 15	ICR15	R/W!		0 0 0 0 0 1 1 1
0000C0 <sub>H</sub> to FF <sub>H</sub>	System reserved area	—	*1	—	—

\*1: Access prohibited

\*2: Registers marked “R/W!” in the access column include some bits that can only be read or only be written. For details, see the register list for each resource.

\* : When a register marked “R/W!”, “R/W\*” or “W” in the access column is accessed by a read-modify-write instruction (such as a bit set instruction), the bit operated on by the instruction will be set to the specified value, but a malfunction will occur if there are any other bits which can only be written. Therefore, do not access these locations using these instructions.

## Description of Initial Values

0: The initial value of this bit is “0”.

1: The initial value of this bit is “1”.

\*: The initial value of this bit is “1” or “0”. (This is determined depending on the level of the MD0 to MD2 pins.)

X: The initial value of this bit is undefined.

—: This bit is not used. The initial value is undefined.

Note: The initial value results for bits which can only be written when initialized by a reset. Note that this is not the value when read.

Also, sometimes LPMCR, CKSCR and WDTC are initialized and sometimes they are not depending on the type of reset. If they are initialized, the initial value is used.



## ■ INTERRUPT SOURCES, INTERRUPT VECTORS AND INTERRUPT CONTROL REGISTERS

Interrupt source	I <sup>2</sup> OS support	Interrupt vector			Interrupt control register	
		Number	Address	Address	ICR	Address
Reset	×	#08	08 <sub>H</sub>	FFFFDC <sub>H</sub>	—	—
INT9 instruction	×	#09	09 <sub>H</sub>	FFFFD8 <sub>H</sub>	—	—
Exception	×	#10	0A <sub>H</sub>	FFFFD4 <sub>H</sub>	—	—
Multi-function timer DTTI input	×	#12	0C <sub>H</sub>	FFFFCC <sub>H</sub>	ICR00	0000B0 <sub>H</sub>
External interrupt #0	○	#13	0D <sub>H</sub>	FFFFC8 <sub>H</sub>	ICR01	0000B1 <sub>H</sub>
External interrupt #4	○	#14	0E <sub>H</sub>	FFFFC4 <sub>H</sub>		
Multi-function timer trigger input or zero detect	○	#15	0F <sub>H</sub>	FFFFC0 <sub>H</sub>	ICR02	0000B2 <sub>H</sub>
Multi-function timer zero detect	○	#17	11 <sub>H</sub>	FFFFB8 <sub>H</sub>	ICR03	0000B3 <sub>H</sub>
Multi-function timer overflow, compare clear or zero detect	○	#19	13 <sub>H</sub>	FFFFB0 <sub>H</sub>	ICR04	0000B4 <sub>H</sub>
External interrupt #1	○	#21	15 <sub>H</sub>	FFFFA8 <sub>H</sub>	ICR05	0000B5 <sub>H</sub>
Multi-function timer compare match	×	#22	16 <sub>H</sub>	FFFFA4 <sub>H</sub>		
External interrupt #5	○	#23	17 <sub>H</sub>	FFFFA0 <sub>H</sub>	ICR06	0000B6 <sub>H</sub>
PWM underflow	×	#24	18 <sub>H</sub>	FFFF9C <sub>H</sub>		
External interrupt #2	○	#25	19 <sub>H</sub>	FFFF98 <sub>H</sub>	ICR07	0000B7 <sub>H</sub>
External interrupt #6	○	#26	1A <sub>H</sub>	FFFF94 <sub>H</sub>		
16-bit reload timer #0	○	#27	1B <sub>H</sub>	FFFF90 <sub>H</sub>	ICR08	0000B8 <sub>H</sub>
16-bit reload timer #1	○	#28	1C <sub>H</sub>	FFFF8C <sub>H</sub>		
16-bit reload timer #2	○	#29	1D <sub>H</sub>	FFFF88 <sub>H</sub>	ICR09	0000B9 <sub>H</sub>
16-bit reload timer #3	○	#30	1E <sub>H</sub>	FFFF84 <sub>H</sub>		
End of A/D converter conversion	○	#31	1F <sub>H</sub>	FFFF80 <sub>H</sub>	ICR10	0000BA <sub>H</sub>
Timebase timer interval interrupt	×	#34	22 <sub>H</sub>	FFFF74 <sub>H</sub>	ICR11	0000BB <sub>H</sub>
UART send complete	○	#35	23 <sub>H</sub>	FFFF70 <sub>H</sub>	ICR12	0000BC <sub>H</sub>
UART receive complete	◎	#37	25 <sub>H</sub>	FFFF68 <sub>H</sub>	ICR13	0000BD <sub>H</sub>
External interrupt #3	○	#39	27 <sub>H</sub>	FFFF60 <sub>H</sub>	ICR14	0000BE <sub>H</sub>
External interrupt #7	○	#40	28 <sub>H</sub>	FFFF5C <sub>H</sub>		
Delayed interrupt generator module	×	#42	2A <sub>H</sub>	FFFF54 <sub>H</sub>	ICR15	0000BF <sub>H</sub>

○: indicates that the interrupt request flag is cleared by the I<sup>2</sup>OS interrupt clear signal (no stop request).

◎: indicates that the interrupt request flag is cleared by the I<sup>2</sup>OS interrupt clear signal (with stop request).

×: indicates that the interrupt request flag is not cleared by the I<sup>2</sup>OS interrupt clear signal.

Note: Do not specify I<sup>2</sup>OS activation in interrupt control registers that do not support I<sup>2</sup>OS.

# MB90660A Series

## ■ PERIPHERAL RESOURCES

### 1. Parallel Port

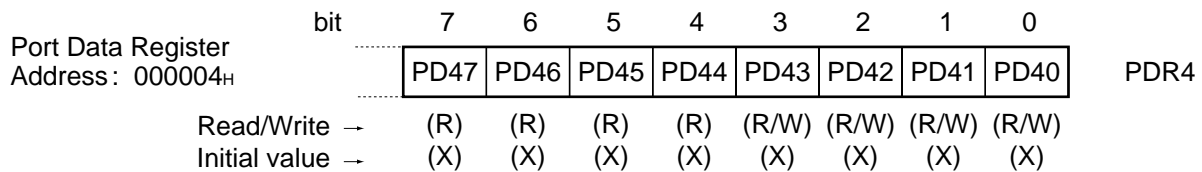
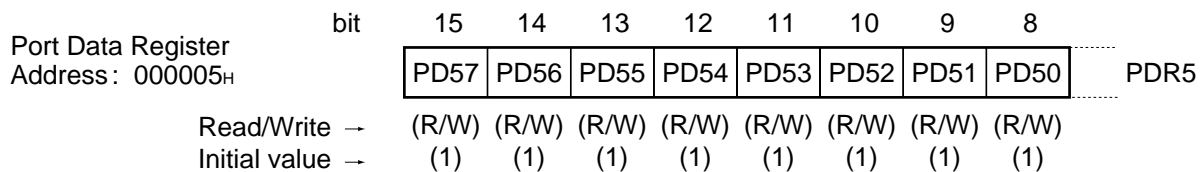
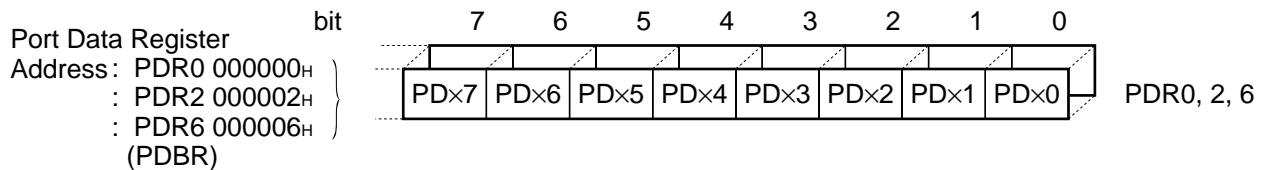
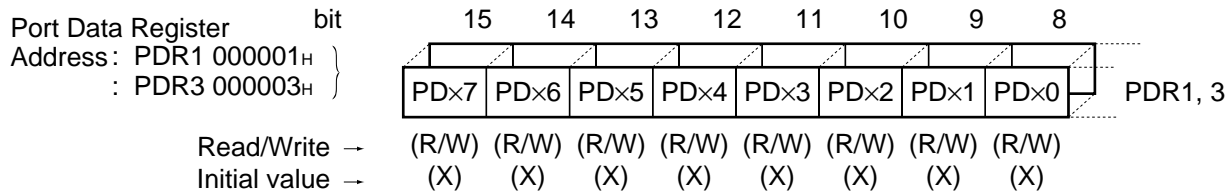
The MB90660A includes 39 I/O pins, 4 input pins, and 8 open-drain output pins.

Port 0, 1, 2, 3 and 6 are I/O ports. They are used for input when the corresponding direction register value is “0”, and for output when the value is “1”.

Port 5 is an open-drain port. It is used as a port when the analog input enable register is “0”.

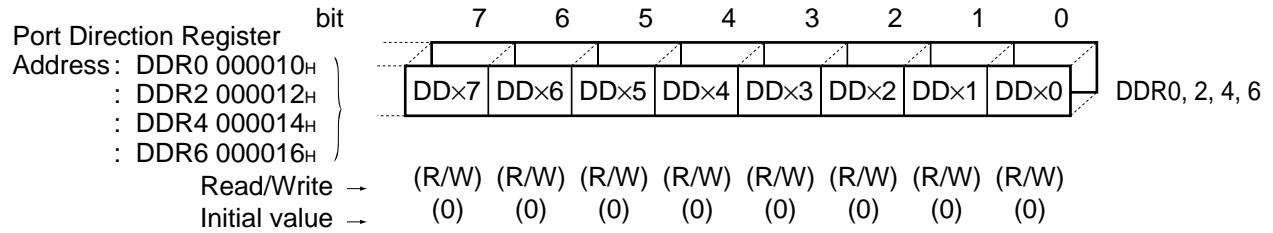
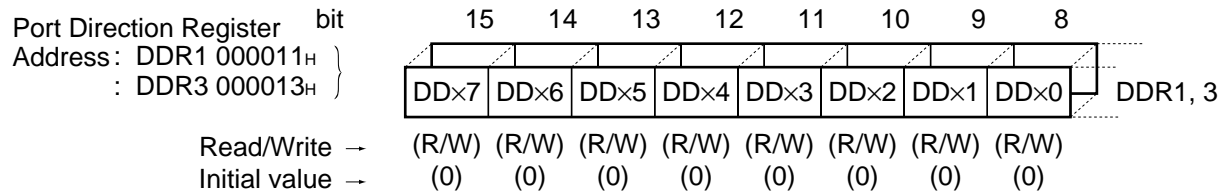
Ports 40 to 43 are I/O ports. They are used for input when the corresponding direction register value is “0”, and for output when the value is “1”. Ports 44 to 47 are input ports which can only be used for reading data.

#### (1) Register Configuration

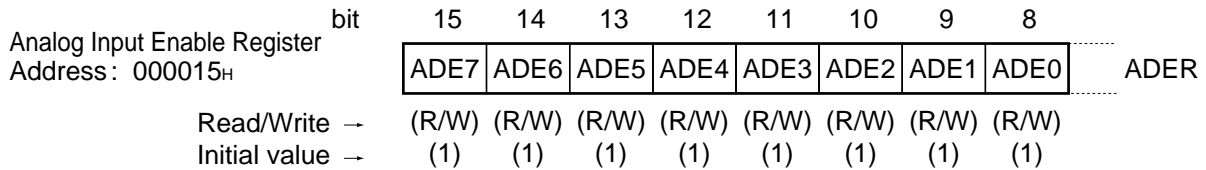


Notes: There are no register bits for bits 15 to 12 of Port 3.  
 There is no register bit for bit 7 of Port 6.  
 Bits 7 to 4 of Port 4 can only be used to read data.

# MB90660A Series



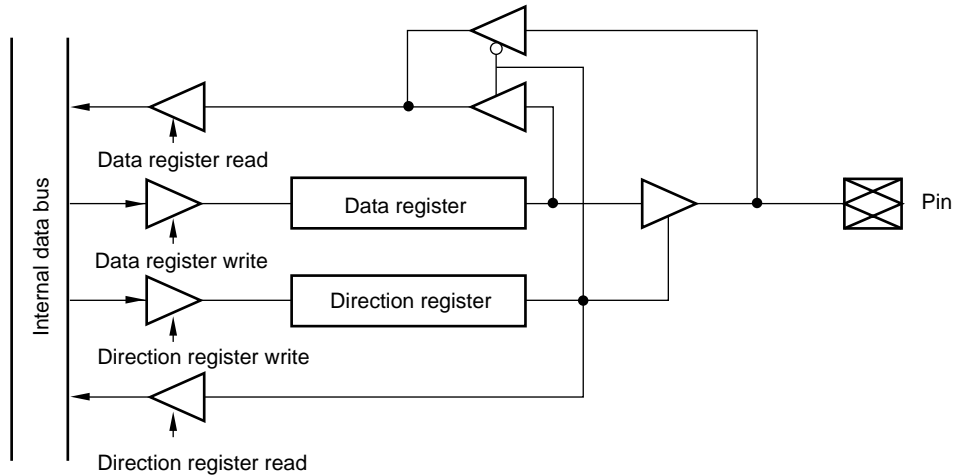
- Notes:
- There are no register bits for bits 15 to 12 of Port 3.
  - There are not register bits for bits 7 to 4 of Port 4
  - There is no DDR for Port 5.
  - There is no register bit for bit 7 of Port 6.



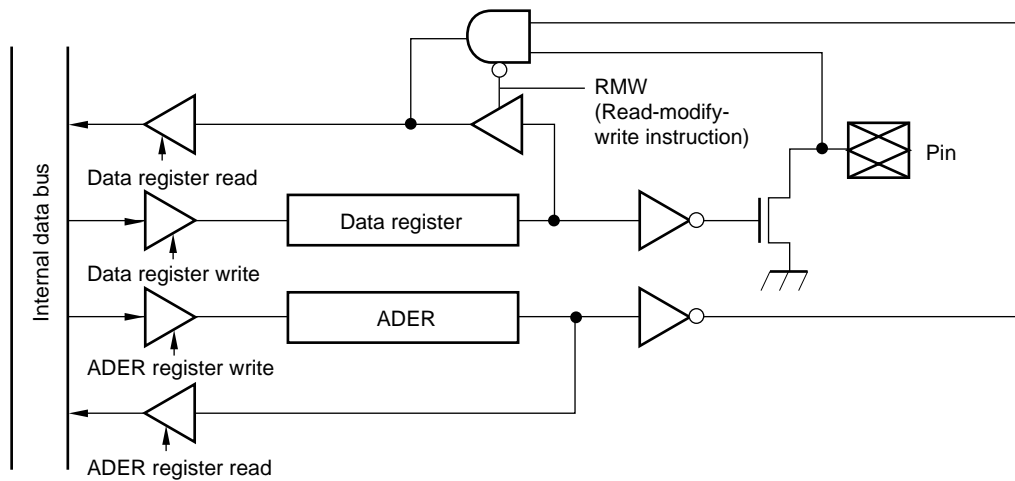
# MB90660A Series

## (2) Block Diagrams

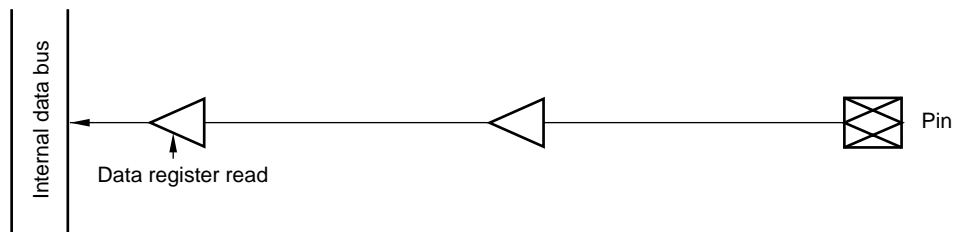
### • I/O Ports



### • Open-drain Ports (Also Used for Analog Input)



### • Input Ports



## 2. Multi-function Timer

The multi-function timer controls up to 7 realtime output pins, and includes the following functions.

- Interval timer function  
It can output pulses or generate an interrupt at a fixed interval.
- PWM output function  
Can perform output for a fixed cycle pulse while changing the duty ratio (ratio between “L” output width and “H” output width) in realtime.
- 3-phase AC sine wave output (inverter control output) function  
Can perform 3-phase AC sine wave output using AC motor inverter control, etc. (using any setting for the non-overlap interval)

This timer also has the following characteristics.

- Pulse cycle control using 14-bit timer  
A machine cycle of 1, 2, 8 or 16 can be selected based on pre-scalars as the clock source (Minimum resolution of 62.5 ns at 16 MHz operation).  
Can use a carrier frequency up to 30 KHz at 8-bit stop when used for AC motor control.  
Up count only or up/down count can be selected using the count mode selection.  
Possessing a buffer, cycle can be changed in realtime by transferring data from buffer upon zero detect.
- Duty control using compare registers  
Possessing four compare registers, output pulse duty can be set for four separate channels.  
Each possessing a separate buffer, duty can be changed in realtime by transferring data from buffer upon zero detect or comparison.
- Non-overlap control using dead time timer  
Dead time timer can be used to generate PWM output for three channels or even reversed signals with non-overlap, thus allowing an AC motor control wave (U, V, W, X, Y, Z) to be generated.  
A machine cycle of 1, 4, 8 or 32 can be selected based on pre-scalars as the clock source for the dead timer (Minimum resolution of 62.5 ns at 16 MHz operation)
- Forced stop control using DTTI pin input  
The forced pin output level can be fixed by DTTI pin input or software.  
Inactive control can be performed during AC motor control using DTTI pin input.  
External pin control even during vibration stop can be performed through clockless DTTI pin input.
- Event detection and interrupt generation using various flags  
Flags can be set and/or interrupts generated upon zero detect, overflow, detect of match with compare registers, or clear by TRG pin input, or any match of the compare registers for the four channels for the 14-bit timer (also possible to disable interrupt output).

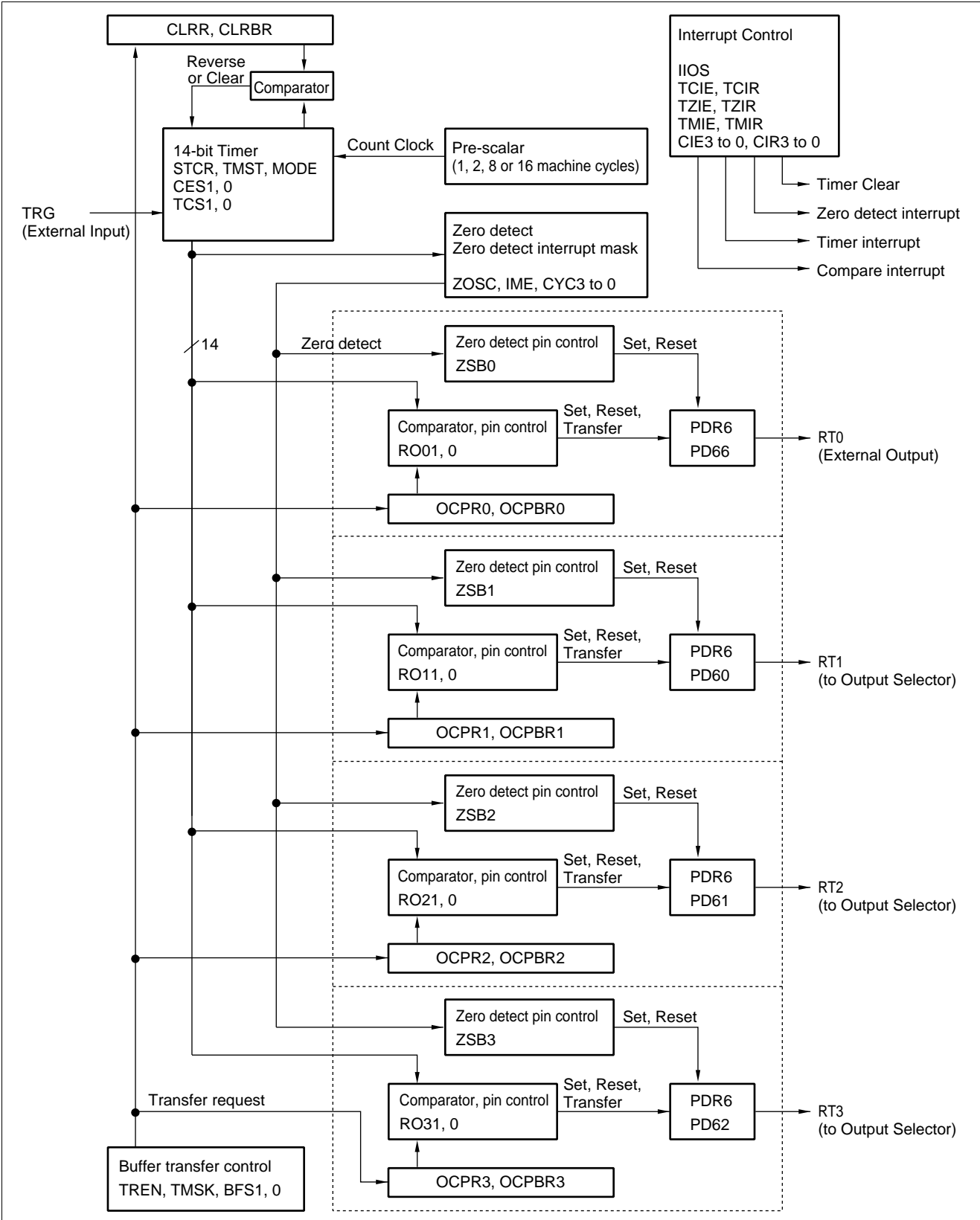
# MB90660A Series

## (1) Register Configuration

Address : 000040H	← 8 bits →	TCSR	(R/W) Timer control status register
Address : 000041H		CICR	(R/W) Compare interrupt control register
Address : 000042H		TMCR	(R/W) Timer mode control register
Address : 000043H		COER	(R/W) Compare/data select register
Address : 000044H		CMCR	(R/W) Compare buffer mode control register
Address : 000045H		ZOCTR	(W) Zero detect output control register Output control register
		OCTR	
Address : 000046H		OCTBR	(R/W) Output control buffer register
Address : 000047H		ZICR	(R/W) Zero detect interrupt control register
	← 14 bits →	OCPR0 to 3	Output compare registers 0 to 3
Address : 000048H to : 00004FH		OCPBR0 to 3	(W) Output compare buffer registers 0 to 3
	← 14 bits →	CLRR	(W) Compare clear register
Address : 000050H : 000051H		CLRBR	(W) Compare clear buffer register
Address : 000052H		DTCR	(R/W) Dead time timer control register
Address : 000053H		DTSR	(W) Dead time setting register
Address : 000054H		DTCMR	(W) Dead time compare register
Address : 000006H		PDBR	(W) Port data buffer register

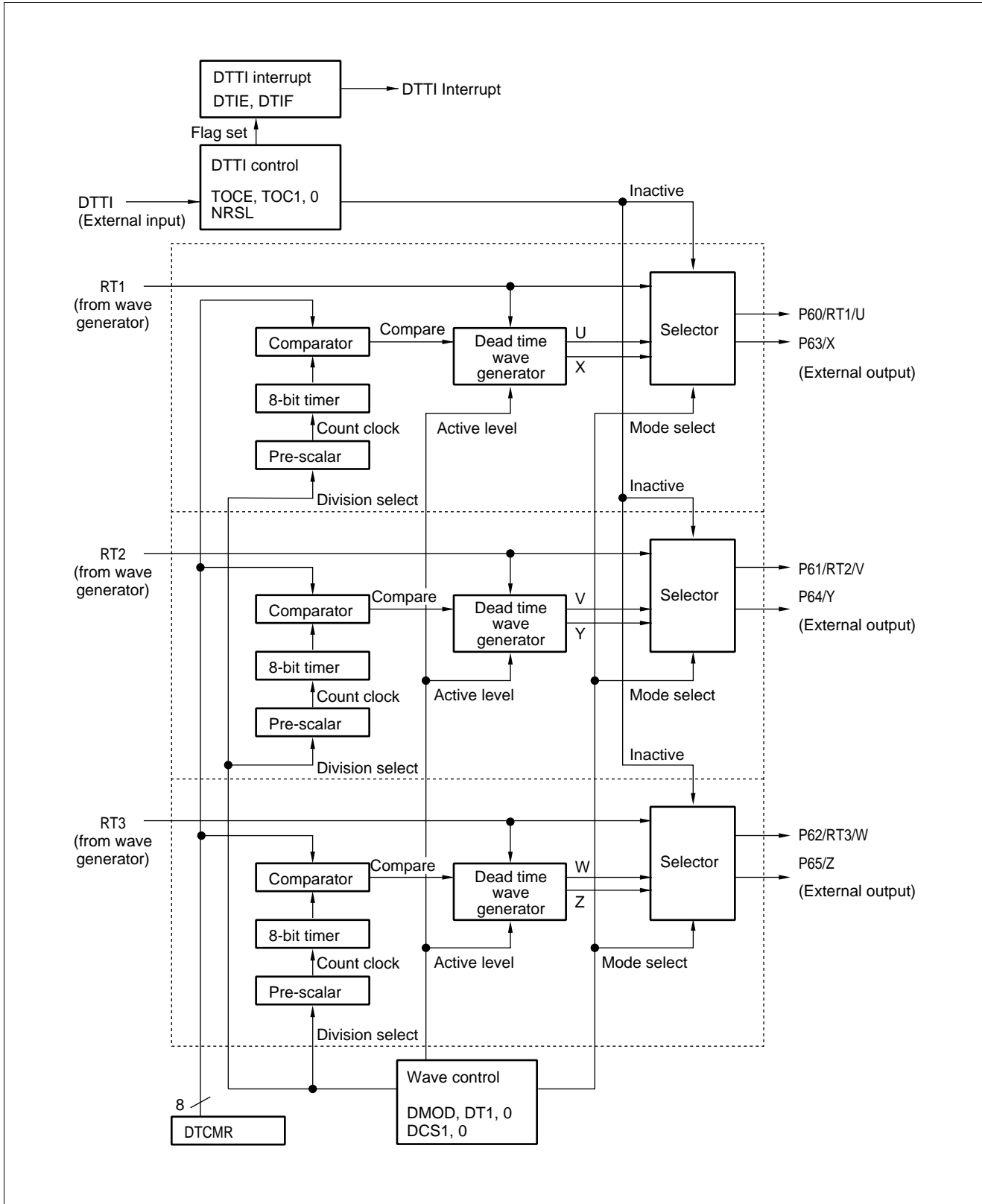
## (2) Block Diagrams

### • Timer/wave generator block diagram



# MB90660A Series

## • Output selector/dead time generator block diagram



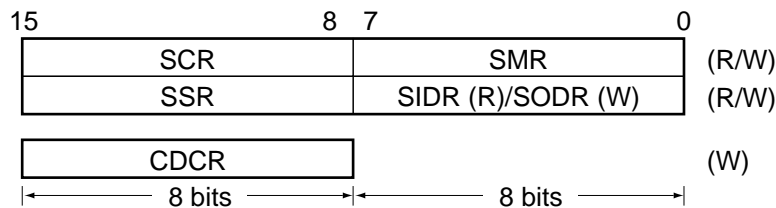


## 3. UART

The UART is a serial I/O port for asynchronous (start/stop) or CLK synchronous communications with external resources. It has the following characteristics:

- Full duplex double buffering
- Asynchronous (start/stop) or CLK synchronous communications
- Multiprocessor mode support
- Internal dedicated baud-rate generator
  - Asynchronous : 19230/9615/31250/4808/2404/1202 bps
  - CLK synchronous : 2 M/1 M/500 K/250 K bps
- Free baud-rate setting based on external clock
- Error detection functions (parity, framing and overrun)
- Use of NRZ coded transfer signal
- Supports intelligent I/O services

### (1) Register Configuration



bit	7	6	5	4	3	2	1	0	
Address : 000024 <sub>H</sub>	MD1	MD0	CS2	CS1	CS0	–	SCKE	SOE	Serial mode register (SMR)

bit	15	14	13	12	11	10	9	8	
Address : 000025 <sub>H</sub>	PEN	P	SBL	CL	A/D	REC	RXE	TXE	Serial control register (SCR)

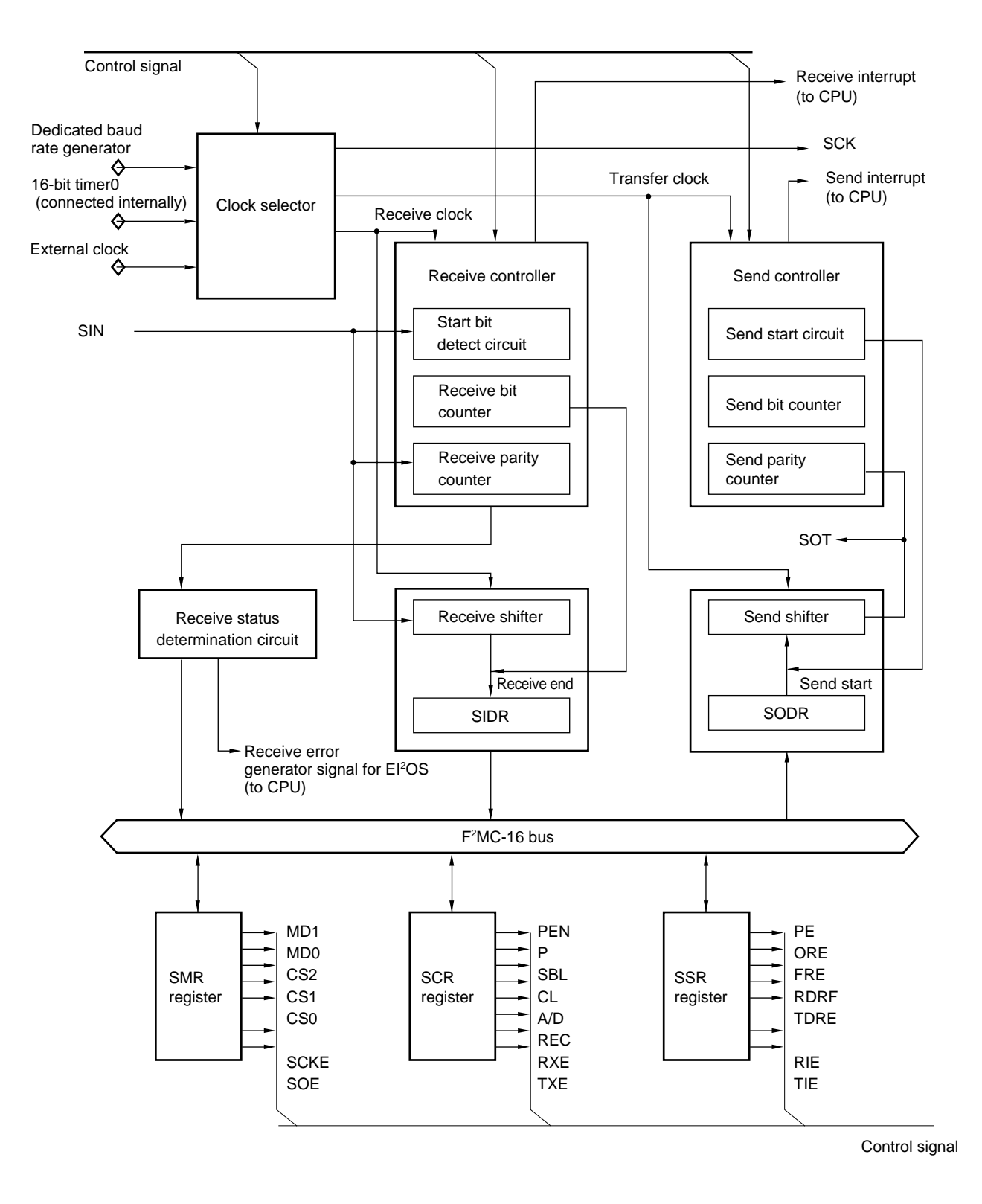
bit	7	6	5	4	3	2	1	0	
Address : 000026 <sub>H</sub>	D7	D6	D5	D4	D3	D2	D1	D0	Serial input register Serial output register (SIDR/SODR)

bit	15	14	13	12	11	10	9	8	
Address : 000027 <sub>H</sub>	PE	ORE	FRE	RDRF	TDRE	–	RIE	TIE	Serial status register (SSR)

bit	15	14	13	12	11	10	9	8	
Address : 00005F <sub>H</sub>	–	–	–	–	DIV3	DIV2	DIV1	DIV0	Machine clock division control register (CDCR)

# MB90660A Series

## (2) Block Diagram



## 4. 10-bit, 8-channel A/D Converter (with 8-bit Resolution Mode)

This 10-bit, 8-channel A/D converter is used to convert analog input voltage to corresponding digital values. It has the following features.

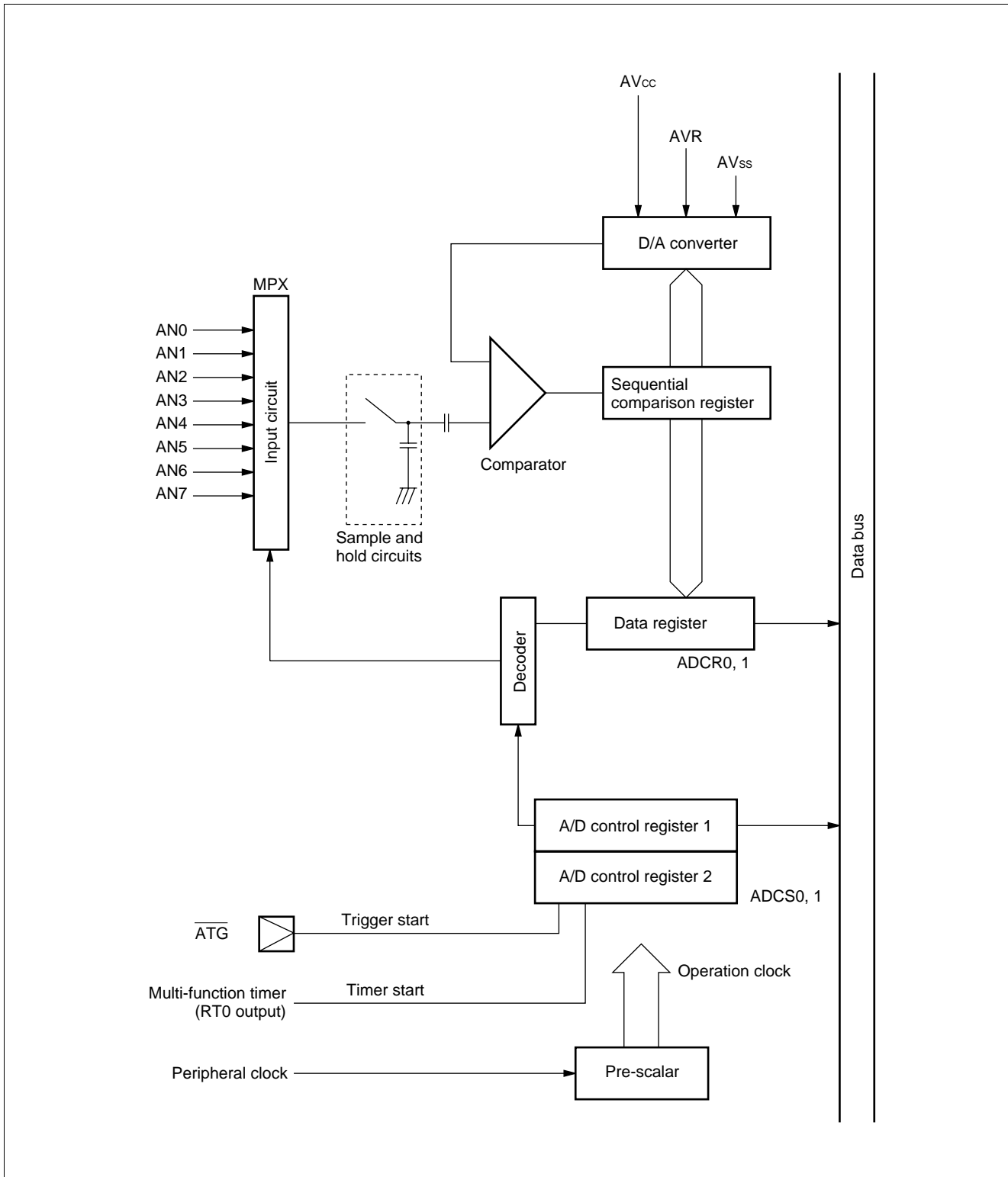
- Conversion time: 6.13  $\mu$ s per channel (includes sample and hold time at 98 machine cycles/machine clock of 16 MHz)
- Sample hold time: 3.75  $\mu$ s per channel (60 machine cycles per machine clock of 16 MHz)
- RC-type sequential approximation conversion with sample and hold circuits
- 10-bit or 8-bit resolution
- Analog input can be selected from 8 channels
  - Single conversion mode : One channel selected for conversion
  - Scan conversion mode : Consecutive multiple channels converted (programmable with max. eight channels)
  - Repetitive conversion mode : Data on the specified channel is converted repeatedly
  - Stop conversion mode : Once one channel is converted, operations stop and the device waits until started again (conversion start can be synchronized)
- At the end of each A/D conversion, an interrupt request to the CPU can be generated. This interrupt can be used to activate I<sup>2</sup>O/S or transfer A/D conversion results to memory, making it useful when continuous processing is desired.
- Conversion can be triggered by software, an external trigger (falling edge), and/or a timer (rising edge).

### (1) Register Configuration

		bit	15	14	13	12	11	10	9	8	
A/D Control status register (upper)											
Address: 00002D <sub>H</sub>			BUSY	INT	INTE	PAUS	STS1	STS0	STRT	Reserved	ADCS
Read/Write →			(R/W)	(R/W)	(R/W)	(R/W)	(R/W)	(R/W)	(W)	(-)	
Initial value →			(0)	(0)	(0)	(0)	(0)	(0)	(0)	(0)	
		bit	7	6	5	4	3	2	1	0	
A/D Control status register (lower)											
Address: 00002C <sub>H</sub>			MD1	MD0	ANS2	ANS1	ANS0	ANE2	ANE1	ANE0	ADCS
Read/Write →			(R/W)	(R/W)	(R/W)	(R/W)	(R/W)	(R/W)	(R/W)	(R/W)	
Initial value →			(0)	(0)	(0)	(0)	(0)	(0)	(0)	(0)	
		bit	15	14	13	12	11	10	9	8	
A/D Data register (upper)											
Address: 00002F <sub>H</sub>			S10	-	-	-	-	-	D9	D8	ADCR
Read/Write →			(R/W)	(R)	(R)	(R)	(R)	(R)	(R)	(R)	
Initial value →			(0)	(0)	(0)	(0)	(0)	(0)	(X)	(X)	
		bit	7	6	5	4	3	2	1	0	
A/D Data register (lower)											
Address: 00002E <sub>H</sub>			D7	D6	D5	D4	D3	D2	D1	D0	ADCR
Read/Write →			(R)	(R)	(R)	(R)	(R)	(R)	(R)	(R)	
Initial value →			(X)	(X)	(X)	(X)	(X)	(X)	(X)	(X)	

# MB90660A Series

## (2) Block Diagram



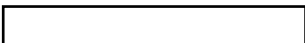
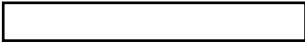

## 5. PWM Timer

This block, which is an 8-bit reload timer module, outputs the pulse width modulation (PWM) using pulse output control corresponding to the timer operation.

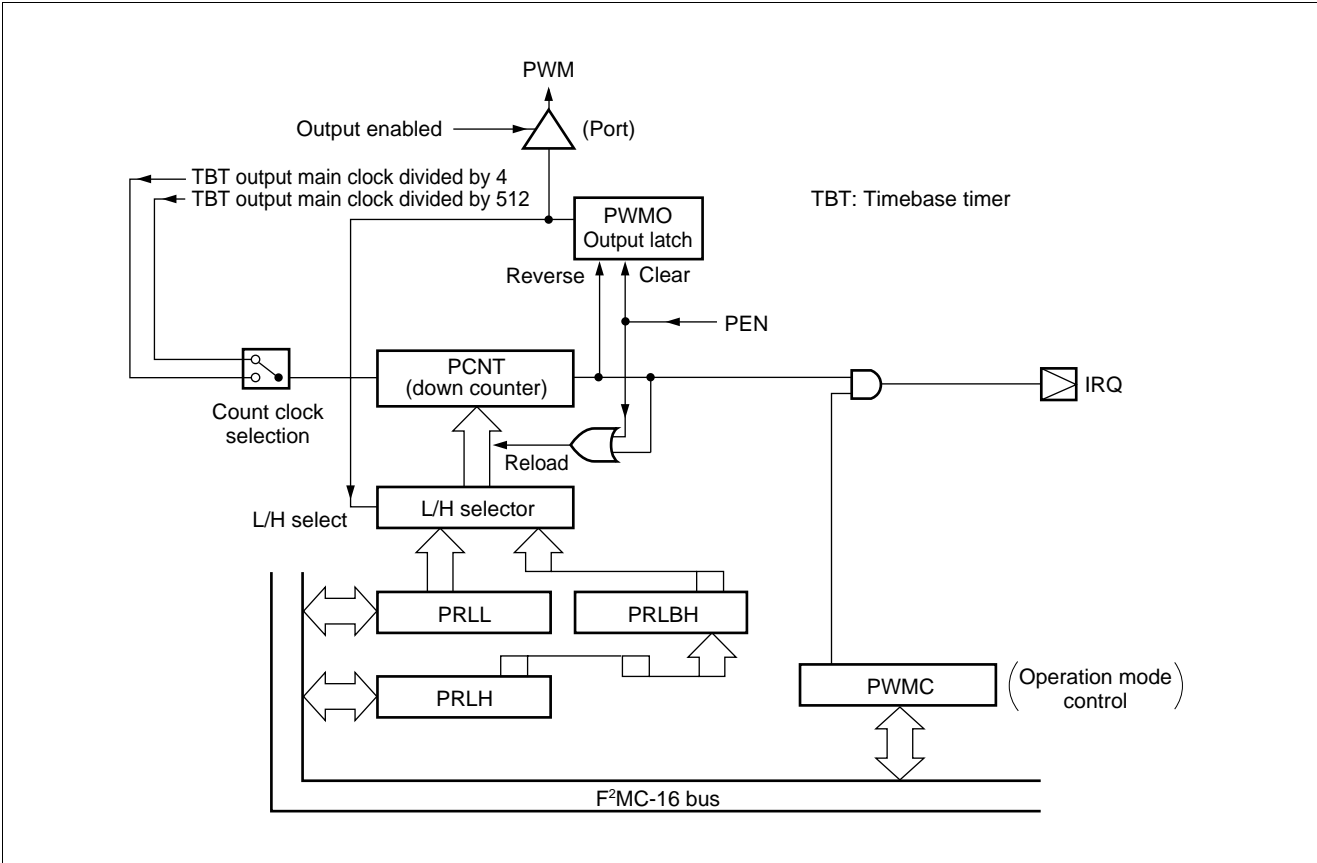
In terms of hardware, this block possesses an 8-bit down counter, two 8-bit reload registers for setting “L” width and “H” width, a control register, external pulse output pin, and interrupt output circuit to achieve the following functions.

- PWM output operation : Pulse waves of any period and duty factor are output.  
This block can also be used as a D/A converter with an external circuit.  
Interrupt requests can be output based on counter underflow.

### (1) Register Configuration

PWM operation mode control register	8 bits		(Functions)
Address: 000020 <sub>H</sub>		PWMC (R/W)	Operation mode control
PWM reload register 000022 <sub>H</sub>		PRLH (R/W)	Hold “L” pulse width reload value
000023 <sub>H</sub>		PRLH (R/W)	Hold “H” pulse width reload value

### (2) Block Diagram



# MB90660A Series

## 6. 16-bit Reload Timer (with Event Count Function)

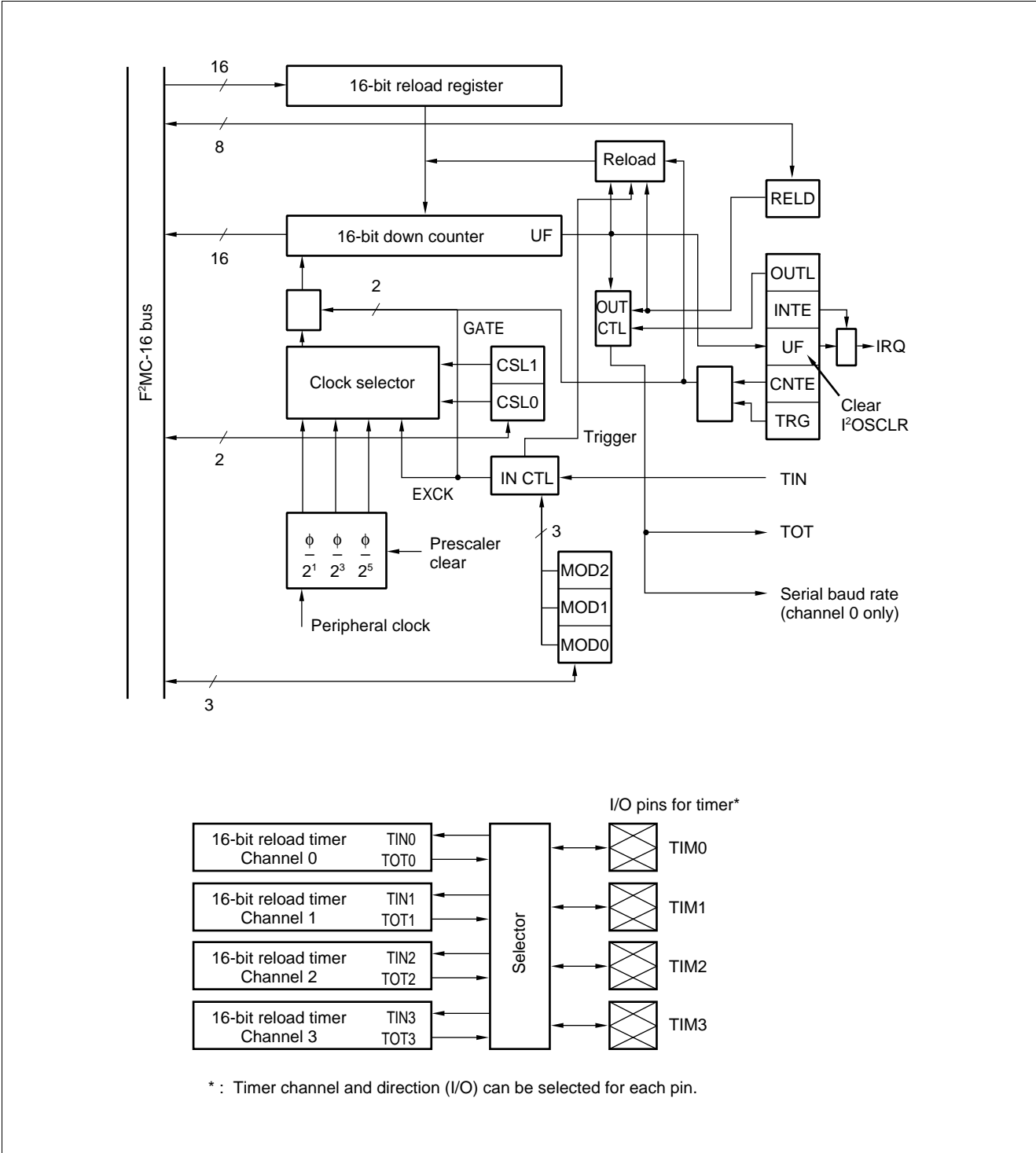
The 16-bit reload timer consists of a 16-bit down counter, a 16-bit reload register, control register, and 4 timer pins (I/O set by timer pin select register). Three internal clocks and an external clock can be selected as input clocks. A toggle output waveform is output at the output pin (TOT) in reload mode, while a square wave indicating that the timer is counting is output at the output pin in single-shot mode. The input pin (TIN) can be used for event input in even count mode, and for trigger input or gate input in internal clock mode.

This product has this timer built into four channels.

### (1) Register Configuration

Control status register (upper)	bit	15	14	13	12	11	10	9	8	
Address: channel 0 000031H : channel 1 000035H : channels 2 000039H : channels 3 00003DH						CSL1	CSL0	MOD2	MOD1	
Read/Write →		(-)	(-)	(-)	(-)	(R/W)	(R/W)	(R/W)	(R/W)	
Initial value →		(-)	(-)	(-)	(-)	(0)	(0)	(0)	(0)	
Control status register (lower)	bit	7	6	5	4	3	2	1	0	
Address: channel 0 000030H : channel 1 000034H : channels 2 000038H : channels 3 00003CH		MOD0	Reserved	OUTL	RELD	INTE	UF	CNTE	TRG	TMCSR 0 to 3
Read/Write →		(R/W)	(R/W)	(R/W)	(R/W)	(R/W)	(R/W)	(R/W)	(R/W)	
Initial value →		(0)	(0)	(0)	(0)	(0)	(0)	(0)	(0)	
16-bit timer register (upper)	bit	15	14	13	12	11	10	9	8	
16-bit reload register (upper)										
Address: channel 0 000033H : channel 1 000037H : channels 2 00003BH : channels 3 00003FH										
Read/Write →		(R/W)	(R/W)	(R/W)	(R/W)	(R/W)	(R/W)	(R/W)	(R/W)	
Initial value →		(X)	(X)	(X)	(X)	(X)	(X)	(X)	(X)	
16-bit timer register (lower)	bit	7	6	5	4	3	2	1	0	
16-bit reload register (lower)										
Address: channel 0 000032H : channel 1 000036H : channels 2 00003AH : channels 3 00003EH										TMR/ TMRLR 0 to 3
Read/Write →		(R/W)	(R/W)	(R/W)	(R/W)	(R/W)	(R/W)	(R/W)	(R/W)	
Initial value →		(X)	(X)	(X)	(X)	(X)	(X)	(X)	(X)	
Timer pin control register (upper)	bit	15	14	13	12	11	10	9	8	
Address: 000057H			OTE3	CSB3	CSA3		OTE2	CSB2	CSA2	
Read/Write →		(-)	(R/W)	(R/W)	(R/W)	(-)	(R/W)	(R/W)	(R/W)	
Initial value →		(-)	(0)	(1)	(1)	(-)	(0)	(1)	(0)	
Timer pin control register (lower)	bit	7	6	5	4	3	2	1	0	
Address: 000056H			OTE1	CSB1	CSA1		OTE0	CSB0	CSA0	TPCR
Read/Write →		(-)	(R/W)	(R/W)	(R/W)	(-)	(R/W)	(R/W)	(R/W)	
Initial value →		(-)	(0)	(0)	(1)	(-)	(0)	(0)	(0)	

## (2) Block Diagram



# MB90660A Series

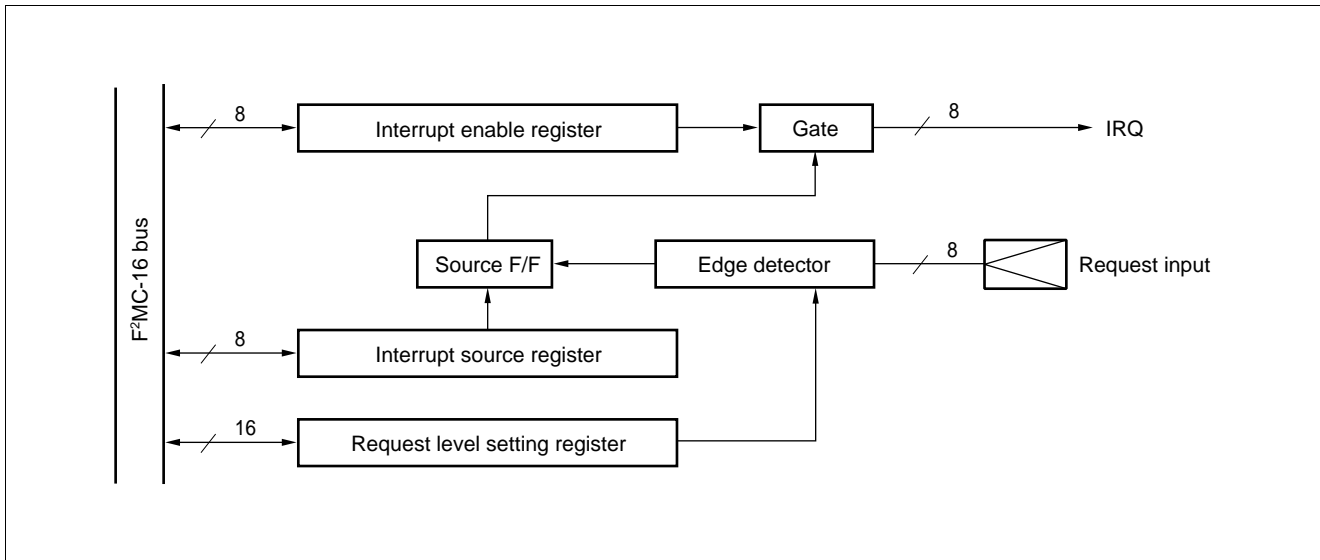
## 7. External Interrupts

In addition to "H" and "L", rising and falling edge can be selected as the external interrupt level for a total of four interrupt level types.

### (1) Register Configuration

Interrupt enable register Address: 000028 <sub>H</sub>	bit	7	6	5	4	3	2	1	0	
		EN7	EN6	EN5	EN4	EN3	EN2	EN1	EN0	ENIR
Read/Write →		(R/W)	(R/W)	(R/W)	(R/W)	(R/W)	(R/W)	(R/W)	(R/W)	
Initial value →		(0)	(0)	(0)	(0)	(0)	(0)	(0)	(0)	
Interrupt source register Address: 000029 <sub>H</sub>	bit	15	14	13	12	11	10	9	8	
		ER7	ER6	ER5	ER4	ER3	ER2	ER1	ER0	EIRR
Read/Write →		(R/W)	(R/W)	(R/W)	(R/W)	(R/W)	(R/W)	(R/W)	(R/W)	
Initial value →		(0)	(0)	(0)	(0)	(0)	(0)	(0)	(0)	
Request level setting register (upper) Address: 00002B <sub>H</sub>	bit	15	14	13	12	11	10	9	8	
		LB7	LA7	LB6	LA6	LB5	LA5	LB4	LA4	
Read/Write →		(R/W)	(R/W)	(R/W)	(R/W)	(R/W)	(R/W)	(R/W)	(R/W)	
Initial value →		(0)	(0)	(0)	(0)	(0)	(0)	(0)	(0)	
Request level setting register (lower) Address: 00002A <sub>H</sub>	bit	7	6	5	4	3	2	1	0	
		LB3	LA3	LB2	LA2	LB1	LA1	LB0	LA0	ELVR
Read/Write →		(R/W)	(R/W)	(R/W)	(R/W)	(R/W)	(R/W)	(R/W)	(R/W)	
Initial value →		(0)	(0)	(0)	(0)	(0)	(0)	(0)	(0)	

### (2) Block Diagram





## 8. Delayed Interrupt Generation Module

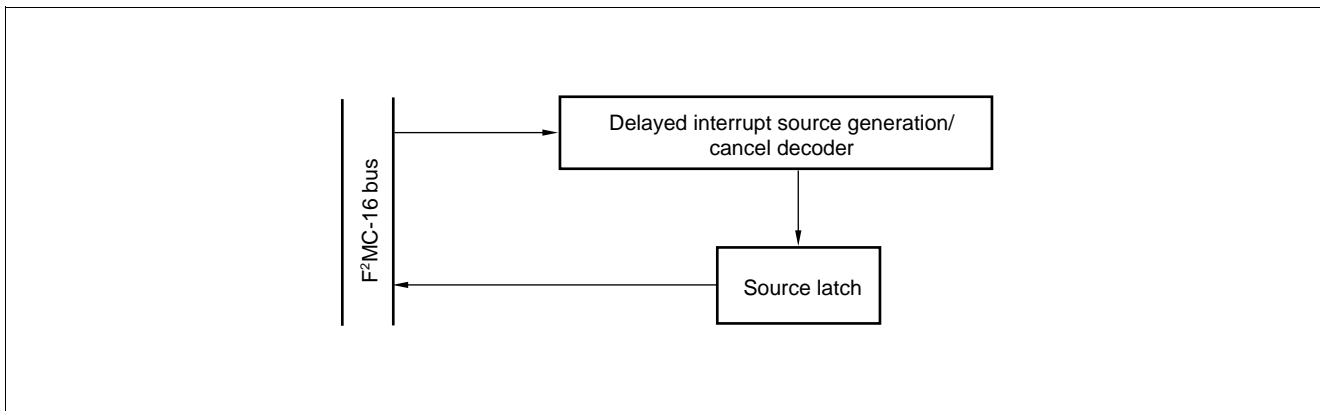
The delayed interrupt generation module is used to generate an interrupt for task switching. If this module is used, an interrupt request to the F<sup>2</sup>MC-16L CPU can be generated or cancelled by software.

### (1) Register Configuration

Delayed interrupt request generation/cancel register Address: 000009 <sub>H</sub>	bit	15	14	13	12	11	10	9	8	
		–	–	–	–	–	–	–	R0	DIRR
Read/Write →		(–)	(–)	(–)	(–)	(–)	(–)	(–)	(R/W)	
Initial value →		(–)	(–)	(–)	(–)	(–)	(–)	(–)	(0)	

The DIRR register controls the generation and cancellation of delayed interrupt requests. A delayed interrupt request is generated when “1” is written to this register, while a delayed interrupt request is cancelled when “0” is written here. Request cancel status results upon reset. Although either “0” or “1” may be written into reserved bits, we recommend using the set bit and clear bit instructions when accessing this register in consideration of possible future extensions.

### (2) Block Diagram



# MB90660A Series

## 9. Watchdog Timer and Timebase Timer Functions

The watchdog timer consists of a 2-bit watchdog counter using carry signals from the 18-bit timebase timer as the clock source, a control register, and a watchdog reset controller.

In addition to an 18-bit timer, the timebase timer consists of a circuit for controlling interval interrupts. Note that the timebase timer uses the main clock regardless of the status of the MCS bit within the CKSCR register.

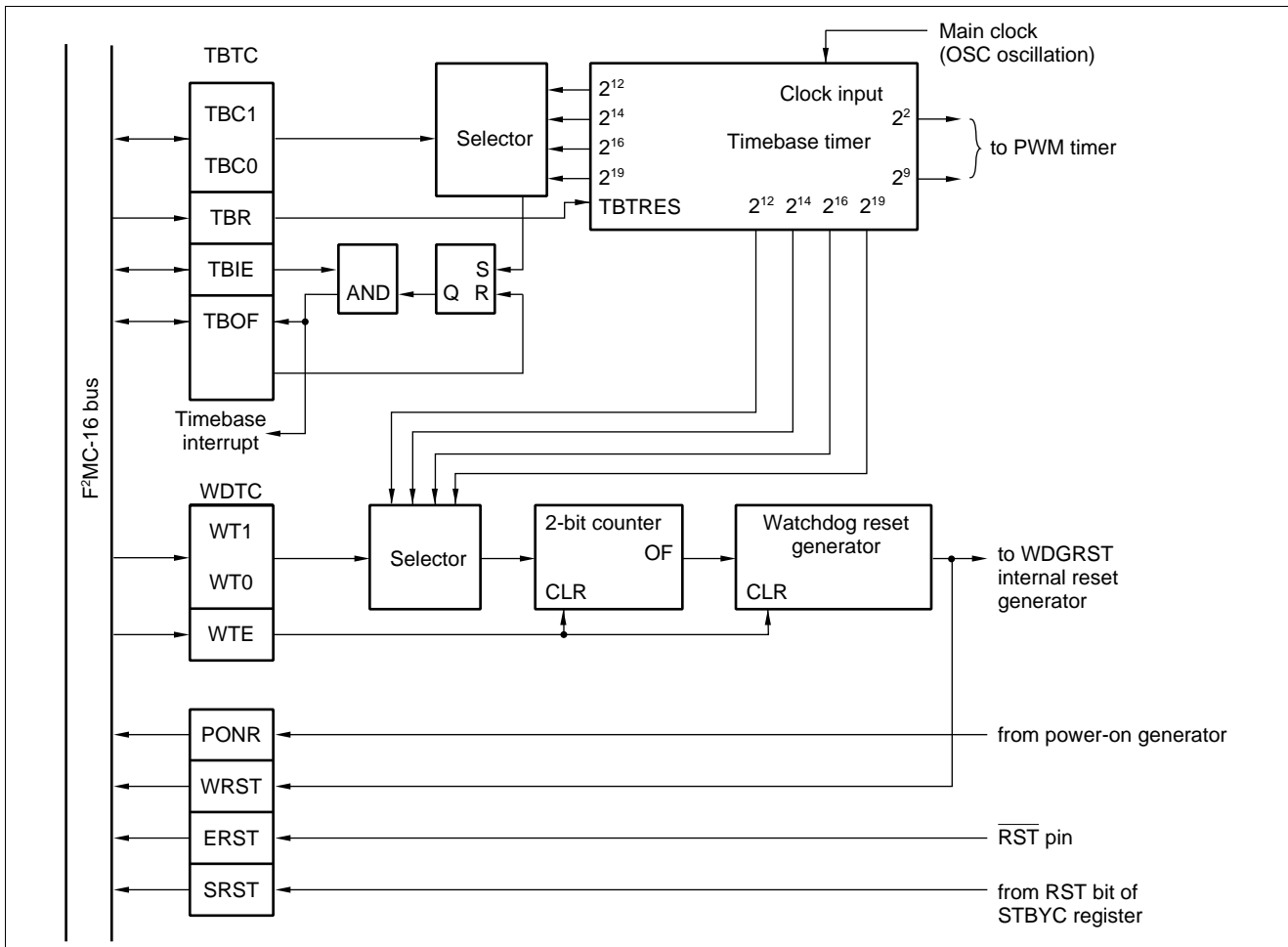
### (1) Register Configuration

Watchdog timer control register Address: 0000A8 <sub>H</sub>	bit	7	6	5	4	3	2	1	0	
		PONR	–	WRST	ERST	SRST	WTE	WT1	WT0	WDTC
Read/Write →		(R)	(–)	(R)	(R)	(R)	(W)	(W)	(W)	
Initial value →		(X)	(–)	(X)	(X)	(X)	(1)	(1)	(1)	

Timebase timer control register Address: 0000A9 <sub>H</sub>	bit	15	14	13	12	11	10	9	8	
		Reserved	–	–	TBIE	TBOF	TBR	TBC1	TBC0	TBTC
Read/Write →		(–)	(–)	(–)	(R/W)	(R/W)	(W)	(R/W)	(R/W)	
Initial value →		(1)	(–)	(–)	(0)	(0)	(1)	(0)	(0)	

### (2) Block Diagram



## 10. Low Power Consumption Controller (CPU intermittent operation function, stable oscillation wait time, and clock multiplier function)

The following operation modes are available: PLL clock mode, PLL sleep mode, clock mode, main clock mode, main sleep mode and stop mode. Operation modes other than PLL clock mode are classified as low power consumption modes.

Main clock mode and main sleep mode are modes where the microcontroller operates using the main clock (OSC oscillation clock) only. In these modes, the main clock divided by two is used as the operation clock and the PLL clock (VCO oscillation clock) is stopped.

In PLL sleep mode and main sleep mode, only the operation clock of the CPU is stopped, while operations besides the CPU clock continue.

In clock mode, only the timebase timer is allowed to operate.

In stop mode, oscillation is stopped, allowing data to be held at the lowest power consumption possible.

The CPU intermittent operation function causes the clock provided to the CPU to function intermittently when accessing registers, internal memory, internal resources and the external bus. This allows processing to be performed at lower power consumption by reducing the CPU execution speed while continuing to provide a high speed clock to internal resources.

The PLL clock multiplier can be selected as 1, 2, 3 or 4 using the CS1 and CS0 bits.

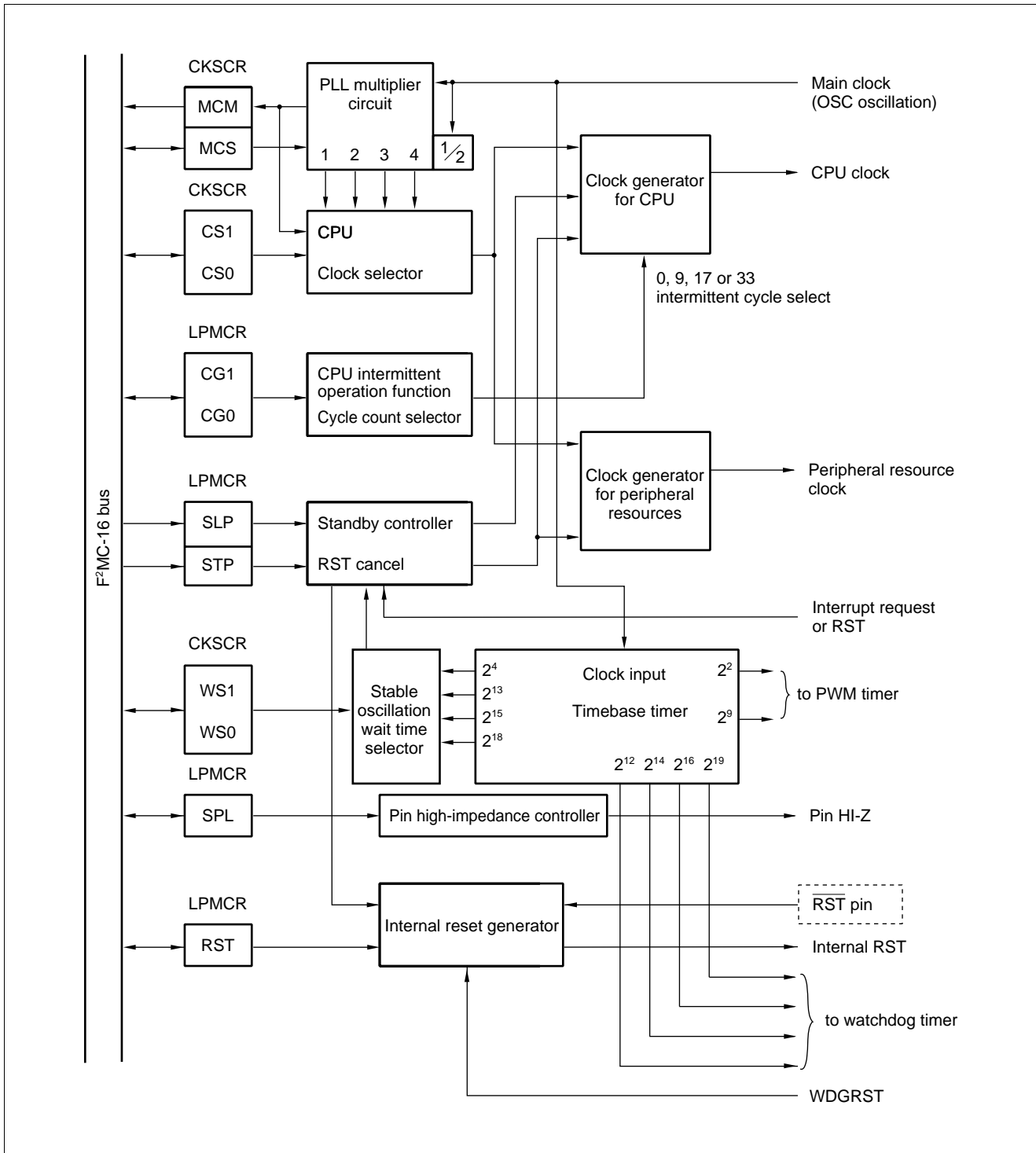
The stable oscillation wait time for the main clock when stop mode is cancelled can be set using the WS1 and WS0 bits.

### (1) Register Configuration

Low power consumption mode control register	bit	7	6	5	4	3	2	1	0	
Address: 0000A0H		STP	SLP	SPL	RST	Reserved	CG1	CG0	Reserved	LPMCR
Read/Write →		(W)	(W)	(R/W)	(W)	(–)	(R/W)	(R/W)	(–)	
Initial value →		(0)	(0)	(0)	(1)	(1)	(0)	(0)	(0)	
	bit	15	14	13	12	11	10	9	8	
Clock selection register		Reserved	MCM	WS1	WS0	Reserved	MCS	CS1	CS0	CKSCR
Address: 0000A1H										
Read/Write →		(–)	(R)	(R/W)	(R/W)	(–)	(R/W)	(R/W)	(R/W)	
Initial value →		(1)	(1)	(1)	(1)	(1)	(1)	(0)	(0)	

# MB90660A Series

## (2) Block Diagram

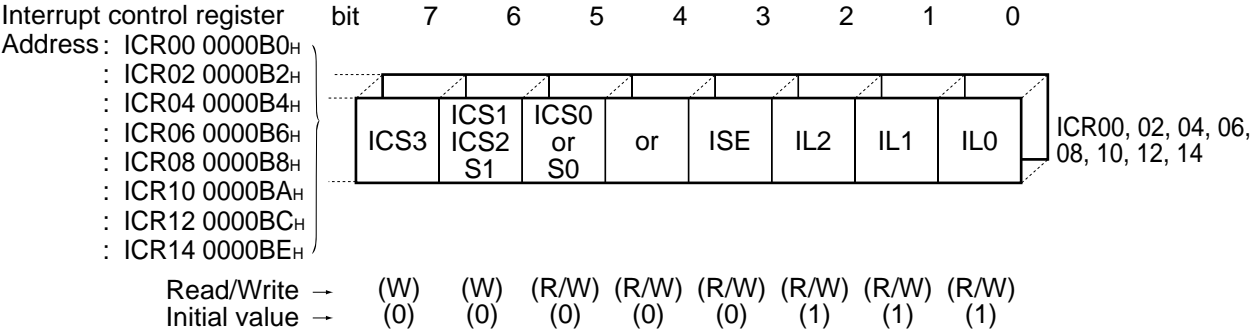
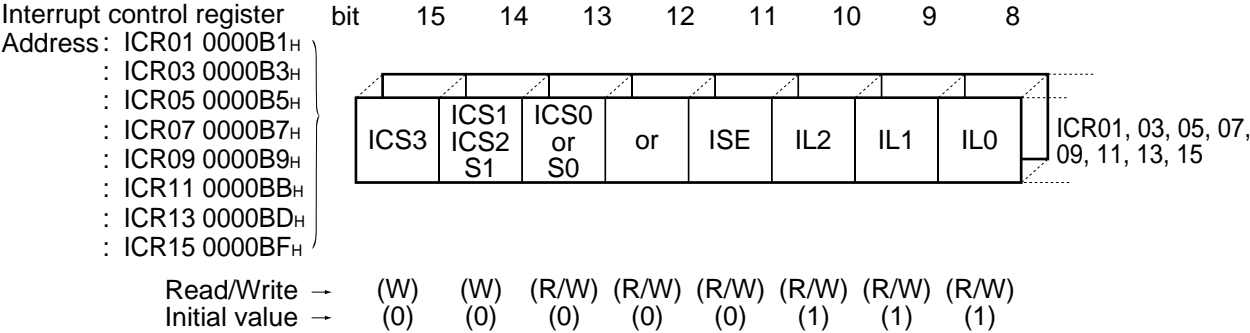


## 11. Interrupt Controller

The interrupt control register is located within the interrupt controller. Its status conforms to all I/O possessed by the interrupt function. This register includes the following three functions.

- Sets the interrupt level of the corresponding peripheral resource
- Selects whether to use conventional interrupts or extended intelligent I/O services for the interrupt of the corresponding peripheral resource
- Selects the channel for the extended intelligent I/O services

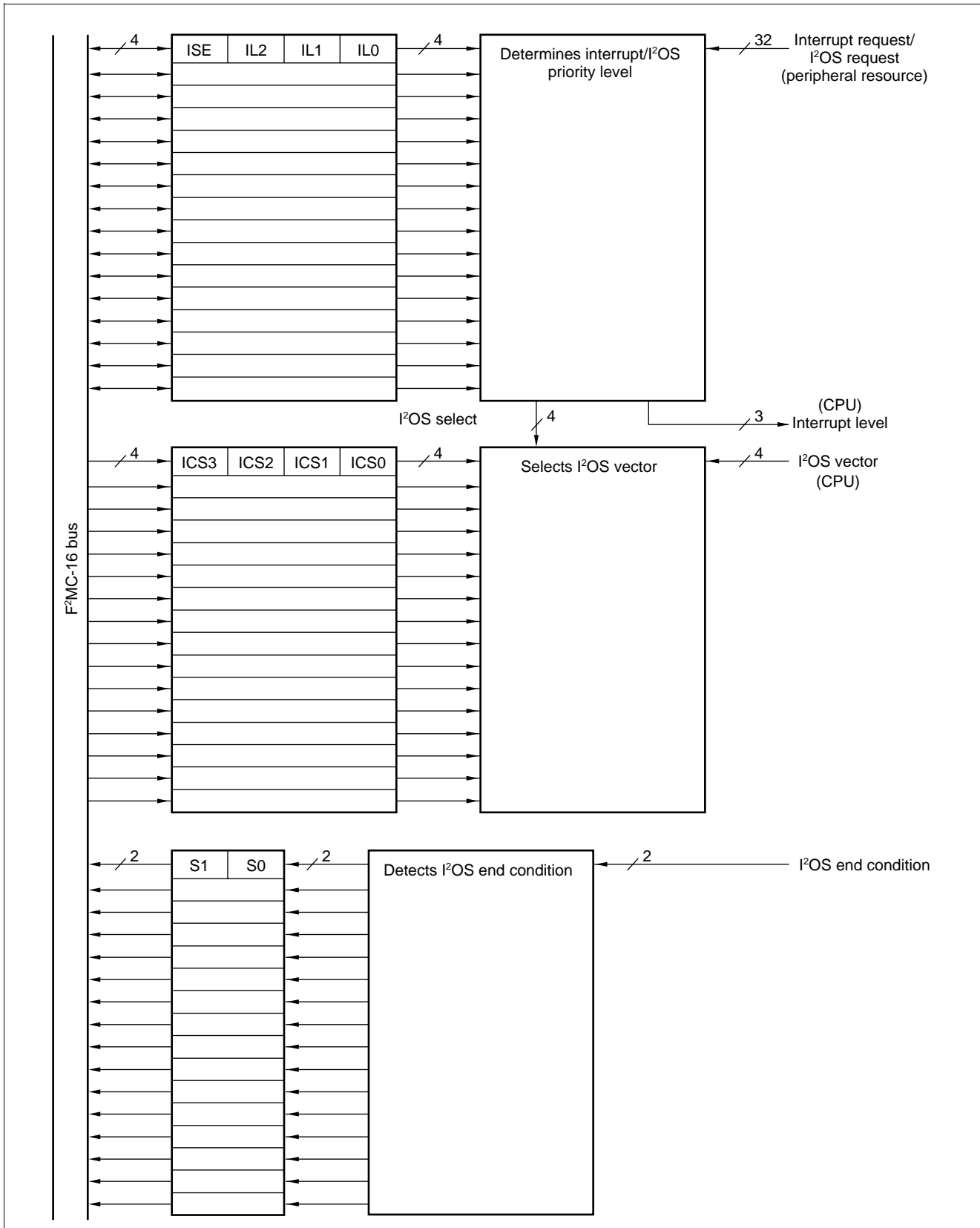
### (1) Register Configuration



Note: Since read-modify-write type instructions can cause a malfunction, do not access using these instructions.

# MB90660A Series

## (2) Block Diagram



## ■ ELECTRICAL CHARACTERISTICS

### 1. Absolute Maximum Rating

( $V_{SS} = AV_{SS} = 0.0\text{ V}$ )

Parameter	Symbol	Value		Unit	Remarks
		Min.	Max.		
Power supply voltage	$V_{CC}$	$V_{SS} - 0.3$	$V_{SS} + 7.0$	V	
	$AV_{CC}^{*1}$	$V_{SS} - 0.3$	$V_{SS} + 7.0$	V	
	$V_{AVR}^{*1}$	$V_{SS} - 0.3$	$V_{SS} + 7.0$	V	
Programming voltage	$V_{PP}$	$V_{SS} - 0.3$	13.0	V	*6
Input voltage*2	$V_I$	$V_{SS} - 0.3$	$V_{CC} + 0.3$	V	
Output voltage*2	$V_O$	$V_{SS} - 0.3$	$V_{CC} + 0.3$	V	
“L” level maximum current*3	$I_{OL1}$	—	10	mA	*7
	$I_{OL2}$	—	30	mA	*8
“L” level average output current*4	$I_{OLAV1}$	—	4	mA	*7
	$I_{OLAV2}$	—	20	mA	*8
“L” level total average output current*5	$2I_{OLAV1}$	—	30	mA	*7
	$2I_{OLAV2}$	—	60	mA	*8
“H” level maximum output current*3	$I_{OH}$	—	-10	mA	
“H” level average output current*4	$I_{OHAV}$	—	-4	mA	
“H” level total average output current*5	$2I_{OHAV}$	—	-40	mA	
Power consumption	$P_d$	—	400	mW	
Operating temperature	$T_A$	-40	+85	°C	
Storage temperature	$T_{stg}$	-55	+150	°C	

\*1:  $AV_{CC}$  and  $V_{AVR}$  must not exceed  $V_{CC}$ .

\*2:  $V_I$  and  $V_O$  must not exceed  $V_{CC} + 0.3\text{ V}$ .

\*3: Maximum output current specifies the peak value of one corresponding pin.

\*4: Average output current specifies the average current within a 100 ms interval flowing through one corresponding pin.

\*5: Average total output current specifies the average current within a 100 ms interval flowing through all corresponding pins.

\*6: MD2 pin of MB90P663A

\*7: Pins excluding P60/RT1/U, P61/RT2/V, P62/RT3/W, P63/X, P64/Y and P65/Z pins

\*8: P60/RT1/U, P61/RT2/V, P62/RT3/W, P63/X, P64/Y and P65/Z pins

**WARNING:** Semiconductor devices can be permanently damaged by application of stress (voltage, current, temperature, etc.) in excess of absolute maximum ratings. Do not exceed these ratings.

# MB90660A Series

## 2. Recommended Operating Conditions

(V<sub>SS</sub> = AV<sub>SS</sub> = 0.0 V)

Parameter	Symbol	Ratings		Unit	Remarks
		Min.	Max.		
Power supply voltage	V <sub>CC</sub>	2.7	5.5	V	During normal operation
	V <sub>CC</sub>	2.0	5.5		Stop operation status is held
Operating temperature	T <sub>A</sub>	-40	+85	°C	

**WARNING:** Recommended operating conditions are normal operating ranges for the semiconductor device. All the device's electrical characteristics are warranted when operated within these ranges.

Always use semiconductor devices within the recommended operating conditions. Operation outside these ranges may adversely affect reliability and could result in device failure.

No warranty is made with respect to uses, operating conditions, or combinations not represented on the data sheet. Users considering application outside the listed conditions are advised to contact their FUJITSU representative beforehand.



# MB90660A Series

## 3. DC Characteristics

( $V_{CC} = +2.7\text{ V to }+5.5\text{ V}$ ,  $V_{SS} = 0.0\text{ V}$ ,  $T_A = -40^\circ\text{C to }+85^\circ\text{C}$ )

Parameter	Symbol	Pin name	Conditions	Value			Unit	Remarks
				Min.	Typ.	Max.		
“H” level output voltage	$V_{OH}$	Except P50 to P57	$V_{CC} = 4.5\text{ V}$ $I_{OH} = -4.0\text{ mA}$	$V_{CC} - 0.5$	—	—	V	
			$V_{CC} = 2.7\text{ V}$ $I_{OH} = -1.6\text{ mA}$	$V_{CC} - 0.3$	—	—	V	
“L” level output voltage	$V_{OL1}$	Except P60 to P65	$V_{CC} = 4.5\text{ V}$ $I_{OL} = 4.0\text{ mA}$	—	—	0.4	V	
			$V_{CC} = 2.7\text{ V}$ $I_{OL} = 2.0\text{ mA}$	—	—	0.4	V	
	$V_{OL2}$	P60 to P65	$V_{CC} = 4.5\text{ V}$ $I_{OL} = 15.0\text{ mA}$	—	—	1.0	V	
			$V_{CC} = 2.7\text{ V}$ $I_{OL} = 2.0\text{ mA}$	—	—	0.4	V	
“H” level input voltage	$V_{IH}$	Pins except $V_{IHS}$ , $V_{IHM}$	—	$0.7 V_{CC}$	—	$V_{CC} + 0.3$	V	
	$V_{IHS}$	Hysteresis input pins	—	$0.8 V_{CC}$	—	$V_{CC} + 0.3$	V	*
	$V_{IHM}$	MD pin	—	$V_{CC} - 0.3$	—	$V_{CC} + 0.3$	V	
“L” level input voltage	$V_{IL}$	Pins except $V_{ILS}$ , $V_{ILM}$	—	$V_{SS} - 0.3$	—	$0.3 V_{CC}$	V	
	$V_{ILS}$	Hysteresis input pins	—	$V_{SS} - 0.3$	—	$0.2 V_{CC}$	V	*
	$V_{ILM}$	MD pin	—	$V_{SS} - 0.3$	—	$V_{SS} + 0.3$	V	
Input leakage current	$I_{IL}$	Except P50 to P57	$V_{CC} = 5.5\text{ V}$ $V_{SS} < V_I < V_{CC}$	-10	—	10	$\mu\text{A}$	
Pull-up resistor	$R_{PUP}$	Pins for which pull-up option is selected	When $V_{CC} = 5.0\text{ V}$	25	—	100	$\text{k}\Omega$	
			When $V_{CC} = 3.0\text{ V}$	40	—	200	$\text{k}\Omega$	
Pull-down resistor	$R_{PDN}$	Pins for which pull-down options selected	When $V_{CC} = 5.0\text{ V}$	25	80	200	$\text{k}\Omega$	
			When $V_{CC} = 3.0\text{ V}$	40	160	400	$\text{k}\Omega$	
Supply current	$I_{CC}$	When $V_{CC} = 5.0\text{ V}$	Internal 16 MHz operation	—	50	70	$\text{mA}$	During normal operation
	$I_{CCS}$		Internal 16 MHz operation	—	25	30	$\text{mA}$	During sleep
	$I_{CC}$	When $V_{CC} = 3.0\text{ V}$	Internal 8 MHz operation	—	10	20	$\text{mA}$	During normal operation
	$I_{CCS}$		Internal 8 MHz operation	—	5	10	$\text{mA}$	During sleep
	$I_{CCH}$	—	$T_A = 25^\circ\text{C}$	—	0.1	10	$\mu\text{A}$	During stop
Input capacitance	$C_{IN}$	Except $AV_{CC}$ , $AV_{SS}$ , $V_{CC}$ and $V_{SS}$	—	—	10	—	$\text{pF}$	
Open-drain output leakage current	$I_{leak}$	P50 to P57	—	—	0.1	10	$\mu\text{A}$	N channel $T_r$ off

\* : Applies to pins P40 to P47, P50 to P57, P60 to P66, DTTI and  $\overline{RST}$ .

# MB90660A Series

## 4. AC Characteristics

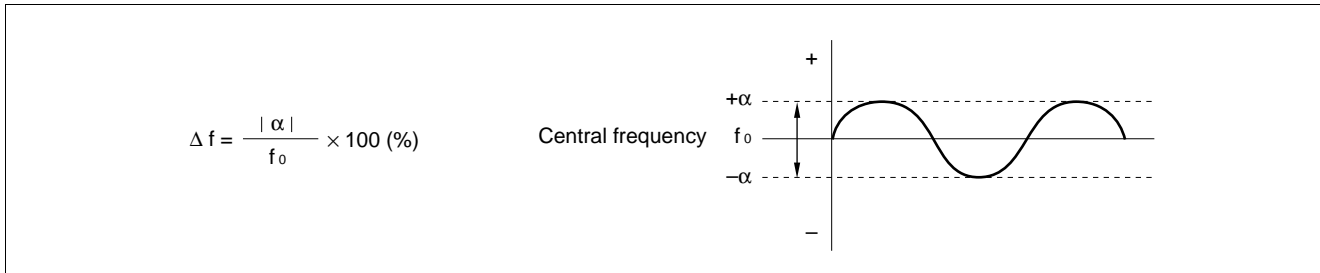
### (1) Clock Timing Values

- Used at  $V_{CC} = 5.0\text{ V} \pm 10\%$

( $V_{CC} = +4.5\text{ V to } +5.5\text{ V}$ ,  $V_{SS} = 0.0\text{ V}$ ,  $T_A = -40^\circ\text{C to } +85^\circ\text{C}$ )

Parameter	Symbol	Pin name	Conditions	Value		Unit	Remarks
				Min.	Max.		
Oscillation frequency	$F_C$	X0, X1	—	3	32	MHz	
Oscillation cycle time	$t_c$	X0, X1	—	31.25	333	ns	
Frequency fluctuation ratio* (when locked)	$\gamma_f$	—	—	—	3	%	
Input clock pulse width	$P_{WH}$ $P_{WL}$	X0	—	10	—	ns	Use duty ratio of 30% to 70% as guideline
Input clock rising and falling times	$t_{cr}$ $t_{cf}$	X0	—	—	5	ns	
Internal operating clock frequency	$f_{CP}$	—	—	1.5	16	MHz	
Internal operating clock cycle time	$t_{CP}$	—	—	62.5	666	ns	

\* : The frequency fluctuation ratio represents the maximum fluctuation from the central frequency as a percentage when a multiplier is locked.



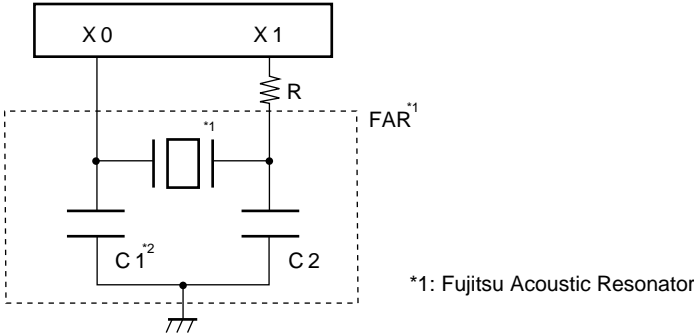
- Used at  $V_{CC} = 2.7\text{ V}$  (minimum)

( $V_{CC} = +2.7\text{ V to } +5.5\text{ V}$ ,  $V_{SS} = 0.0\text{ V}$ ,  $T_A = -40^\circ\text{C to } +85^\circ\text{C}$ )

Parameter	Symbol	Pin name	Conditions	Value		Unit	Remarks
				Min.	Max.		
Oscillation frequency	$F_C$	X0, X1	—	3	16	MHz	
Oscillation cycle time	$t_c$	X0, X1	—	62.5	333	ns	
Input clock pulse width	$P_{WH}$ $P_{WL}$	X0	—	20	—	ns	Use duty ratio of 30% to 70% as guideline
Input clock rising and falling times	$t_{cr}$ $t_{cf}$	X0	—	—	5	ns	
Internal operating clock frequency	$f_{CP}$	—	—	1.5	8	MHz	
Internal operating clock cycle time	$t_{CP}$	—	—	125	666	ns	

**(2) Recommended Resonator Manufacturers**

• **Sample Application of Piezoelectric Resonator (FAR Family)**

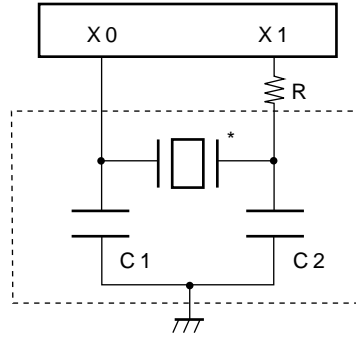


FAR part number (built-in capacitor type)	Fre- quency (MHz)	Damping resistor	Initial deviation of FAR frequency (T <sub>A</sub> = +25°C)	Temperature characteristics of FAR frequency (T <sub>A</sub> = -20°C to +60°C)	Loading* <sup>2</sup> capacitors
FAR-C4CC-02000-L20	2.00	510 Ω	±0.5%	±0.5%	Built-in
FAR-C4SA-04000-M01	4.00	—	±0.5%	±0.5%	
FAR-C4CB-04000-M00		—	±0.5%	±0.5%	
FAR-C4CB-08000-M02	8.00	—	±0.5%	±0.5%	
FAR-C4CB-12000-M02	12.00	—	±0.5%	±0.5%	
FAR-C4CB-16000-M02	16.00	—	±0.5%	±0.5%	
FAR-C4CB-20000-L14B	19.80	—	±0.5%	±0.5%	
FAR-C4CB-24000-L14A	23.76	—	±0.5%	±0.5%	

Inquiry: FUJITSU LIMITED

# MB90660A Series

- Sample Application of Ceramic Resonator



- Mask Products

Resonator manufacturer*	Resonator	Frequency (MHz)	C1 (pF)	C2 (pF)	R
Kyocera Corporation	KBR-2.0MS	2.00	150	150	—
	PBRC2.00A		150	150	—
	KBR-4.0MSA	4.00	33	33	680 Ω
	KBR-4.0MKS		Built-in	Built-in	680 Ω
	PBRC4.00A		33	33	680 Ω
	PBRC4.00B		Built-in	Built-in	680 Ω
	KBR-6.0MSA	6.00	33	33	—
	KBR-6.0MKS		Built-in	Built-in	—
	PBRC6.00A		33	33	—
	PBRC6.00B		Built-in	Built-in	—
	KBR-8.0M	8.00	33	33	560 Ω
	PBRC8.00A	8.00	33	33	—
	PBRC8.00B		Built-in	Built-in	—
	KBR-10.0M	10.00	33	33	330 Ω
	PBRC10.00B		Built-in	Built-in	680 Ω
	KBR-12.0M	12.00	33	33	330 Ω
PBRC12.00B	Built-in		Built-in	680 Ω	

(Continued)

# MB90660A Series

(Continued)

Resonator manufacturer*	Resonator	Frequency (MHz)	C1 (pF)	C2 (pF)	R
Murata Mfg. Co., Ltd.	CSA2.00MG040	2.00	100	100	—
	CST2.00MG040		Built-in	Built-in	—
	CSA4.00MG040	4.00	100	100	—
	CST4.00MGW040		Built-in	Built-in	—
	CSA6.00MG	6.00	30	30	—
	CST6.00MGW		Built-in	Built-in	—
	CSA8.00MTZ	8.00	30	30	—
	CST8.00MTW		Built-in	Built-in	—
	CSA10.00MTZ	10.00	30	30	—
	CST10.00MTW		Built-in	Built-in	—
	CSA12.00MTZ	12.00	30	30	—
	CST12.00MTW		Built-in	Built-in	—
	CSA16.00MXZ040	16.00	15	15	—
	CST16.00MXW0C3		Built-in	Built-in	—
	CSA20.00MXZ040	20.00	10	10	—
	CSA24.00MXZ040	24.00	5	5	—
CSA32.00MXZ040	32.00	5	5	—	

Inquiry: Kyocera Corporation

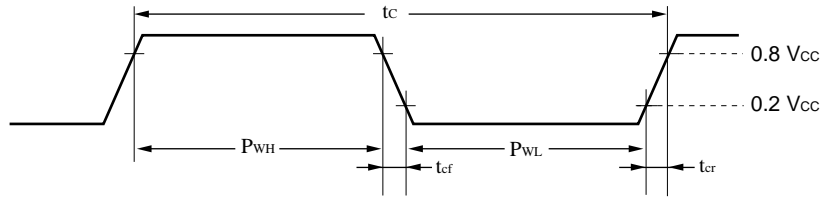
- AVX Corporation  
North American Sales Headquarters: TEL 1-803-448-9411
- AVX Limited  
European Sales Headquarters: TEL 44-1252-770000
- AVX/Kyocera H.K. Ltd.  
Asian Sales Headquarters: TEL 852-363-3303

Murata Mfg. Co., Ltd.

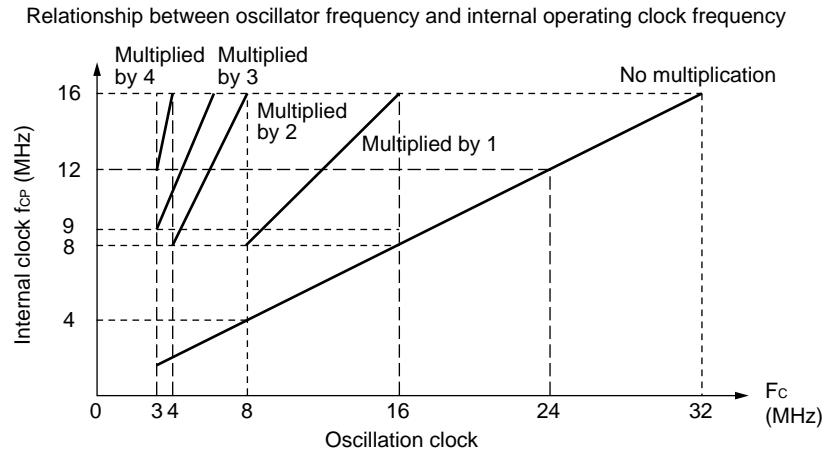
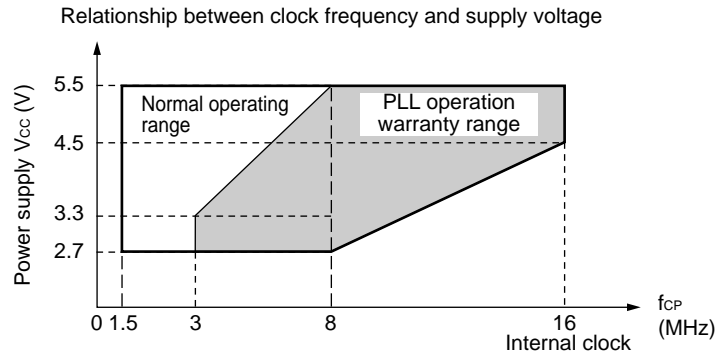
- Murata Electronics North America, Inc.: TEL 1-404-436-1300
- Murata Europe Management GmbH: TEL 49-911-66870
- Murata Electronics Singapore (Pte.) Ltd.: TEL 65-758-4233

# MB90660A Series

## • Clock Timing



## • PLL Operation Warranty Range



Note: Even in the case of evaluation tool, operation is assured down to 2.7 V.

AC specification values are specified for the measured reference voltages given below.

## • Input Signal Waveforms

Hysteresis input pin



Pins except hysteresis input and MD input



## • Output Signal Waveforms

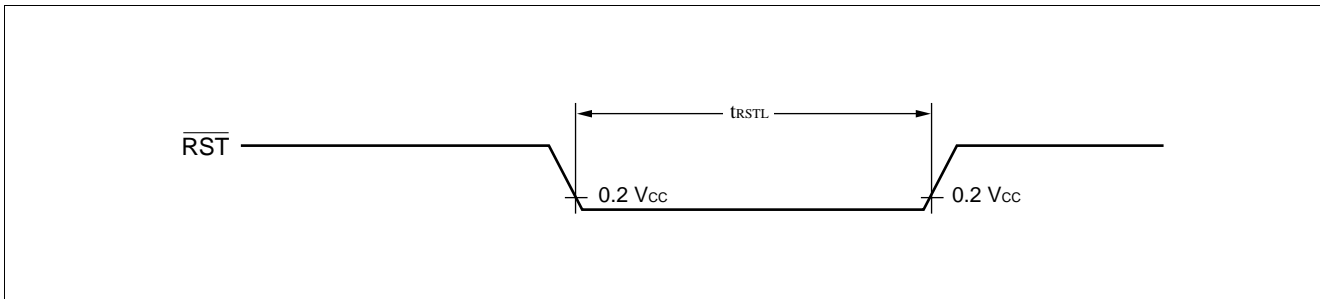
Output pin



### (3) Reset Input Specifications

( $V_{CC} = +2.7\text{ V to }+5.5\text{ V}$ ,  $V_{SS} = 0.0\text{ V}$ ,  $T_A = -40^\circ\text{C to }+85^\circ\text{C}$ )

Parameter	Symbol	Pin name	Conditions	Value		Unit	Remarks
				Min.	Max.		
Reset input time	$t_{RSTL}$	$\overline{RST}$	—	16	—	Machine cycle	



### (4) Power-On Reset

( $V_{SS} = 0.0\text{ V}$ ,  $T_A = -40^\circ\text{C to }+85^\circ\text{C}$ )

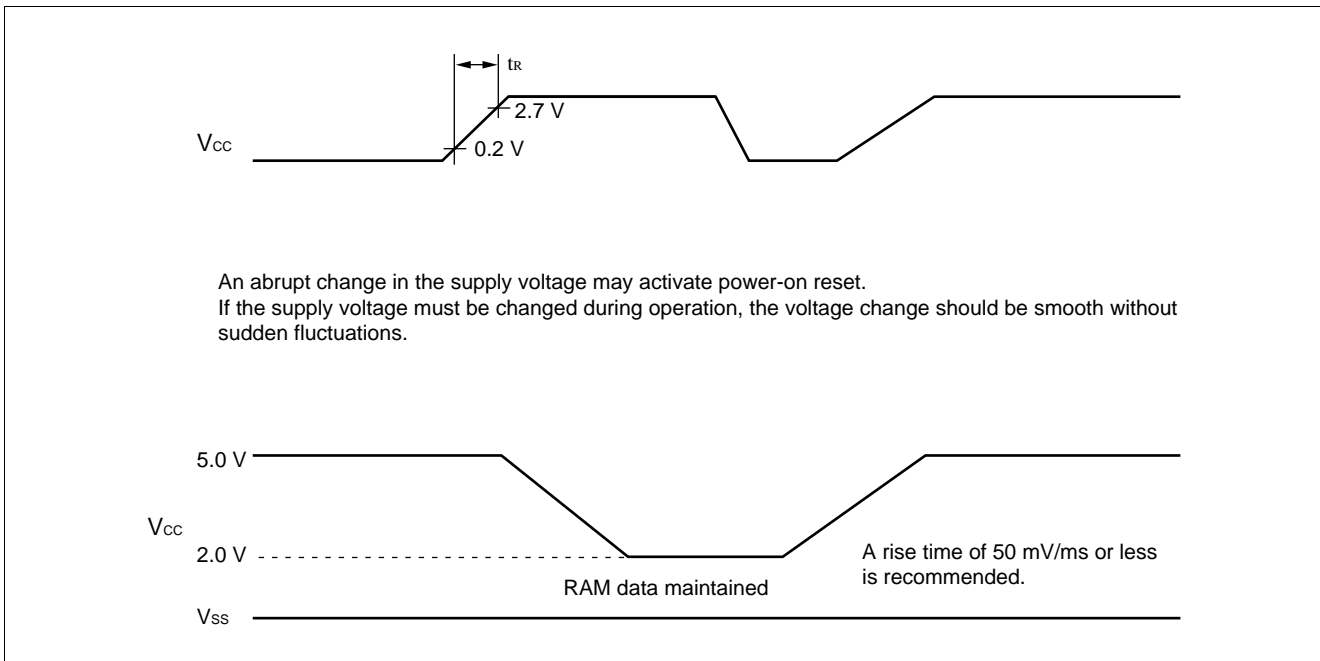
Parameter	Symbol	Pin name	Conditions	Value		Unit	Remarks
				Min.	Max.		
Power supply rise time	$t_R$	$V_{CC}$	—	—	30	ms	*
Power supply cutoff time	$t_{OFF}$	$V_{CC}$	—	1	—	ms	Due to repeated operations

\* :  $V_{CC}$  should be lower than  $0.2\text{ V}$  before power supply rise.

Notes: • The above specifications are the numeric values needed for causing a power-on reset.

- There are built in resistors initialized only by power on reset in the device.

Turn on power supply according to the specification at the point of this initialization.



# MB90660A Series

## (5) UART timing

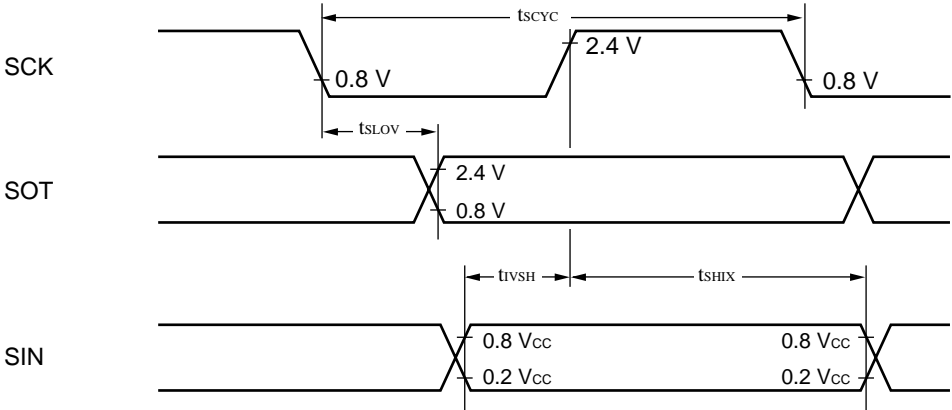
( $V_{CC} = +2.7\text{ V to }+5.5\text{ V}$ ,  $V_{SS} = 0.0\text{ V}$ ,  $T_A = -40^\circ\text{C to }+85^\circ\text{C}$ )

Parameter	Symbol	Pin name	Conditions	Value		Unit	Remarks
				Min.	Max.		
Serial clock cycle time	t <sub>SCYC</sub>	SCK	—	8 t <sub>CP</sub>	—	ns	C <sub>L</sub> = 80 pF + 1 TTL for internal clock operation output pin
SCK ↓ → SOT delay time	t <sub>SLOV</sub>	SCK SOT	V <sub>CC</sub> = 5.0 V ±10%	-80	80	ns	
			V <sub>CC</sub> = 3.0 V ±10%	-120	120	ns	
Valid SIN → SCK ↑	t <sub>IVSH</sub>	SCK SIN	V <sub>CC</sub> = 5.0 V ±10%	100	—	ns	
			V <sub>CC</sub> = 3.0 V ±10%	200	—	ns	
SCK ↑ → valid SIN hold time	t <sub>SHIX</sub>	SCK SIN	V <sub>CC</sub> = 5.0 V ±10%	60	—	ns	
			V <sub>CC</sub> = 3.0 V ±10%	120	—	ns	
Serial clock H pulse width	t <sub>SHSL</sub>	SCK	—	4 t <sub>CP</sub>	—	ns	C <sub>L</sub> = 80 pF + 1 TTL for external clock operation output pin
Serial clock L pulse width	t <sub>LSLH</sub>	SCK	—	4 t <sub>CP</sub>	—	ns	
SCK ↓ → SOT delay time	t <sub>SLOV</sub>	SCK SOT	V <sub>CC</sub> = 5.0 V ±10%	—	150	ns	
			V <sub>CC</sub> = 3.0 V ±10%	—	200	ns	
Valid SIN → SCK ↑	t <sub>IVSH</sub>	SCK SIN	V <sub>CC</sub> = 5.0 V ±10%	60	—	ns	
			V <sub>CC</sub> = 3.0 V ±10%	120	—	ns	
SCK ↑ → valid SIN hold time	t <sub>SHIX</sub>	SCK SIN	V <sub>CC</sub> = 5.0 V ±10%	60	—	ns	
			V <sub>CC</sub> = 3.0 V ±10%	120	—	ns	

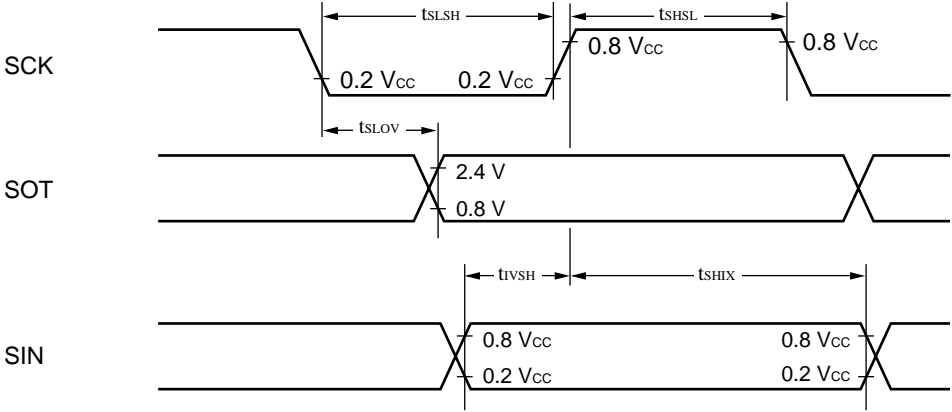
- Notes:
- These are AC specification during CLK synchronous mode.
  - C<sub>L</sub> is the load capacity value assigned to the pin during testing.
  - t<sub>CP</sub> is the machine cycle time (unit: ns).



• Internal Shift Clock Mode



• External Shift Clock Mode

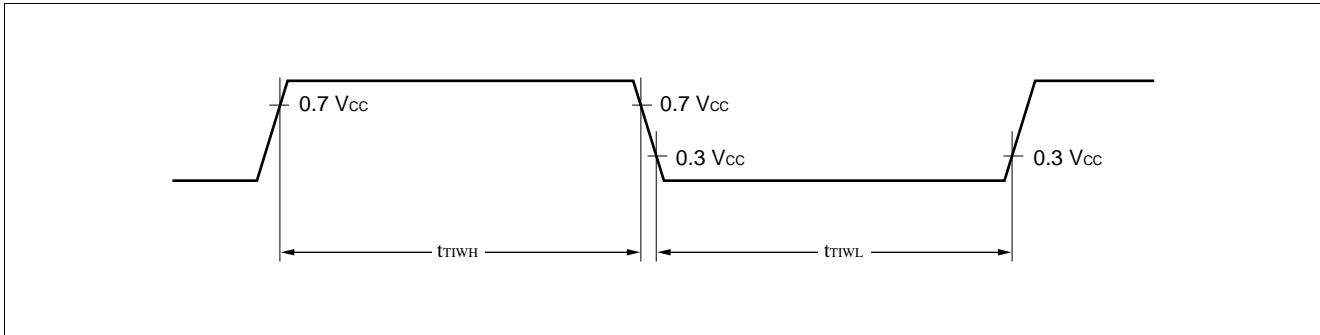


# MB90660A Series

## (6) Timer input timing

( $V_{CC} = +2.7\text{ V to }+5.5\text{ V}$ ,  $V_{SS} = 0.0\text{ V}$ ,  $T_A = -40^\circ\text{C to }+85^\circ\text{C}$ )

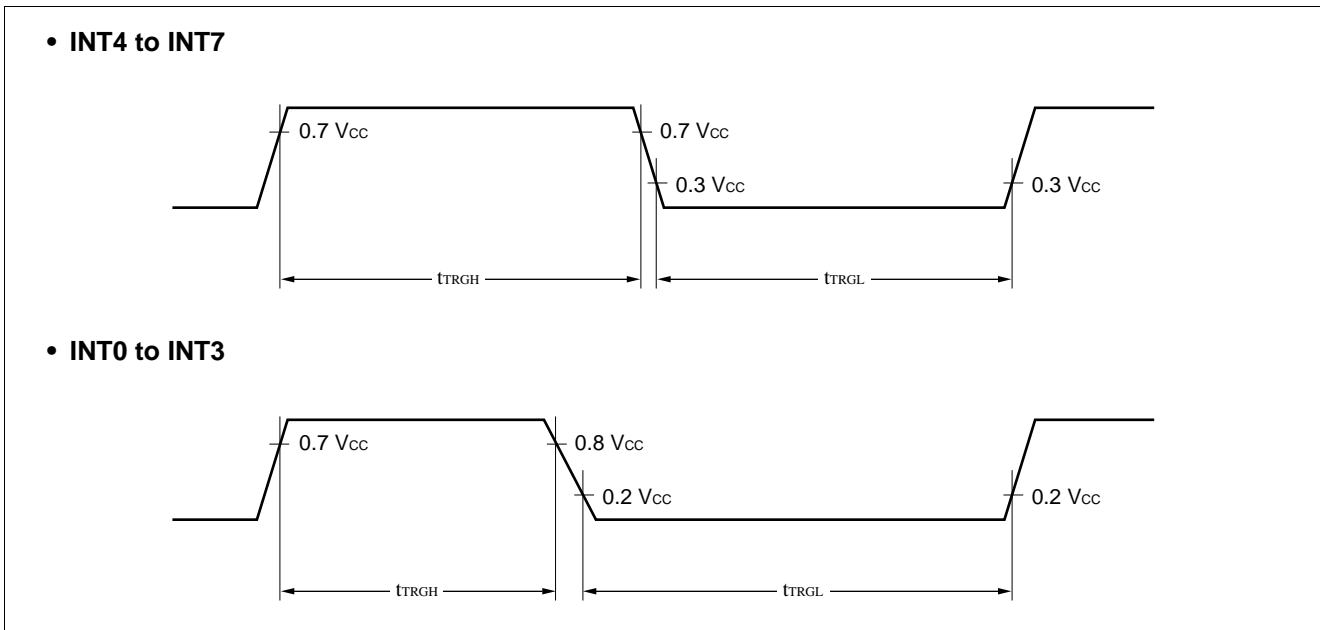
Parameter	Symbol	Pin name	Conditions	Value		Unit	Remarks
				Min.	Max.		
Input pulse width	$t_{TIWH}$ $t_{TIWL}$	TIM0 to TIM3	—	$4 t_{CP}$	—	ns	



## (7) Trigger input timing

( $V_{CC} = +2.7\text{ V to }+5.5\text{ V}$ ,  $V_{SS} = 0.0\text{ V}$ ,  $T_A = -40^\circ\text{C to }+85^\circ\text{C}$ )

Parameter	Symbol	Pin name	Conditions	Value		Unit	Remarks
				Min.	Max.		
Input pulse width	$t_{TRGH}$	$\overline{ATG}$ , DTTI, TRG, INT4 to INT7	—	$5 t_{CP}$	—	ns	
	$t_{TRGL}$	$\overline{ATG}$ , DTTI, TRG, INT0 to INT3		$5 t_{CP}$	—	ns	



## 5. Electrical Characteristics of A/D Converter

( $AV_{CC} = V_{CC} = +2.7\text{ V to }+5.5\text{ V}$ ,  $AV_{SS} = V_{SS} = 0.0\text{ V}$ ,  $2.7\text{ V} \leq AVR$ ,  $T_A = -40^\circ\text{C to }+85^\circ\text{C}$ )

Parameter	Symbol	Pin name	Value			Unit
			Min.	Typ.	Max.	
Resolution	—	—	—	10	10	bit
Total error	—	—	—	—	$\pm 3.0$	LSB
Linearity error	—	—	—	—	$\pm 2.0$	LSB
Differential linearity error	—	—	—	—	$\pm 1.5$	LSB
Zero transition voltage	$V_{OT}$	AN0 to AN7	-1.5	+0.5	+2.5	LSB
Full-scale transition voltage	$V_{FST}$	AN0 to AN7	$AVR - 4.5$	$AVR - 1.5$	$AVR + 0.5$	LSB
Conversion time	—	—	$6.125^{*1}$	—	—	$\mu\text{s}$
			$12.25^{*2}$	—	—	$\mu\text{s}$
Analog port input voltage	$I_{AIN}$	AN0 to AN7	—	0.1	10	$\mu\text{A}$
Analog input voltage	$V_{AIN}$	AN0 to AN7	0	—	AVR	V
Reference voltage	—	AVR	3.5	—	$AV_{CC}$	V
Supply current	$I_A$	$AV_{CC}$	—	3	—	mA
	$I_{AH}$	$AV_{CC}$	—	—	$5^{*3}$	$\mu\text{A}$
Reference voltage supply current	$I_R$	AVR	—	200	—	$\mu\text{A}$
	$I_{RH}$	AVR	—	—	$5^{*3}$	$\mu\text{A}$
Variation between channels	—	AN0 to AN7	—	—	4	LSB

\*1:  $V_{CC} = 5.0\text{ V} \pm 10\%$  at 16 MHz machine clock

\*2:  $V_{CC} = 3.0\text{ V} \pm 10\%$  at 8 MHz machine clock

\*3: Current when CPU is stopped and A/D converter is not operating (when  $V_{CC} = AV_{CC} = AVR = 5.0\text{ V}$ )

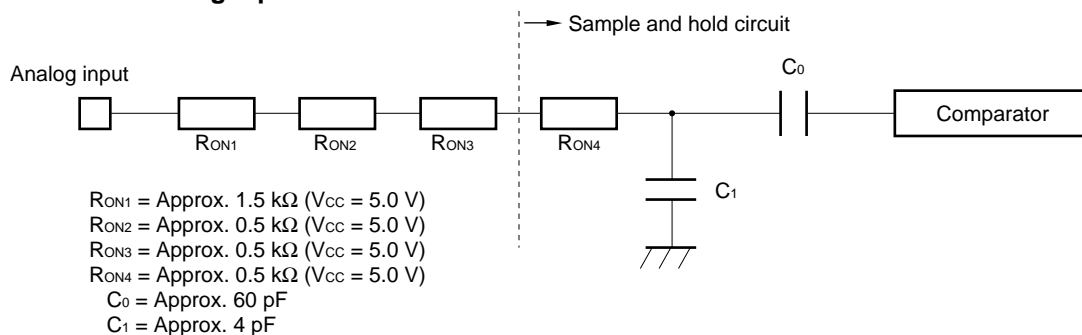
Notes: • The relative error becomes larger as the reference voltage (AVR) becomes smaller.

- Be sure to use the A/D converter only when output impedance of the external analog input circuit meets the following conditions.

External circuit output impedance < approx. 7 k $\Omega$

- If the output impedance of the external circuit is too high, there may not be enough time to sample the analog voltage. (Sampling time = 3.75  $\mu\text{s}$  @4 MHz (equivalent to internal 16 MHz when multiplying by 4))
- For an external capacitor to be provided outside the chip, its capacity should desirably be thousands times larger than of the capacity in the chip taking in consideration the influence of the capacity distribution of the external and internal capacitors.

### • Figure Model of Analog Input Circuit

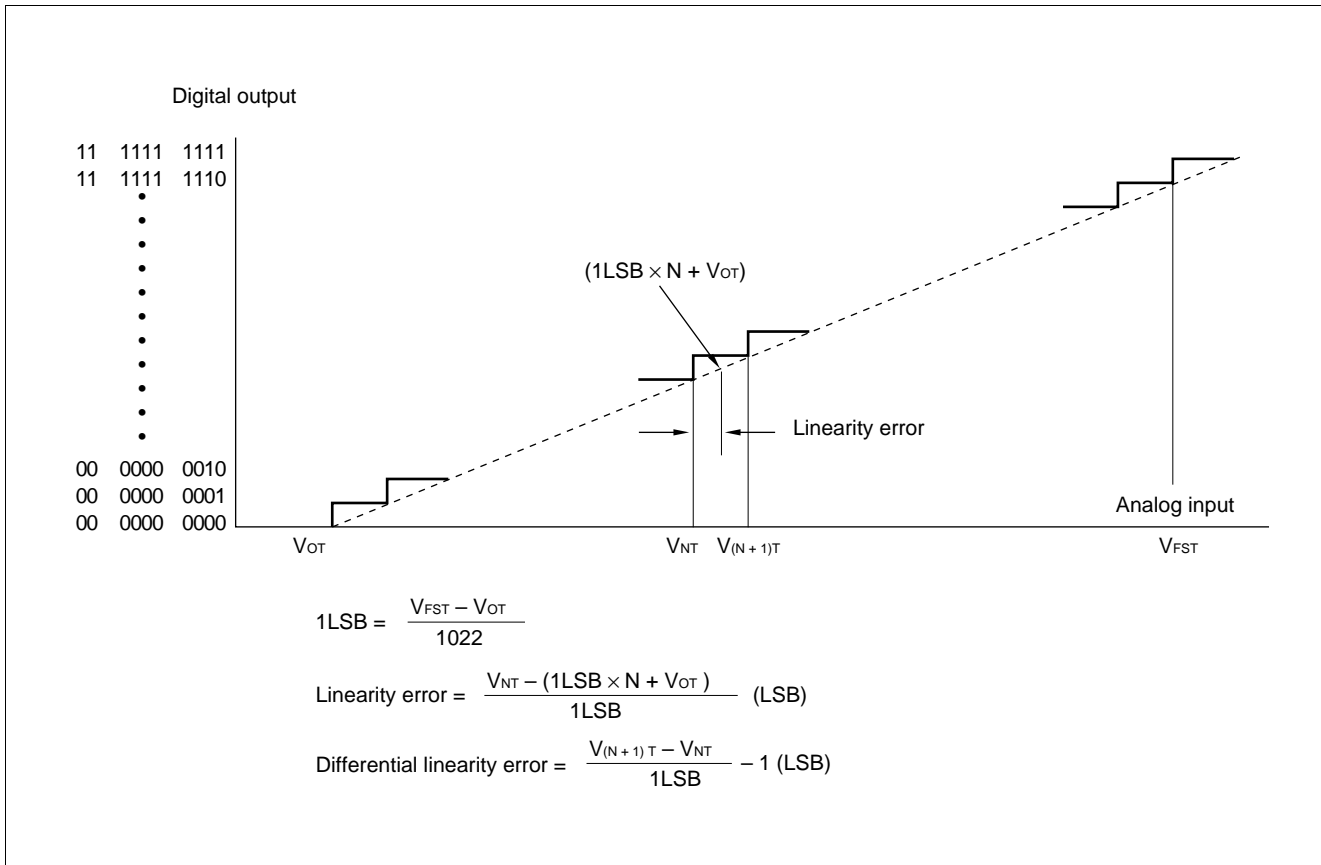


Note: Use the values shown here as guidelines.

# MB90660A Series

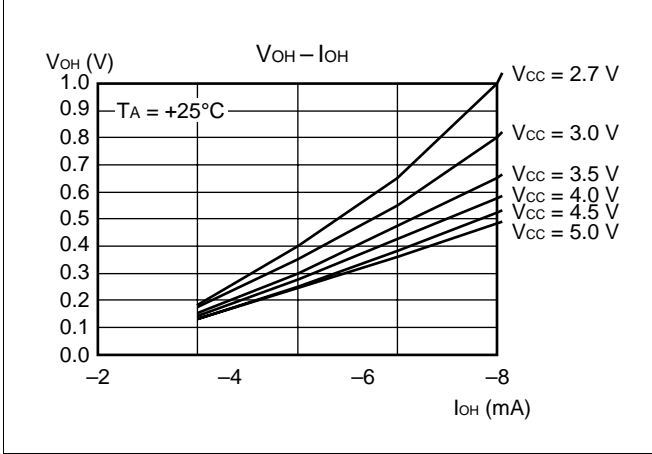
## 6. Definitions of A/D Converter Terms

- Resolution : Analog transition observed with an A/D converter.  
Analog voltage can be divided in  $1024 = 2^{10}$  parts at 10-bit resolution.
- Total error : This refers to the difference between actual and logical values. This error is caused by offset errors, gain errors, non-linearity errors and noise.
- Linearity error : Deviation of the line drawn between the zero transition point (00 0000 0000 ↔ 00 0000 0001) and the full-scale transition point (11 1111 1110 ↔ 11 1111 1111) for the device from actual conversion characteristics.
- Differential linearity error : Deviation from ideal input voltage required to shift output code by one LSB.

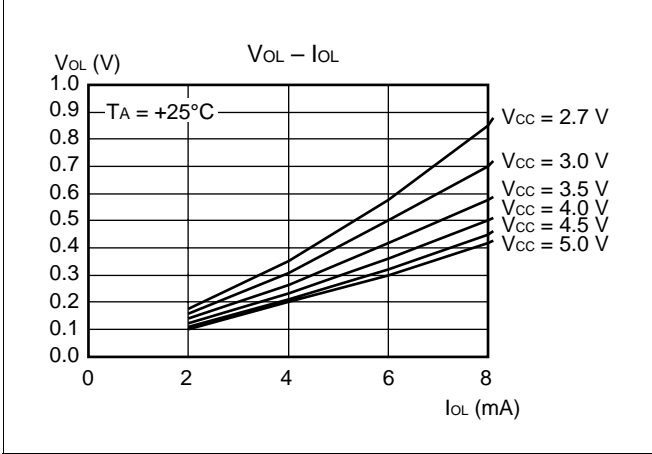


## EXAMPLES CHARACTERISTICS

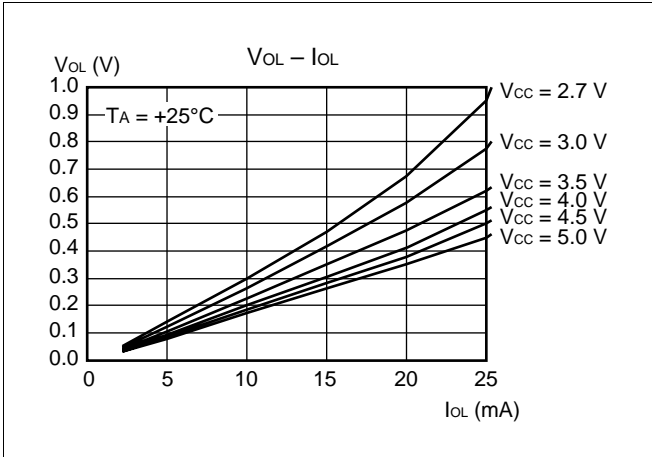
(1) "H" Level Output Voltage



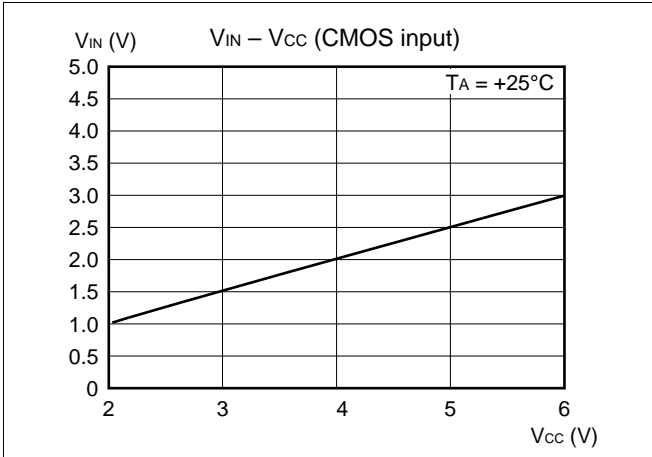
(2) "L" Level Output Voltage



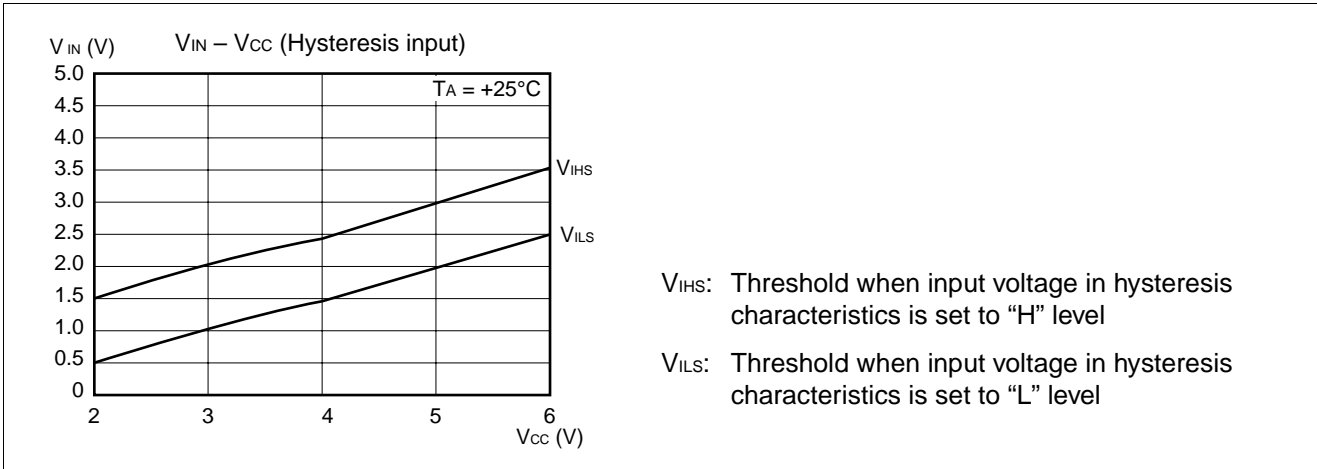
(3) "L" Level Output Voltage (P60 to P65)



(4) "H" Level Input Voltage/"L" Level Input Voltage



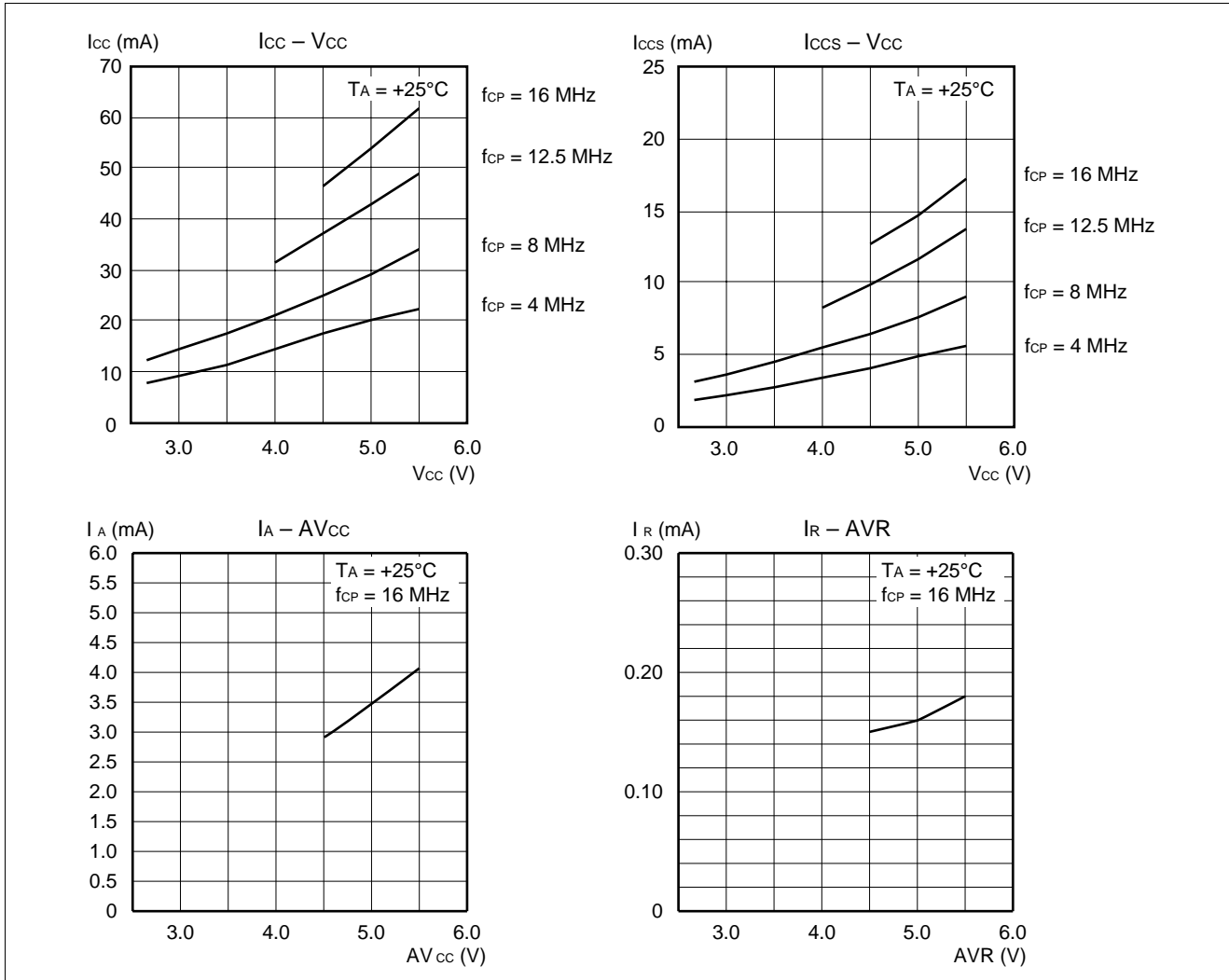
(5) "H" Level Input Voltage/"L" Level Input Voltage



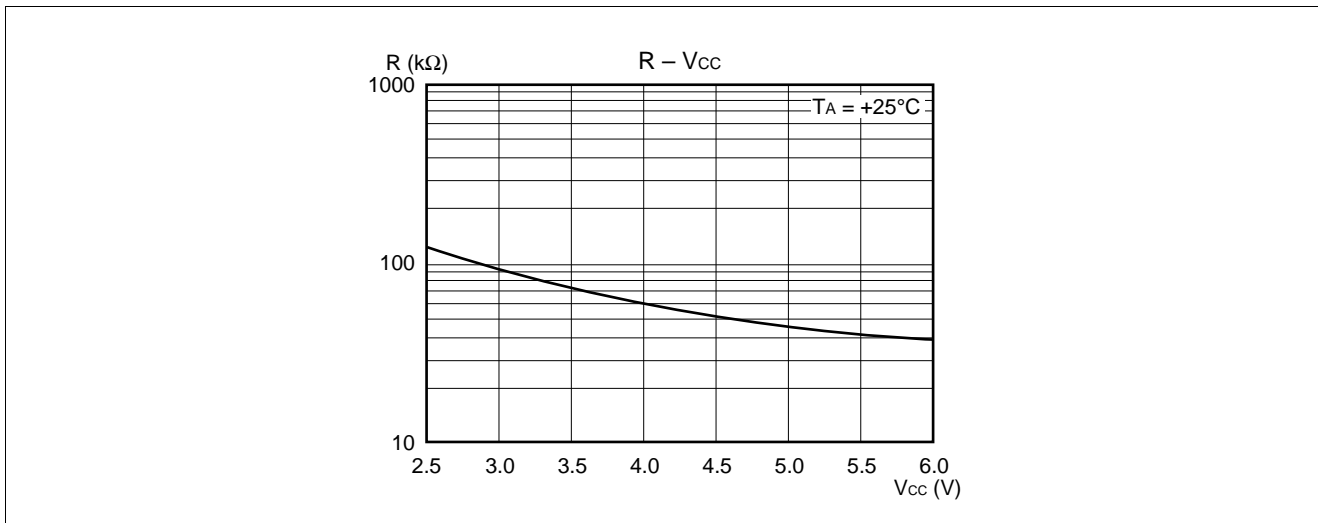
(Continued)

# MB90660A Series

## (6) Power Supply Current ( $f_{CP}$ = Internal frequency)



## (7) Pull-up Resistor



## ■ INSTRUCTIONS (340 INSTRUCTIONS)

Table 1 Explanation of Items in Tables of Instructions

Item	Meaning
Mnemonic	Upper-case letters and symbols: Represented as they appear in assembler. Lower-case letters: Replaced when described in assembler. Numbers after lower-case letters: Indicate the bit width within the instruction.
#	Indicates the number of bytes.
~	Indicates the number of cycles. m : When branching n : When not branching See Table 4 for details about meanings of other letters in items.
RG	Indicates the number of accesses to the register during execution of the instruction. It is used calculate a correction value for intermittent operation of CPU.
B	Indicates the correction value for calculating the number of actual cycles during execution of the instruction. (Table 5) The number of actual cycles during execution of the instruction is the correction value summed with the value in the “~” column.
Operation	Indicates the operation of instruction.
LH	Indicates special operations involving the upper 8 bits of the lower 16 bits of the accumulator. Z : Transfers “0”. X : Extends with a sign before transferring. – : Transfers nothing.
AH	Indicates special operations involving the upper 16 bits in the accumulator. * : Transfers from AL to AH. – : No transfer. Z : Transfers 00 <sub>H</sub> to AH. X : Transfers 00 <sub>H</sub> or FF <sub>H</sub> to AH by signing and extending AL.
I	Indicates the status of each of the following flags: I (interrupt enable), S (stack), T (sticky bit), N (negative), Z (zero), V (overflow), and C (carry). * : Changes due to execution of instruction. – : No change. S : Set by execution of instruction. R : Reset by execution of instruction.
S	
T	
N	
Z	
V	
C	
RMW	Indicates whether the instruction is a read-modify-write instruction. (a single instruction that reads data from memory, etc., processes the data, and then writes the result to memory.) * : Instruction is a read-modify-write instruction. – : Instruction is not a read-modify-write instruction. Note: A read-modify-write instruction cannot be used on addresses that have different meanings depending on whether they are read or written.

# MB90660A Series

**Table 2 Explanation of Symbols in Tables of Instructions**

Symbol	Meaning
A	32-bit accumulator The bit length varies according to the instruction. Byte : Lower 8 bits of AL Word : 16 bits of AL Long : 32 bits of AL:AH
AH AL	Upper 16 bits of A Lower 16 bits of A
SP	Stack pointer (USP or SSP)
PC	Program counter
PCB	Program bank register
DTB	Data bank register
ADB	Additional data bank register
SSB	System stack bank register
USB	User stack bank register
SPB	Current stack bank register (SSB or USB)
DPR	Direct page register
brg1	DTB, ADB, SSB, USB, DPR, PCB, SPB
brg2	DTB, ADB, SSB, USB, DPR, SPB
Ri	R0, R1, R2, R3, R4, R5, R6, R7
RWi	RW0, RW1, RW2, RW3, RW4, RW5, RW6, RW7
RWj	RW0, RW1, RW2, RW3
RLi	RL0, RL1, RL2, RL3
dir	Compact direct addressing
addr16 addr24 ad24 0 to 15 ad24 16 to 23	Direct addressing Physical direct addressing Bit 0 to bit 15 of addr24 Bit 16 to bit 23 of addr24
io	I/O area (000000H to 0000FFH)
imm4 imm8 imm16 imm32 ext (imm8)	4-bit immediate data 8-bit immediate data 16-bit immediate data 32-bit immediate data 16-bit data signed and extended from 8-bit immediate data
disp8 disp16	8-bit displacement 16-bit displacement
bp	Bit offset
vct4 vct8	Vector number (0 to 15) Vector number (0 to 255)
( )b	Bit address

(Continued)



(Continued)

Symbol	Meaning
rel	Branch specification relative to PC
ear eam	Effective addressing (codes 00 to 07) Effective addressing (codes 08 to 1F)
rlst	Register list

**Table 3 Effective Address Fields**

Code	Notation	Address format	Number of bytes in address extension *
00 01 02 03 04 05 06 07	R0 R1 R2 R3 R4 R5 R6 R7 RW0 RW1 RW2 RW3 RW4 RW5 RW6 RW7 RL0 (RL0) RL1 (RL1) RL2 (RL2) RL3 (RL3)	Register direct  “ea” corresponds to byte, word, and long-word types, starting from the left	—
08 09 0A 0B	@RW0 @RW1 @RW2 @RW3	Register indirect	0
0C 0D 0E 0F	@RW0 + @RW1 + @RW2 + @RW3 +	Register indirect with post-increment	0
10 11 12 13 14 15 16 17	@RW0 + disp8 @RW1 + disp8 @RW2 + disp8 @RW3 + disp8 @RW4 + disp8 @RW5 + disp8 @RW6 + disp8 @RW7 + disp8	Register indirect with 8-bit displacement	1
18 19 1A 1B	@RW0 + disp16 @RW1 + disp16 @RW2 + disp16 @RW3 + disp16	Register indirect with 16-bit displacement	2
1C 1D 1E 1F	@RW0 + RW7 @RW1 + RW7 @PC + disp16 addr16	Register indirect with index Register indirect with index PC indirect with 16-bit displacement Direct address	0 0 2 2

Note: The number of bytes in the address extension is indicated by the “+” symbol in the “#” (number of bytes) column in the tables of instructions.

# MB90660A Series

**Table 4 Number of Execution Cycles for Each Type of Addressing**

Code	Operand	(a)	Number of register accesses for each type of addressing
		Number of execution cycles for each type of addressing	
00 to 07	Ri RWi RLi	Listed in tables of instructions	Listed in tables of instructions
08 to 0B	@RWj	2	1
0C to 0F	@RWj +	4	2
10 to 17	@RWi + disp8	2	1
18 to 1B	@RWj + disp16	2	1
1C	@RW0 + RW7	4	2
1D	@RW1 + RW7	4	2
1E	@PC + disp16	2	0
1F	addr16	1	0

Note: “(a)” is used in the “~” (number of states) column and column B (correction value) in the tables of instructions.

**Table 5 Correction Values for Number of Cycles Used to Calculate Number of Actual Cycles**

Operand	(b) byte		(c) word		(d) long	
	Number of cycles	Number of access	Number of cycles	Number of access	Number of cycles	Number of access
Internal register	+0	1	+0	1	+0	2
Internal memory even address	+0	1	+0	1	+0	2
Internal memory odd address	+0	1	+2	2	+4	4
Even address on external data bus (16 bits)	+1	1	+1	1	+2	2
Odd address on external data bus (16 bits)	+1	1	+4	2	+8	4
External data bus (8 bits)	+1	1	+4	2	+8	4

Notes: • “(b)”, “(c)”, and “(d)” are used in the “~” (number of states) column and column B (correction value) in the tables of instructions.

- When the external data bus is used, it is necessary to add in the number of wait cycles used for ready input and automatic ready.

**Table 6 Correction Values for Number of Cycles Used to Calculate Number of Program Fetch Cycles**

Instruction	Byte boundary	Word boundary
Internal memory	—	+2
External data bus (16 bits)	—	+3
External data bus (8 bits)	+3	—

Notes: • When the external data bus is used, it is necessary to add in the number of wait cycles used for ready input and automatic ready.

- Because instruction execution is not slowed down by all program fetches in actuality, these correction values should be used for “worst case” calculations.

**Table 7 Transfer Instructions (Byte) [41 Instructions]**

Mnemonic	#	~	RG	B	Operation	LH	AH	I	S	T	N	Z	V	C	RMW	
MOV	A, dir	2	3	0	(b)	byte (A) ← (dir)	Z	*	-	-	-	*	*	-	-	-
MOV	A, addr16	3	4	0	(b)	byte (A) ← (addr16)	Z	*	-	-	-	*	*	-	-	-
MOV	A, Ri	1	2	1	0	byte (A) ← (Ri)	Z	*	-	-	-	*	*	-	-	-
MOV	A, ear	2	2	1	0	byte (A) ← (ear)	Z	*	-	-	-	*	*	-	-	-
MOV	A, eam	2+	3+ (a)	0	(b)	byte (A) ← (eam)	Z	*	-	-	-	*	*	-	-	-
MOV	A, io	2	3	0	(b)	byte (A) ← (io)	Z	*	-	-	-	*	*	-	-	-
MOV	A, #imm8	2	2	0	0	byte (A) ← imm8	Z	*	-	-	-	*	*	-	-	-
MOV	A, @A	2	3	0	(b)	byte (A) ← ((A))	Z	-	-	-	-	*	*	-	-	-
MOV	A, @RLi+disp8	3	10	2	(b)	byte (A) ← ((RLi)+disp8)	Z	*	-	-	-	*	*	-	-	-
MOVN	A, #imm4	1	1	0	0	byte (A) ← imm4	Z	*	-	-	-	R	*	-	-	-
MOVX	A, dir	2	3	0	(b)	byte (A) ← (dir)	X	*	-	-	-	*	*	-	-	-
MOVX	A, addr16	3	4	0	(b)	byte (A) ← (addr16)	X	*	-	-	-	*	*	-	-	-
MOVX	A, Ri	2	2	1	0	byte (A) ← (Ri)	X	*	-	-	-	*	*	-	-	-
MOVX	A, ear	2	2	1	0	byte (A) ← (ear)	X	*	-	-	-	*	*	-	-	-
MOVX	A, eam	2+	3+ (a)	0	(b)	byte (A) ← (eam)	X	*	-	-	-	*	*	-	-	-
MOVX	A, io	2	3	0	(b)	byte (A) ← (io)	X	*	-	-	-	*	*	-	-	-
MOVX	A, #imm8	2	2	0	0	byte (A) ← imm8	X	*	-	-	-	*	*	-	-	-
MOVX	A, @A	2	3	0	(b)	byte (A) ← ((A))	X	-	-	-	-	*	*	-	-	-
MOVX	A, @RWi+disp8	2	5	1	(b)	byte (A) ← ((RWi)+disp8)	X	*	-	-	-	*	*	-	-	-
MOVX	A, @RLi+disp8	3	10	2	(b)	byte (A) ← ((RLi)+disp8)	X	*	-	-	-	*	*	-	-	-
MOV	dir, A	2	3	0	(b)	byte (dir) ← (A)	-	-	-	-	-	*	*	-	-	-
MOV	addr16, A	3	4	0	(b)	byte (addr16) ← (A)	-	-	-	-	-	*	*	-	-	-
MOV	Ri, A	1	2	1	0	byte (Ri) ← (A)	-	-	-	-	-	*	*	-	-	-
MOV	ear, A	2	2	1	0	byte (ear) ← (A)	-	-	-	-	-	*	*	-	-	-
MOV	eam, A	2+	3+ (a)	0	(b)	byte (eam) ← (A)	-	-	-	-	-	*	*	-	-	-
MOV	io, A	2	3	0	(b)	byte (io) ← (A)	-	-	-	-	-	*	*	-	-	-
MOV	@RLi+disp8, A	3	10	2	(b)	byte ((RLi) +disp8) ← (A)	-	-	-	-	-	*	*	-	-	-
MOV	Ri, ear	2	3	2	0	byte (Ri) ← (ear)	-	-	-	-	-	*	*	-	-	-
MOV	Ri, eam	2+	4+ (a)	1	(b)	byte (Ri) ← (eam)	-	-	-	-	-	*	*	-	-	-
MOV	ear, Ri	2	4	2	0	byte (ear) ← (Ri)	-	-	-	-	-	*	*	-	-	-
MOV	eam, Ri	2+	5+ (a)	1	(b)	byte (eam) ← (Ri)	-	-	-	-	-	*	*	-	-	-
MOV	Ri, #imm8	2	2	1	0	byte (Ri) ← imm8	-	-	-	-	-	*	*	-	-	-
MOV	io, #imm8	3	5	0	(b)	byte (io) ← imm8	-	-	-	-	-	-	-	-	-	-
MOV	dir, #imm8	3	5	0	(b)	byte (dir) ← imm8	-	-	-	-	-	-	-	-	-	-
MOV	ear, #imm8	3	2	1	0	byte (ear) ← imm8	-	-	-	-	-	*	*	-	-	-
MOV	eam, #imm8	3+	4+ (a)	0	(b)	byte (eam) ← imm8	-	-	-	-	-	*	*	-	-	-
MOV	@AL, AH	2	3	0	(b)	byte ((A)) ← (AH)	-	-	-	-	-	*	*	-	-	-
/MOV	@A, T															
XCH	A, ear	2	4	2	0	byte (A) ↔ (ear)	Z	-	-	-	-	-	-	-	-	-
XCH	A, eam	2+	5+ (a)	0	2× (b)	byte (A) ↔ (eam)	Z	-	-	-	-	-	-	-	-	-
XCH	Ri, ear	2	7	4	0	byte (Ri) ↔ (ear)	-	-	-	-	-	-	-	-	-	-
XCH	Ri, eam	2+	9+ (a)	2	2× (b)	byte (Ri) ↔ (eam)	-	-	-	-	-	-	-	-	-	-

Note: For an explanation of “(a)” to “(d)”, refer to Table 4, “Number of Execution Cycles for Each Type of Addressing,” and Table 5, “Correction Values for Number of Cycles Used to Calculate Number of Actual Cycles.”

# MB90660A Series

**Table 8 Transfer Instructions (Word/Long Word) [38 Instructions]**

Mnemonic	#	~	RG	B	Operation	LH	AH	I	S	T	N	Z	V	C	RMW
MOVW A, dir	2	3	0	(c)	word (A) ← (dir)	-	*	-	-	-	*	*	-	-	-
MOVW A, addr16	3	4	0	(c)	word (A) ← (addr16)	-	*	-	-	-	*	*	-	-	-
MOVW A, SP	1	1	0	0	word (A) ← (SP)	-	*	-	-	-	*	*	-	-	-
MOVW A, RWi	1	2	1	0	word (A) ← (RWi)	-	*	-	-	-	*	*	-	-	-
MOVW A, ear	2	2	1	0	word (A) ← (ear)	-	*	-	-	-	*	*	-	-	-
MOVW A, eam	2+	3+ (a)	0	(c)	word (A) ← (eam)	-	*	-	-	-	*	*	-	-	-
MOVW A, io	2	3	0	(c)	word (A) ← (io)	-	*	-	-	-	*	*	-	-	-
MOVW A, @A	2	3	0	(c)	word (A) ← ((A))	-	-	-	-	-	*	*	-	-	-
MOVW A, #imm16	3	2	0	0	word (A) ← imm16	-	*	-	-	-	*	*	-	-	-
MOVW A, @RWi+disp8	2	5	1	(c)	word (A) ← ((RWi) +disp8)	-	*	-	-	-	*	*	-	-	-
MOVW A, @RLi+disp8	3	10	2	(c)	word (A) ← ((RLi) +disp8)	-	*	-	-	-	*	*	-	-	-
MOVW dir, A	2	3	0	(c)	word (dir) ← (A)	-	-	-	-	-	*	*	-	-	-
MOVW addr16, A	3	4	0	(c)	word (addr16) ← (A)	-	-	-	-	-	*	*	-	-	-
MOVW SP, A	1	1	0	0	word (SP) ← (A)	-	-	-	-	-	*	*	-	-	-
MOVW RWi, A	1	2	1	0	word (RWi) ← (A)	-	-	-	-	-	*	*	-	-	-
MOVW ear, A	2	2	1	0	word (ear) ← (A)	-	-	-	-	-	*	*	-	-	-
MOVW eam, A	2+	3+ (a)	0	(c)	word (eam) ← (A)	-	-	-	-	-	*	*	-	-	-
MOVW io, A	2	3	0	(c)	word (io) ← (A)	-	-	-	-	-	*	*	-	-	-
MOVW @RWi+disp8, A	2	5	1	(c)	word ((RWi) +disp8) ← (A)	-	-	-	-	-	*	*	-	-	-
MOVW @RLi+disp8, A	3	10	2	(c)	word ((RLi) +disp8) ← (A)	-	-	-	-	-	*	*	-	-	-
MOVW RWi, ear	2	3	2	(0)	word (RWi) ← (ear)	-	-	-	-	-	*	*	-	-	-
MOVW RWi, eam	2+	4+ (a)	1	(c)	word (RWi) ← (eam)	-	-	-	-	-	*	*	-	-	-
MOVW ear, RWi	2	4	2	0	word (ear) ← (RWi)	-	-	-	-	-	*	*	-	-	-
MOVW eam, RWi	2+	5+ (a)	1	(c)	word (eam) ← (RWi)	-	-	-	-	-	*	*	-	-	-
MOVW RWi, #imm16	3	2	1	0	word (RWi) ← imm16	-	-	-	-	-	*	*	-	-	-
MOVW io, #imm16	4	5	0	(c)	word (io) ← imm16	-	-	-	-	-	*	*	-	-	-
MOVW ear, #imm16	4	2	1	0	word (ear) ← imm16	-	-	-	-	-	*	*	-	-	-
MOVW eam, #imm16	4+	4+ (a)	0	(c)	word (eam) ← imm16	-	-	-	-	-	*	*	-	-	-
MOVW AL, AH /MOVW @A, T	2	3	0	(c)	word ((A)) ← (AH)	-	-	-	-	-	*	*	-	-	-
XCHW A, ear	2	4	2	0	word (A) ↔ (ear)	-	-	-	-	-	-	-	-	-	-
XCHW A, eam	2+	5+ (a)	0	2× (c)	word (A) ↔ (eam)	-	-	-	-	-	-	-	-	-	-
XCHW RWi, ear	2	7	4	0	word (RWi) ↔ (ear)	-	-	-	-	-	-	-	-	-	-
XCHW RWi, eam	2+	9+ (a)	2	2× (c)	word (RWi) ↔ (eam)	-	-	-	-	-	-	-	-	-	-
MOVL A, ear	2	4	2	0	long (A) ← (ear)	-	-	-	-	-	*	*	-	-	-
MOVL A, eam	2+	5+ (a)	0	(d)	long (A) ← (eam)	-	-	-	-	-	*	*	-	-	-
MOVL A, #imm32	5	3	0	0	long (A) ← imm32	-	-	-	-	-	*	*	-	-	-
MOVL ear, A	2	4	2	0	long (ear) ← (A)	-	-	-	-	-	*	*	-	-	-
MOVL eam, A	2+	5+ (a)	0	(d)	long (eam) ← (A)	-	-	-	-	-	*	*	-	-	-

Note: For an explanation of “(a)” to “(d)”, refer to Table 4, “Number of Execution Cycles for Each Type of Addressing,” and Table 5, “Correction Values for Number of Cycles Used to Calculate Number of Actual Cycles.”

**Table 9 Addition and Subtraction Instructions (Byte/Word/Long Word) [42 Instructions]**

Mnemonic	#	~	RG	B	Operation	LH	AH	I	S	T	N	Z	V	C	RMW
ADD	A, #imm8	2	2	0	0	byte (A) ← (A) +imm8	Z	-	-	-	*	*	*	*	-
ADD	A, dir	2	5	0	(b)	byte (A) ← (A) +(dir)	Z	-	-	-	*	*	*	*	-
ADD	A, ear	2	3	1	0	byte (A) ← (A) +(ear)	Z	-	-	-	*	*	*	*	-
ADD	A, eam	2+	4+ (a)	0	(b)	byte (A) ← (A) +(eam)	Z	-	-	-	*	*	*	*	-
ADD	ear, A	2	3	2	0	byte (ear) ← (ear) + (A)	-	-	-	-	*	*	*	*	-
ADD	eam, A	2+	5+ (a)	0	2× (b)	byte (eam) ← (eam) + (A)	Z	-	-	-	*	*	*	*	*
ADDC	A	1	2	0	0	byte (A) ← (AH) + (AL) + (C)	Z	-	-	-	*	*	*	*	-
ADDC	A, ear	2	3	1	0	byte (A) ← (A) + (ear) + (C)	Z	-	-	-	*	*	*	*	-
ADDC	A, eam	2+	4+ (a)	0	(b)	byte (A) ← (A) + (eam) + (C)	Z	-	-	-	*	*	*	*	-
ADDC	A	1	3	0	0	byte (A) ← (AH) + (AL) + (C) (decimal)	Z	-	-	-	*	*	*	*	-
SUB	A, #imm8	2	2	0	0	byte (A) ← (A) -imm8	Z	-	-	-	*	*	*	*	-
SUB	A, dir	2	5	0	(b)	byte (A) ← (A) -(dir)	Z	-	-	-	*	*	*	*	-
SUB	A, ear	2	3	1	0	byte (A) ← (A) - (ear)	Z	-	-	-	*	*	*	*	-
SUB	A, eam	2+	4+ (a)	0	(b)	byte (A) ← (A) - (eam)	Z	-	-	-	*	*	*	*	-
SUB	ear, A	2	3	2	0	byte (ear) ← (ear) - (A)	-	-	-	-	*	*	*	*	-
SUB	eam, A	2+	5+ (a)	0	2× (b)	byte (eam) ← (eam) - (A)	-	-	-	-	*	*	*	*	*
SUBC	A	1	2	0	0	byte (A) ← (AH) - (AL) - (C)	Z	-	-	-	*	*	*	*	-
SUBC	A, ear	2	3	1	0	byte (A) ← (A) - (ear) - (C)	Z	-	-	-	*	*	*	*	-
SUBC	A, eam	2+	4+ (a)	0	(b)	byte (A) ← (A) - (eam) - (C)	Z	-	-	-	*	*	*	*	-
SUBC	A	1	3	0	0	byte (A) ← (AH) - (AL) - (C) (decimal)	Z	-	-	-	*	*	*	*	-
ADDW	A	1	2	0	0	word (A) ← (AH) + (AL)	-	-	-	-	*	*	*	*	-
ADDW	A, ear	2	3	1	0	word (A) ← (A) +(ear)	-	-	-	-	*	*	*	*	-
ADDW	A, eam	2+	4+ (a)	0	(c)	word (A) ← (A) +(eam)	-	-	-	-	*	*	*	*	-
ADDW	A, #imm16	3	2	0	0	word (A) ← (A) +imm16	-	-	-	-	*	*	*	*	-
ADDW	ear, A	2	3	2	0	word (ear) ← (ear) + (A)	-	-	-	-	*	*	*	*	-
ADDW	eam, A	2+	5+ (a)	0	2× (c)	word (eam) ← (eam) + (A)	-	-	-	-	*	*	*	*	*
ADDCW	A, ear	2	3	1	0	word (A) ← (A) + (ear) + (C)	-	-	-	-	*	*	*	*	-
ADDCW	A, eam	2+	4+ (a)	0	(c)	word (A) ← (A) + (eam) + (C)	-	-	-	-	*	*	*	*	-
SUBW	A	1	2	0	0	word (A) ← (AH) - (AL)	-	-	-	-	*	*	*	*	-
SUBW	A, ear	2	3	1	0	word (A) ← (A) - (ear)	-	-	-	-	*	*	*	*	-
SUBW	A, eam	2+	4+ (a)	0	(c)	word (A) ← (A) - (eam)	-	-	-	-	*	*	*	*	-
SUBW	A, #imm16	3	2	0	0	word (A) ← (A) -imm16	-	-	-	-	*	*	*	*	-
SUBW	ear, A	2	3	2	0	word (ear) ← (ear) - (A)	-	-	-	-	*	*	*	*	-
SUBW	eam, A	2+	5+ (a)	0	2× (c)	word (eam) ← (eam) - (A)	-	-	-	-	*	*	*	*	*
SUBCW	A, ear	2	3	1	0	word (A) ← (A) - (ear) - (C)	-	-	-	-	*	*	*	*	-
SUBCW	A, eam	2+	4+ (a)	0	(c)	word (A) ← (A) - (eam) - (C)	-	-	-	-	*	*	*	*	-
ADDL	A, ear	2	6	2	0	long (A) ← (A) + (ear)	-	-	-	-	*	*	*	*	-
ADDL	A, eam	2+	7+ (a)	0	(d)	long (A) ← (A) + (eam)	-	-	-	-	*	*	*	*	-
ADDL	A, #imm32	5	4	0	0	long (A) ← (A) +imm32	-	-	-	-	*	*	*	*	-
SUBL	A, ear	2	6	2	0	long (A) ← (A) - (ear)	-	-	-	-	*	*	*	*	-
SUBL	A, eam	2+	7+ (a)	0	(d)	long (A) ← (A) - (eam)	-	-	-	-	*	*	*	*	-
SUBL	A, #imm32	5	4	0	0	long (A) ← (A) -imm32	-	-	-	-	*	*	*	*	-

Note: For an explanation of “(a)” to “(d)”, refer to Table 4, “Number of Execution Cycles for Each Type of Addressing,” and Table 5, “Correction Values for Number of Cycles Used to Calculate Number of Actual Cycles.”

# MB90660A Series

**Table 10 Increment and Decrement Instructions (Byte/Word/Long Word) [12 Instructions]**

Mnemonic	#	~	RG	B	Operation	LH	AH	I	S	T	N	Z	V	C	RMW
INC ear	2	2	2	0	byte (ear) ← (ear) +1	–	–	–	–	–	*	*	*	–	–
INC eam	2+	5+ (a)	0	2× (b)	byte (eam) ← (eam) +1	–	–	–	–	–	*	*	*	–	*
DEC ear	2	3	2	0	byte (ear) ← (ear) –1	–	–	–	–	–	*	*	*	–	–
DEC eam	2+	5+ (a)	0	2× (b)	byte (eam) ← (eam) –1	–	–	–	–	–	*	*	*	–	*
INCW ear	2	3	2	0	word (ear) ← (ear) +1	–	–	–	–	–	*	*	*	–	–
INCW eam	2+	5+ (a)	0	2× (c)	word (eam) ← (eam) +1	–	–	–	–	–	*	*	*	–	*
DECW ear	2	3	2	0	word (ear) ← (ear) –1	–	–	–	–	–	*	*	*	–	–
DECW eam	2+	5+ (a)	0	2× (c)	word (eam) ← (eam) –1	–	–	–	–	–	*	*	*	–	*
INCL ear	2	7	4	0	long (ear) ← (ear) +1	–	–	–	–	–	*	*	*	–	–
INCL eam	2+	9+ (a)	0	2× (d)	long (eam) ← (eam) +1	–	–	–	–	–	*	*	*	–	*
DECL ear	2	7	4	0	long (ear) ← (ear) –1	–	–	–	–	–	*	*	*	–	–
DECL eam	2+	9+ (a)	0	2× (d)	long (eam) ← (eam) –1	–	–	–	–	–	*	*	*	–	*

Note: For an explanation of “(a)” to “(d)”, refer to Table 4, “Number of Execution Cycles for Each Type of Addressing,” and Table 5, “Correction Values for Number of Cycles Used to Calculate Number of Actual Cycles.”

**Table 11 Compare Instructions (Byte/Word/Long Word) [11 Instructions]**

Mnemonic	#	~	RG	B	Operation	LH	AH	I	S	T	N	Z	V	C	RMW
CMP A	1	1	0	0	byte (AH) – (AL)	–	–	–	–	–	*	*	*	*	–
CMP A, ear	2	2	1	0	byte (A) ← (ear)	–	–	–	–	–	*	*	*	*	–
CMP A, eam	2+	3+ (a)	0	(b)	byte (A) ← (eam)	–	–	–	–	–	*	*	*	*	–
CMP A, #imm8	2	2	0	0	byte (A) ← imm8	–	–	–	–	–	*	*	*	*	–
CMPW A	1	1	0	0	word (AH) – (AL)	–	–	–	–	–	*	*	*	*	–
CMPW A, ear	2	2	1	0	word (A) ← (ear)	–	–	–	–	–	*	*	*	*	–
CMPW A, eam	2+	3+ (a)	0	(c)	word (A) ← (eam)	–	–	–	–	–	*	*	*	*	–
CMPW A, #imm16	3	2	0	0	word (A) ← imm16	–	–	–	–	–	*	*	*	*	–
CMPL A, ear	2	6	2	0	word (A) ← (ear)	–	–	–	–	–	*	*	*	*	–
CMPL A, eam	2+	7+ (a)	0	(d)	word (A) ← (eam)	–	–	–	–	–	*	*	*	*	–
CMPL A, #imm32	5	3	0	0	word (A) ← imm32	–	–	–	–	–	*	*	*	*	–

Note: For an explanation of “(a)” to “(d)”, refer to Table 4, “Number of Execution Cycles for Each Type of Addressing,” and Table 5, “Correction Values for Number of Cycles Used to Calculate Number of Actual Cycles.”

**Table 12 Multiplication and Division Instructions (Byte/Word/Long Word) [11 Instructions]**

Mnemonic	#	~	RG	B	Operation	LH	AH	I	S	T	N	Z	V	C	RMW
DIVU A	1	*1	0	0	word (AH) /byte (AL) Quotient → byte (AL) Remainder → byte (AH)	-	-	-	-	-	-	-	*	*	-
DIVU A, ear	2	*2	1	0	word (A)/byte (ear) Quotient → byte (A) Remainder → byte (ear)	-	-	-	-	-	-	-	*	*	-
DIVU A, eam	2+	*3	0	*6	word (A)/byte (eam) Quotient → byte (A) Remainder → byte (eam)	-	-	-	-	-	-	-	*	*	-
DIVUW A, ear	2	*4	1	0	long (A)/word (ear) Quotient → word (A) Remainder → word (ear)	-	-	-	-	-	-	-	*	*	-
DIVUW A, eam	2+	*5	0	*7	long (A)/word (eam) Quotient → word (A) Remainder → word (eam)	-	-	-	-	-	-	-	*	*	-
MULU A	1	*8	0	0		-	-	-	-	-	-	-	-	-	-
MULU A, ear	2	*9	1	0	byte (AH) *byte (AL) → word (A)	-	-	-	-	-	-	-	-	-	-
MULU A, eam	2+	*10	0	(b)	byte (A) *byte (ear) → word (A) byte (A) *byte (eam) → word (A)	-	-	-	-	-	-	-	-	-	-
MULUW A	1	*11	0	0		-	-	-	-	-	-	-	-	-	-
MULUW A, ear	2	*12	1	0	word (AH) *word (AL) → long (A)	-	-	-	-	-	-	-	-	-	-
MULUW A, eam	2+	*13	0	(c)	word (A) *word (ear) → long (A) word (A) *word (eam) → long (A)	-	-	-	-	-	-	-	-	-	-

- \*1: 3 when the result is zero, 7 when an overflow occurs, and 15 normally.
- \*2: 4 when the result is zero, 8 when an overflow occurs, and 16 normally.
- \*3: 6 + (a) when the result is zero, 9 + (a) when an overflow occurs, and 19 + (a) normally.
- \*4: 4 when the result is zero, 7 when an overflow occurs, and 22 normally.
- \*5: 6 + (a) when the result is zero, 8 + (a) when an overflow occurs, and 26 + (a) normally.
- \*6: (b) when the result is zero or when an overflow occurs, and 2 × (b) normally.
- \*7: (c) when the result is zero or when an overflow occurs, and 2 × (c) normally.
- \*8: 3 when byte (AH) is zero, and 7 when byte (AH) is not zero.
- \*9: 4 when byte (ear) is zero, and 8 when byte (ear) is not zero.
- \*10: 5 + (a) when byte (eam) is zero, and 9 + (a) when byte (eam) is not 0.
- \*11: 3 when word (AH) is zero, and 11 when word (AH) is not zero.
- \*12: 4 when word (ear) is zero, and 12 when word (ear) is not zero.
- \*13: 5 + (a) when word (eam) is zero, and 13 + (a) when word (eam) is not zero.

Note: For an explanation of “(a)” to “(d)”, refer to Table 4, “Number of Execution Cycles for Each Type of Addressing,” and Table 5, “Correction Values for Number of Cycles Used to Calculate Number of Actual Cycles.”

# MB90660A Series

**Table 13 Logical 1 Instructions (Byte/Word) [39 Instructions]**

Mnemonic	#	~	RG	B	Operation	LH	AH	I	S	T	N	Z	V	C	RMW
AND A, #imm8	2	2	0	0	byte (A) ← (A) and imm8	-	-	-	-	-	*	*	R	-	-
AND A, ear	2	3	1	0	byte (A) ← (A) and (ear)	-	-	-	-	-	*	*	R	-	-
AND A, eam	2+	4+ (a)	0	(b)	byte (A) ← (A) and (eam)	-	-	-	-	-	*	*	R	-	-
AND ear, A	2	3	2	0	byte (ear) ← (ear) and (A)	-	-	-	-	-	*	*	R	-	-
AND eam, A	2+	5+ (a)	0	2× (b)	byte (eam) ← (eam) and (A)	-	-	-	-	-	*	*	R	-	*
OR A, #imm8	2	2	0	0	byte (A) ← (A) or imm8	-	-	-	-	-	*	*	R	-	-
OR A, ear	2	3	1	0	byte (A) ← (A) or (ear)	-	-	-	-	-	*	*	R	-	-
OR A, eam	2+	4+ (a)	0	(b)	byte (A) ← (A) or (eam)	-	-	-	-	-	*	*	R	-	-
OR ear, A	2	3	2	0	byte (ear) ← (ear) or (A)	-	-	-	-	-	*	*	R	-	-
OR eam, A	2+	5+ (a)	0	2× (b)	byte (eam) ← (eam) or (A)	-	-	-	-	-	*	*	R	-	*
XOR A, #imm8	2	2	0	0	byte (A) ← (A) xor imm8	-	-	-	-	-	*	*	R	-	-
XOR A, ear	2	3	1	0	byte (A) ← (A) xor (ear)	-	-	-	-	-	*	*	R	-	-
XOR A, eam	2+	4+ (a)	0	(b)	byte (A) ← (A) xor (eam)	-	-	-	-	-	*	*	R	-	-
XOR ear, A	2	3	2	0	byte (ear) ← (ear) xor (A)	-	-	-	-	-	*	*	R	-	-
XOR eam, A	2+	5+ (a)	0	2× (b)	byte (eam) ← (eam) xor (A)	-	-	-	-	-	*	*	R	-	*
NOT A	1	2	0	0	byte (A) ← not (A)	-	-	-	-	-	*	*	R	-	-
NOT ear	2	3	2	0	byte (ear) ← not (ear)	-	-	-	-	-	*	*	R	-	-
NOT eam	2+	5+ (a)	0	2× (b)	byte (eam) ← not (eam)	-	-	-	-	-	*	*	R	-	*
ANDW A	1	2	0	0	word (A) ← (AH) and (A)	-	-	-	-	-	*	*	R	-	-
ANDW A, #imm16	3	2	0	0	word (A) ← (A) and imm16	-	-	-	-	-	*	*	R	-	-
ANDW A, ear	2	3	1	0	word (A) ← (A) and (ear)	-	-	-	-	-	*	*	R	-	-
ANDW A, eam	2+	4+ (a)	0	(c)	word (A) ← (A) and (eam)	-	-	-	-	-	*	*	R	-	-
ANDW ear, A	2	3	2	0	word (ear) ← (ear) and (A)	-	-	-	-	-	*	*	R	-	-
ANDW eam, A	2+	5+ (a)	0	2× (c)	word (eam) ← (eam) and (A)	-	-	-	-	-	*	*	R	-	*
ORW A	1	2	0	0	word (A) ← (AH) or (A)	-	-	-	-	-	*	*	R	-	-
ORW A, #imm16	3	2	0	0	word (A) ← (A) or imm16	-	-	-	-	-	*	*	R	-	-
ORW A, ear	2	3	1	0	word (A) ← (A) or (ear)	-	-	-	-	-	*	*	R	-	-
ORW A, eam	2+	4+ (a)	0	(c)	word (A) ← (A) or (eam)	-	-	-	-	-	*	*	R	-	-
ORW ear, A	2	3	2	0	word (ear) ← (ear) or (A)	-	-	-	-	-	*	*	R	-	-
ORW eam, A	2+	5+ (a)	0	2× (c)	word (eam) ← (eam) or (A)	-	-	-	-	-	*	*	R	-	*
XORW A	1	2	0	0	word (A) ← (AH) xor (A)	-	-	-	-	-	*	*	R	-	-
XORW A, #imm16	3	2	0	0	word (A) ← (A) xor imm16	-	-	-	-	-	*	*	R	-	-
XORW A, ear	2	3	1	0	word (A) ← (A) xor (ear)	-	-	-	-	-	*	*	R	-	-
XORW A, eam	2+	4+ (a)	0	(c)	word (A) ← (A) xor (eam)	-	-	-	-	-	*	*	R	-	-
XORW ear, A	2	3	2	0	word (ear) ← (ear) xor (A)	-	-	-	-	-	*	*	R	-	-
XORW eam, A	2+	5+ (a)	0	2× (c)	word (eam) ← (eam) xor (A)	-	-	-	-	-	*	*	R	-	*
NOTW A	1	2	0	0	word (A) ← not (A)	-	-	-	-	-	*	*	R	-	-
NOTW ear	2	3	2	0	word (ear) ← not (ear)	-	-	-	-	-	*	*	R	-	-
NOTW eam	2+	5+ (a)	0	2× (c)	word (eam) ← not (eam)	-	-	-	-	-	*	*	R	-	*

Note: For an explanation of “(a)” to “(d)”, refer to Table 4, “Number of Execution Cycles for Each Type of Addressing,” and Table 5, “Correction Values for Number of Cycles Used to Calculate Number of Actual Cycles.”



**Table 14 Logical 2 Instructions (Long Word) [6 Instructions]**

Mnemonic	#	~	RG	B	Operation	LH	AH	I	S	T	N	Z	V	C	RMW
ANDL A, ear	2	6	2	0	long (A) ← (A) and (ear)	-	-	-	-	-	*	*	R	-	-
ANDL A, eam	2+	7+ (a)	0	(d)	long (A) ← (A) and (eam)	-	-	-	-	-	*	*	R	-	-
ORL A, ear	2	6	2	0	long (A) ← (A) or (ear)	-	-	-	-	-	*	*	R	-	-
ORL A, eam	2+	7+ (a)	0	(d)	long (A) ← (A) or (eam)	-	-	-	-	-	*	*	R	-	-
XORL A, ea	2	6	2	0	long (A) ← (A) xor (ear)	-	-	-	-	-	*	*	R	-	-
XORL A, eam	2+	7+ (a)	0	(d)	long (A) ← (A) xor (eam)	-	-	-	-	-	*	*	R	-	-

**Table 15 Sign Inversion Instructions (Byte/Word) [6 Instructions]**

Mnemonic	#	~	RG	B	Operation	LH	AH	I	S	T	N	Z	V	C	RMW
NEG A	1	2	0	0	byte (A) ← 0 - (A)	X	-	-	-	-	*	*	*	*	-
NEG ear	2	3	2	0	byte (ear) ← 0 - (ear)	-	-	-	-	-	*	*	*	*	-
NEG eam	2+	5+ (a)	0	2× (b)	byte (eam) ← 0 - (eam)	-	-	-	-	-	*	*	*	*	*
NEGW A	1	2	0	0	word (A) ← 0 - (A)	-	-	-	-	-	*	*	*	*	-
NEGW ear	2	3	2	0	word (ear) ← 0 - (ear)	-	-	-	-	-	*	*	*	*	-
NEGW eam	2+	5+ (a)	0	2× (c)	word (eam) ← 0 - (eam)	-	-	-	-	-	*	*	*	*	*

**Table 16 Normalize Instruction (Long Word) [1 Instruction]**

Mnemonic	#	~	RG	B	Operation	LH	AH	I	S	T	N	Z	V	C	RMW
NRML A, R0	2	*1	1	0	long (A) ← Shift until first digit is "1" byte (R0) ← Current shift count	-	-	-	-	-	-	*	-	-	-

\*1: 4 when the contents of the accumulator are all zeroes, 6 + (R0) in all other cases (shift count).

Note: For an explanation of "(a)" to "(d)", refer to Table 4, "Number of Execution Cycles for Each Type of Addressing," and Table 5, "Correction Values for Number of Cycles Used to Calculate Number of Actual Cycles."

# MB90660A Series

**Table 17 Shift Instructions (Byte/Word/Long Word) [18 Instructions]**

Mnemonic	#	~	RG	B	Operation	LH	AH	I	S	T	N	Z	V	C	RMW
RORC A	2	2	0	0	byte (A) ← Right rotation with carry	-	-	-	-	-	*	*	-	*	-
ROLC A	2	2	0	0	byte (A) ← Left rotation with carry	-	-	-	-	-	*	*	-	*	-
RORC ear	2	3	2	0	byte (ear) ← Right rotation with carry	-	-	-	-	-	*	*	-	*	-
RORC eam	2+	5+ (a)	0	2× (b)	byte (eam) ← Right rotation with carry	-	-	-	-	-	*	*	-	*	*
ROLC ear	2	3	2	0	byte (ear) ← Left rotation with carry	-	-	-	-	-	*	*	-	*	-
ROLC eam	2+	5+ (a)	0	2× (b)	byte (eam) ← Left rotation with carry	-	-	-	-	-	*	*	-	*	*
ASR A, R0	2	*1	1	0	byte (A) ← Arithmetic right barrel shift (A, R0)	-	-	-	-	*	*	*	-	*	-
LSR A, R0	2	*1	1	0	byte (A) ← Logical right barrel shift (A, R0)	-	-	-	-	*	*	*	-	*	-
LSL A, R0	2	*1	1	0	byte (A) ← Logical left barrel shift (A, R0)	-	-	-	-	-	*	*	-	*	-
ASRW A	1	2	0	0	word (A) ← Arithmetic right shift (A, 1 bit)	-	-	-	-	*	*	*	-	*	-
LSRW A/SHRW A	1	2	0	0	word (A) ← Logical right shift (A, 1 bit)	-	-	-	-	*	R	*	-	*	-
LSLW A/SHLW A	1	2	0	0	word (A) ← Logical left shift (A, 1 bit)	-	-	-	-	-	*	*	-	*	-
ASRW A, R0	2	*1	1	0	word (A) ← Arithmetic right barrel shift (A, R0)	-	-	-	-	*	*	*	-	*	-
LSRW A, R0	2	*1	1	0	word (A) ← Logical right barrel shift (A, R0)	-	-	-	-	*	*	*	-	*	-
LSLW A, R0	2	*1	1	0	word (A) ← Logical left barrel shift (A, R0)	-	-	-	-	-	*	*	-	*	-
ASRL A, R0	2	*2	1	0	long (A) ← Arithmetic right shift (A, R0)	-	-	-	-	*	*	*	-	*	-
LSRL A, R0	2	*2	1	0	long (A) ← Logical right barrel shift (A, R0)	-	-	-	-	*	*	*	-	*	-
LSLL A, R0	2	*2	1	0	long (A) ← Logical left barrel shift (A, R0)	-	-	-	-	-	*	*	-	*	-

\*1: 6 when R0 is 0, 5 + (R0) in all other cases.

\*2: 6 when R0 is 0, 6 + (R0) in all other cases.

Note: For an explanation of “(a)” to “(d)”, refer to Table 4, “Number of Execution Cycles for Each Type of Addressing,” and Table 5, “Correction Values for Number of Cycles Used to Calculate Number of Actual Cycles.”

**Table 18 Branch 1 Instructions [31 Instructions]**

Mnemonic	#	~	RG	B	Operation	LH	AH	I	S	T	N	Z	V	C	RMW
BZ/BEQ	rel	2	*1	0	0	Branch when (Z) = 1	-	-	-	-	-	-	-	-	-
BNZ/BNE	rel	2	*1	0	0	Branch when (Z) = 0	-	-	-	-	-	-	-	-	-
BC/BLO	rel	2	*1	0	0	Branch when (C) = 1	-	-	-	-	-	-	-	-	-
BNC/BHS	rel	2	*1	0	0	Branch when (C) = 0	-	-	-	-	-	-	-	-	-
BN	rel	2	*1	0	0	Branch when (N) = 1	-	-	-	-	-	-	-	-	-
BP	rel	2	*1	0	0	Branch when (N) = 0	-	-	-	-	-	-	-	-	-
BV	rel	2	*1	0	0	Branch when (V) = 1	-	-	-	-	-	-	-	-	-
BNV	rel	2	*1	0	0	Branch when (V) = 0	-	-	-	-	-	-	-	-	-
BT	rel	2	*1	0	0	Branch when (T) = 1	-	-	-	-	-	-	-	-	-
BNT	rel	2	*1	0	0	Branch when (T) = 0	-	-	-	-	-	-	-	-	-
BLT	rel	2	*1	0	0	Branch when (V) xor (N) = 1	-	-	-	-	-	-	-	-	-
BGE	rel	2	*1	0	0	Branch when (V) xor (N) = 0	-	-	-	-	-	-	-	-	-
BLE	rel	2	*1	0	0	Branch when ((V) xor (N)) or (Z) = 1	-	-	-	-	-	-	-	-	-
BGT	rel	2	*1	0	0	Branch when ((V) xor (N)) or (Z) = 0	-	-	-	-	-	-	-	-	-
BLS	rel	2	*1	0	0	Branch when (C) or (Z) = 1	-	-	-	-	-	-	-	-	-
BHI	rel	2	*1	0	0	Branch when (C) or (Z) = 0	-	-	-	-	-	-	-	-	-
BRA	rel	2	*1	0	0	Branch unconditionally	-	-	-	-	-	-	-	-	-
JMP	@A	1	2	0	0	word (PC) ← (A)	-	-	-	-	-	-	-	-	-
JMP	addr16	3	3	0	0	word (PC) ← addr16	-	-	-	-	-	-	-	-	-
JMP	@ear	2	3	1	0	word (PC) ← (ear)	-	-	-	-	-	-	-	-	-
JMP	@eam	2+	3	0	(c)	word (PC) ← (eam)	-	-	-	-	-	-	-	-	-
JMPP	@ear *3	2	4+ (a)	2	0	word (PC) ← (ear), (PCB) ← (ear +2)	-	-	-	-	-	-	-	-	-
JMPP	@eam *3	2+	5	0	(d)	word (PC) ← (eam), (PCB) ← (eam +2)	-	-	-	-	-	-	-	-	-
JMPP	addr24	4	6+ (a)	0	0	word (PC) ← ad24 0 to 15, (PCB) ← ad24 16 to 23	-	-	-	-	-	-	-	-	-
CALL	@ear *4	2	6	1	(c)	word (PC) ← (ear)	-	-	-	-	-	-	-	-	-
CALL	@eam *4	2+	7+ (a)	0	2× (c)	word (PC) ← (eam)	-	-	-	-	-	-	-	-	-
CALL	addr16 *5	3	6	0	(c)	word (PC) ← addr16	-	-	-	-	-	-	-	-	-
CALLV	#vct4 *5	1	6	0	2× (c)	Vector call instruction	-	-	-	-	-	-	-	-	-
CALLP	@ear *6	2	7	2	2× (c)	word (PC) ← (ear) 0 to 15 (PCB) ← (ear) 16 to 23	-	-	-	-	-	-	-	-	-
CALLP	@eam *6	2+	10	0	*2	word (PC) ← (eam) 0 to 15 (PCB) ← (eam) 16 to 23	-	-	-	-	-	-	-	-	-
CALLP	addr24 *7	4	10	0	2× (c)	word (PC) ← addr0 to 15, (PCB) ← addr16 to 23	-	-	-	-	-	-	-	-	-

\*1: 4 when branching, 3 when not branching.

\*2: (b) + 3 × (c)

\*3: Read (word) branch address.

\*4: W: Save (word) to stack; R: read (word) branch address.

\*5: Save (word) to stack.

\*6: W: Save (long word) to W stack; R: read (long word) R branch address.

\*7: Save (long word) to stack.

Note: For an explanation of “(a)” to “(d)”, refer to Table 4, “Number of Execution Cycles for Each Type of Addressing,” and Table 5, “Correction Values for Number of Cycles Used to Calculate Number of Actual Cycles.”

# MB90660A Series

**Table 19 Branch 2 Instructions [19 Instructions]**

Mnemonic	#	~	RG	B	Operation	LH	AH	I	S	T	N	Z	V	C	RMW
CBNE A, #imm8, rel	3	*1	0	0	Branch when byte (A) ≠ imm8	-	-	-	-	-	*	*	*	*	-
CWBNE A, #imm16, rel	4	*1	0	0	Branch when word (A) ≠ imm16	-	-	-	-	-	*	*	*	*	-
CBNE ear, #imm8, rel	4	*2	1	0	Branch when byte (ear) ≠ imm8	-	-	-	-	-	*	*	*	*	-
CBNE eam, #imm8, rel*9	4+	*3	0	(b)	Branch when byte (eam) ≠ imm8	-	-	-	-	-	*	*	*	*	-
CWBNE ear, #imm16, rel	5	*4	1	0	Branch when word (ear) ≠ imm16	-	-	-	-	-	*	*	*	*	-
CWBNE eam, #imm16, rel*9	5+	*3	0	(c)	Branch when word (eam) ≠ imm16	-	-	-	-	-	*	*	*	*	-
DBNZ ear, rel	3	*5	2	0	Branch when byte (ear) = (ear) - 1, and (ear) ≠ 0	-	-	-	-	-	*	*	*	-	-
DBNZ eam, rel	3+	*6	2	2× (b)	Branch when byte (eam) = (eam) - 1, and (eam) ≠ 0	-	-	-	-	-	*	*	*	-	*
DWBNZ ear, rel	3	*5	2	0	Branch when word (ear) = (ear) - 1, and (ear) ≠ 0	-	-	-	-	-	*	*	*	-	-
DWBNZ eam, rel	3+	*6	2	2× (c)	Branch when word (eam) = (eam) - 1, and (eam) ≠ 0	-	-	-	-	-	*	*	*	-	*
INT #vct8	2	20	0	8× (c)	Software interrupt	-	-	R	S	-	-	-	-	-	-
INT addr16	3	16	0	6× (c)	Software interrupt	-	-	R	S	-	-	-	-	-	-
INTP addr24	4	17	0	6× (c)	Software interrupt	-	-	R	S	-	-	-	-	-	-
INT9	1	20	0	8× (c)	Software interrupt	-	-	R	S	-	-	-	-	-	-
RETI	1	15	0	6× (c)	Return from interrupt	-	-	*	*	*	*	*	*	*	-
LINK #local8	2	6	0	(c)	At constant entry, save old frame pointer to stack, set new frame pointer, and allocate local pointer area	-	-	-	-	-	-	-	-	-	-
UNLINK	1	5	0	(c)	At constant entry, retrieve old frame pointer from stack.	-	-	-	-	-	-	-	-	-	-
RET *7	1	4	0	(c)	Return from subroutine	-	-	-	-	-	-	-	-	-	-
RETP *8	1	6	0	(d)	Return from subroutine	-	-	-	-	-	-	-	-	-	-

\*1: 5 when branching, 4 when not branching

\*2: 13 when branching, 12 when not branching

\*3: 7 + (a) when branching, 6 + (a) when not branching

\*4: 8 when branching, 7 when not branching

\*5: 7 when branching, 6 when not branching

\*6: 8 + (a) when branching, 7 + (a) when not branching

\*7: Retrieve (word) from stack

\*8: Retrieve (long word) from stack

\*9: In the CBNE/CWBNE instruction, do not use the RWj+ addressing mode.

Note: For an explanation of “(a)” to “(d)”, refer to Table 4, “Number of Execution Cycles for Each Type of Addressing,” and Table 5, “Correction Values for Number of Cycles Used to Calculate Number of Actual Cycles.”

**Table 20 Other Control Instructions (Byte/Word/Long Word) [36 Instructions]**

Mnemonic	#	~	RG	B	Operation	LH	AH	I	S	T	N	Z	V	C	RMW
PUSHW A	1	4	0	(c)	word (SP) ← (SP) -2, ((SP)) ← (A)	-	-	-	-	-	-	-	-	-	-
PUSHW AH	1	4	0	(c)	word (SP) ← (SP) -2, ((SP)) ← (AH)	-	-	-	-	-	-	-	-	-	-
PUSHW PS	1	4	0	(c)	word (SP) ← (SP) -2, ((SP)) ← (PS)	-	-	-	-	-	-	-	-	-	-
PUSHW rlst	2	*3	*5	*4	(SP) ← (SP) -2n, ((SP)) ← (rlst)	-	-	-	-	-	-	-	-	-	-
POPW A	1	3	0	(c)	word (A) ← ((SP)), (SP) ← (SP) +2	-	*	-	-	-	-	-	-	-	-
POPW AH	1	3	0	(c)	word (AH) ← ((SP)), (SP) ← (SP) +2	-	-	-	-	-	-	-	-	-	-
POPW PS	1	4	0	(c)	word (PS) ← ((SP)), (SP) ← (SP) +2	-	-	*	*	*	*	*	*	*	-
POPW rlst	2	*2	*5	*4	(rlst) ← ((SP)), (SP) ← (SP) +2n	-	-	-	-	-	-	-	-	-	-
JCTX @A	1	14	0	6× (c)	Context switch instruction	-	-	*	*	*	*	*	*	*	-
AND CCR, #imm8	2	3	0	0	byte (CCR) ← (CCR) and imm8	-	-	*	*	*	*	*	*	*	-
OR CCR, #imm8	2	3	0	0	byte (CCR) ← (CCR) or imm8	-	-	*	*	*	*	*	*	*	-
MOV RP, #imm8	2	2	0	0	byte (RP) ← imm8	-	-	-	-	-	-	-	-	-	-
MOV ILM, #imm8	2	2	0	0	byte (ILM) ← imm8	-	-	-	-	-	-	-	-	-	-
MOVEA RWi, ear	2	3	1	0	word (RWi) ← ear	-	-	-	-	-	-	-	-	-	-
MOVEA RWi, eam	2+	2+ (a)	1	0	word (RWi) ← eam	-	-	-	-	-	-	-	-	-	-
MOVEA A, ear	2	1	0	0	word(A) ← ear	-	*	-	-	-	-	-	-	-	-
MOVEA A, eam	2+	1+ (a)	0	0	word(A) ← eam	-	*	-	-	-	-	-	-	-	-
ADDSP #imm8	2	3	0	0	word (SP) ← (SP) +ext (imm8)	-	-	-	-	-	-	-	-	-	-
ADDSP #imm16	3	3	0	0	word (SP) ← (SP) +imm16	-	-	-	-	-	-	-	-	-	-
MOV A, brgl	2	*1	0	0	byte (A) ← (brgl)	Z	*	-	-	-	*	*	-	-	-
MOV brg2, A	2	1	0	0	byte (brg2) ← (A)	-	-	-	-	-	*	*	-	-	-
NOP	1	1	0	0	No operation	-	-	-	-	-	-	-	-	-	-
ADB	1	1	0	0	Prefix code for accessing AD space	-	-	-	-	-	-	-	-	-	-
DTB	1	1	0	0	Prefix code for accessing DT space	-	-	-	-	-	-	-	-	-	-
PCB	1	1	0	0	Prefix code for accessing PC space	-	-	-	-	-	-	-	-	-	-
SPB	1	1	0	0	Prefix code for accessing SP space	-	-	-	-	-	-	-	-	-	-
NCC	1	1	0	0	Prefix code for no flag change	-	-	-	-	-	-	-	-	-	-
CMR	1	1	0	0	Prefix code for common register bank	-	-	-	-	-	-	-	-	-	-

\*1: PCB, ADB, SSB, USB, and SPB : 1 state  
DTB, DPR : 2 states

\*2:  $7 + 3 \times (\text{pop count}) + 2 \times (\text{last register number to be popped})$ , 7 when rlst = 0 (no transfer register)

\*3:  $29 + (\text{push count}) - 3 \times (\text{last register number to be pushed})$ , 8 when rlst = 0 (no transfer register)

\*4: Pop count × (c), or push count × (c)

\*5: Pop count or push count.

Note: For an explanation of “(a)” to “(d)”, refer to Table 4, “Number of Execution Cycles for Each Type of Addressing,” and Table 5, “Correction Values for Number of Cycles Used to Calculate Number of Actual Cycles.”

# MB90660A Series

**Table 21 Bit Manipulation Instructions [21 Instructions]**

Mnemonic	#	~	RG	B	Operation	LH	AH	I	S	T	N	Z	V	C	RMW
MOVB A, dir:bp	3	5	0	(b)	byte (A) ← (dir:bp) b	Z	*	-	-	-	*	*	-	-	-
MOVB A, addr16:bp	4	5	0	(b)	byte (A) ← (addr16:bp) b	Z	*	-	-	-	*	*	-	-	-
MOVB A, io:bp	3	4	0	(b)	byte (A) ← (io:bp) b	Z	*	-	-	-	*	*	-	-	-
MOVB dir:bp, A	3	7	0	2× (b)	bit (dir:bp) b ← (A)	-	-	-	-	-	*	*	-	-	*
MOVB addr16:bp, A	4	7	0	2× (b)	bit (addr16:bp) b ← (A)	-	-	-	-	-	*	*	-	-	*
MOVB io:bp, A	3	6	0	2× (b)	bit (io:bp) b ← (A)	-	-	-	-	-	*	*	-	-	*
SETB dir:bp	3	7	0	2× (b)	bit (dir:bp) b ← 1	-	-	-	-	-	-	-	-	-	*
SETB addr16:bp	4	7	0	2× (b)	bit (addr16:bp) b ← 1	-	-	-	-	-	-	-	-	-	*
SETB io:bp	3	7	0	2× (b)	bit (io:bp) b ← 1	-	-	-	-	-	-	-	-	-	*
CLRB dir:bp	3	7	0	2× (b)	bit (dir:bp) b ← 0	-	-	-	-	-	-	-	-	-	*
CLRB addr16:bp	4	7	0	2× (b)	bit (addr16:bp) b ← 0	-	-	-	-	-	-	-	-	-	*
CLRB io:bp	3	7	0	2× (b)	bit (io:bp) b ← 0	-	-	-	-	-	-	-	-	-	*
BBC dir:bp, rel	4	*1	0	(b)	Branch when (dir:bp) b = 0	-	-	-	-	-	-	*	-	-	-
BBC addr16:bp, rel	5	*1	0	(b)	Branch when (addr16:bp) b = 0	-	-	-	-	-	-	*	-	-	-
BBC io:bp, rel	4	*2	0	(b)	Branch when (io:bp) b = 0	-	-	-	-	-	-	*	-	-	-
BBS dir:bp, rel	4	*1	0	(b)	Branch when (dir:bp) b = 1	-	-	-	-	-	-	*	-	-	-
BBS addr16:bp, rel	5	*1	0	(b)	Branch when (addr16:bp) b = 1	-	-	-	-	-	-	*	-	-	-
BBS io:bp, rel	4	*2	0	(b)	Branch when (io:bp) b = 1	-	-	-	-	-	-	*	-	-	-
SBBS addr16:bp, rel	5	*3	0	2× (b)	Branch when (addr16:bp) b = 1, bit = 1	-	-	-	-	-	-	*	-	-	*
WBTS io:bp	3	*4	0	*5	Wait until (io:bp) b = 1	-	-	-	-	-	-	-	-	-	-
WBTC io:bp	3	*4	0	*5	Wait until (io:bp) b = 0	-	-	-	-	-	-	-	-	-	-

\*1: 8 when branching, 7 when not branching

\*2: 7 when branching, 6 when not branching

\*3: 10 when condition is satisfied, 9 when not satisfied

\*4: Undefined count

\*5: Until condition is satisfied

Note: For an explanation of “(a)” to “(d)”, refer to Table 4, “Number of Execution Cycles for Each Type of Addressing,” and Table 5, “Correction Values for Number of Cycles Used to Calculate Number of Actual Cycles.”

**Table 22 Accumulator Manipulation Instructions (Byte/Word) [6 Instructions]**

Mnemonic	#	~	RG	B	Operation	LH	AH	I	S	T	N	Z	V	C	RMW
SWAP	1	3	0	0	byte (A) 0 to 7 ↔ (A) 8 to 15	–	–	–	–	–	–	–	–	–	–
SWAPW/XCHW AL, AH	1	2	0	0	word (AH) ↔ (AL)	–	*	–	–	–	–	–	–	–	–
EXT	1	1	0	0	byte sign extension	X	–	–	–	–	*	*	–	–	–
EXTW	1	2	0	0	word sign extension	–	X	–	–	–	*	*	–	–	–
ZEXT	1	1	0	0	byte zero extension	Z	–	–	–	–	R	*	–	–	–
ZEXTW	1	1	0	0	word zero extension	–	Z	–	–	–	R	*	–	–	–

**Table 23 String Instructions [10 Instructions]**

Mnemonic	#	~	RG	B	Operation	LH	AH	I	S	T	N	Z	V	C	RMW
MOVS/MOVS	2	*2	*5	*3	Byte transfer @AH+ ← @AL+, counter = RW0	–	–	–	–	–	–	–	–	–	–
MOVSD	2	*2	*5	*3	Byte transfer @AH– ← @AL–, counter = RW0	–	–	–	–	–	–	–	–	–	–
SCEQ/SCEQI	2	*1	*5	*4	Byte retrieval (@AH+) – AL, counter = RW0	–	–	–	–	–	*	*	*	*	–
SCEQD	2	*1	*5	*4	Byte retrieval (@AH–) – AL, counter = RW0	–	–	–	–	–	*	*	*	*	–
FISL/FILSI	2	6m +6	*5	*3	Byte filling @AH+ ← AL, counter = RW0	–	–	–	–	–	*	*	–	–	–
MOVSW/MOVSWI	2	*2	*8	*6	Word transfer @AH+ ← @AL+, counter = RW0	–	–	–	–	–	–	–	–	–	–
MOVSWD	2	*2	*8	*6	Word transfer @AH– ← @AL–, counter = RW0	–	–	–	–	–	–	–	–	–	–
SCWEQ/SCWEQI	2	*1	*8	*7	Word retrieval (@AH+) – AL, counter = RW0	–	–	–	–	–	*	*	*	*	–
SCWEQD	2	*1	*8	*7	Word retrieval (@AH–) – AL, counter = RW0	–	–	–	–	–	*	*	*	*	–
FILSW/FILSWI	2	6m +6	*8	*6	Word filling @AH+ ← AL, counter = RW0	–	–	–	–	–	*	*	–	–	–

m: RW0 value (counter value)

n: Loop count

\*1: 5 when RW0 is 0,  $4 + 7 \times (RW0)$  for count out, and  $7 \times n + 5$  when match occurs

\*2: 5 when RW0 is 0,  $4 + 8 \times (RW0)$  in any other case

\*3:  $(b) \times (RW0) + (b) \times (RW0)$  when accessing different areas for the source and destination, calculate (b) separately for each.

\*4:  $(b) \times n$

\*5:  $2 \times (RW0)$

\*6:  $(c) \times (RW0) + (c) \times (RW0)$  when accessing different areas for the source and destination, calculate (c) separately for each.

\*7:  $(c) \times n$

\*8:  $2 \times (RW0)$

Note: For an explanation of “(a)” to “(d)”, refer to Table 4, “Number of Execution Cycles for Each Type of Addressing,” and Table 5, “Correction Values for Number of Cycles Used to Calculate Number of Actual Cycles.”

# MB90660A Series

## ■ MASK OPTION LIST

No.	Part number	MB60662A MB90663A		MB90P663A	
	Specifying procedure	Specify when ordering masking		Set with EPROM programmer	
1	P00 to P07 P10 to P17 P20 to P27 P30 to P33 P40 to P47 P60 to P66 $\overline{\text{RST}}$ DTTI	Pull-up resistor can be selected for each pin		Pull-up resistor can be selected for each pin	
2	MD2	Pull-down resistor	Can be selected all at once	Cannot be selected; pull-down resistor not provided	
	MD1	Pull-up resistor		Pull-up resistor	Can be selected all at once
	MD0	Pull-up resistor		Pull-up resistor	
3	Accept asynchronous reset input  Accepted Not accepted	Can be selected		Can be selected	

- Notes:
- A specification of “yes” for accept asynchronous reset input refers to a function whereby reset input is accepted when oscillation for output ports (including peripheral resource output) is stopped and port output (including peripheral resource output) is forced Hi-z. Note, however, that since internal reset (reset of the CPU and peripheral resources) is synchronized with the clock, the CPU and peripheral resources are not initialized when the clock is stopped.
  - For details on writing to the MB90P663A, see Chapter 6, “■ PROGRAMMING THE MB90P663A EPROM”.
  - Use of a pull-up/pull-down resistors for the mode pins (MD2 to MD0) can be selected separately for each pin. If “yes” is selected, a pull-up is attached to MD0 and MD1 and a pull-down to MD2 for mask ROM versions. A pull-up is attached to MD0 and MD1, but a pull-down is not attached to MD2 for OTP versions.
  - Since it takes eight machine cycles to make option settings for the MB90P663A, options cannot be set between when power is first turned on and the clock is supplied. (This results in a setting of no pull-up for all pins and accept asynchronous reset input.)



# MB90660A Series

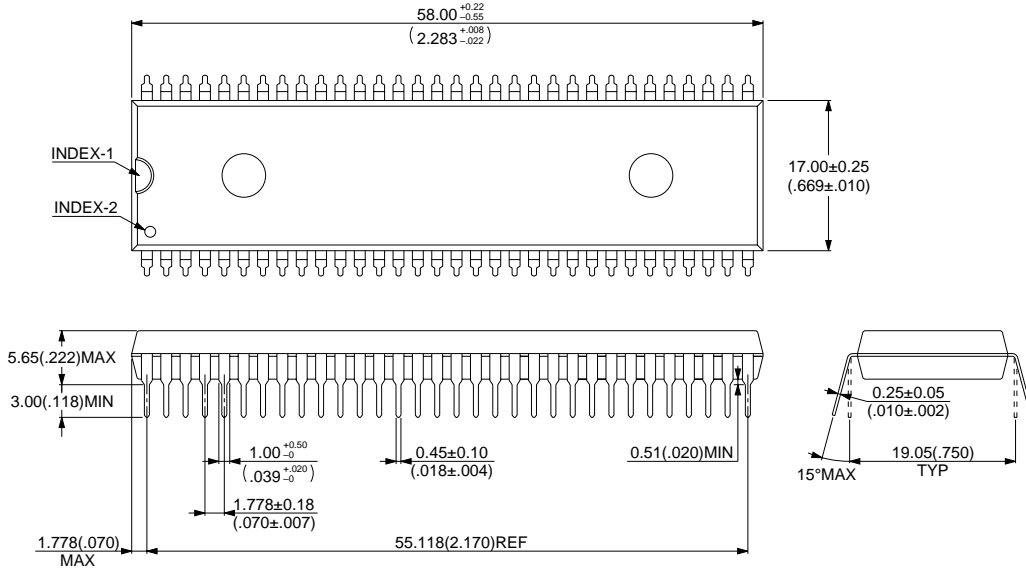
## ■ ORDERING INFORMATION

Part number	Package	Remarks
MB90662AP-SH MB90663AP-SH MB90P663AP-SH	64-pin plastic SH-DIP (DIP-64P-M01)	
MB90662APFM MB90663APFM MB90P663APFM	64-pin plastic LQFP (FTP-64P-M09)	

# MB90660A Series

## PACKAGE DIMENSIONS

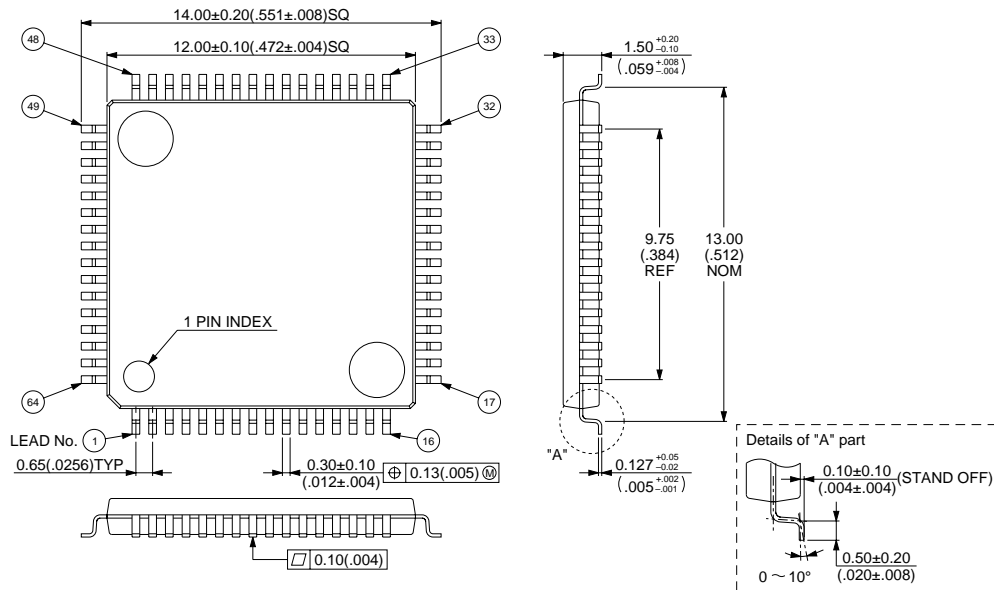
64-pin Plastic SH-DIP  
(DIP-64P-M01)



© 1994 FUJITSU LIMITED D64001S-3C-4

Dimensions in mm (inches)

64-pin Plastic LQFP  
(FPT-64P-M09)



© 1994 FUJITSU LIMITED F64018S-1C-2

Dimensions in mm (inches)

**MEMO**

# MB90660A Series

FUJITSU LIMITED

*For further information please contact:*

## **Japan**

FUJITSU LIMITED  
Corporate Global Business Support Division  
Electronic Devices  
KAWASAKI PLANT, 4-1-1, Kamikodanaka  
Nakahara-ku, Kawasaki-shi  
Kanagawa 211-88, Japan  
Tel: (044) 754-3763  
Fax: (044) 754-3329

## **North and South America**

FUJITSU MICROELECTRONICS, INC.  
Semiconductor Division  
3545 North First Street  
San Jose, CA 95134-1804, U.S.A.  
Tel: (408) 922-9000  
Fax: (408) 432-9044/9045

## **Europe**

FUJITSU MIKROELEKTRONIK GmbH  
Am Siebenstein 6-10  
63303 Dreieich-Buchsschlag  
Germany  
Tel: (06103) 690-0  
Fax: (06103) 690-122

## **Asia Pacific**

FUJITSU MICROELECTRONICS ASIA PTE. LIMITED  
#05-08, 151 Lorong Chuan  
New Tech Park  
Singapore 556741  
Tel: (65) 281-0770  
Fax: (65) 281-0220

F9703

© FUJITSU LIMITED Printed in Japan

All Rights Reserved.

The contents of this document are subject to change without notice. Customers are advised to consult with FUJITSU sales representatives before ordering.

The information and circuit diagrams in this document presented as examples of semiconductor device applications, and are not intended to be incorporated in devices for actual use. Also, FUJITSU is unable to assume responsibility for infringement of any patent rights or other rights of third parties arising from the use of this information or circuit diagrams.

FUJITSU semiconductor devices are intended for use in standard applications (computers, office automation and other office equipment, industrial, communications, and measurement equipment, personal or household devices, etc.).

### **CAUTION:**

Customers considering the use of our products in special applications where failure or abnormal operation may directly affect human lives or cause physical injury or property damage, or where extremely high levels of reliability are demanded (such as aerospace systems, atomic energy controls, sea floor repeaters, vehicle operating controls, medical devices for life support, etc.) are requested to consult with FUJITSU sales representatives before such use. The company will not be responsible for damages arising from such use without prior approval.

Any semiconductor devices have inherently a certain rate of failure. You must protect against injury, damage or loss from such failures by incorporating safety design measures into your facility and equipment such as redundancy, fire protection, and prevention of over-current levels and other abnormal operating conditions.

If any products described in this document represent goods or technologies subject to certain restrictions on export under the Foreign Exchange and Foreign Trade Control Law of Japan, the prior authorization by Japanese government should be required for export of those products from Japan.

\*DS07-1360