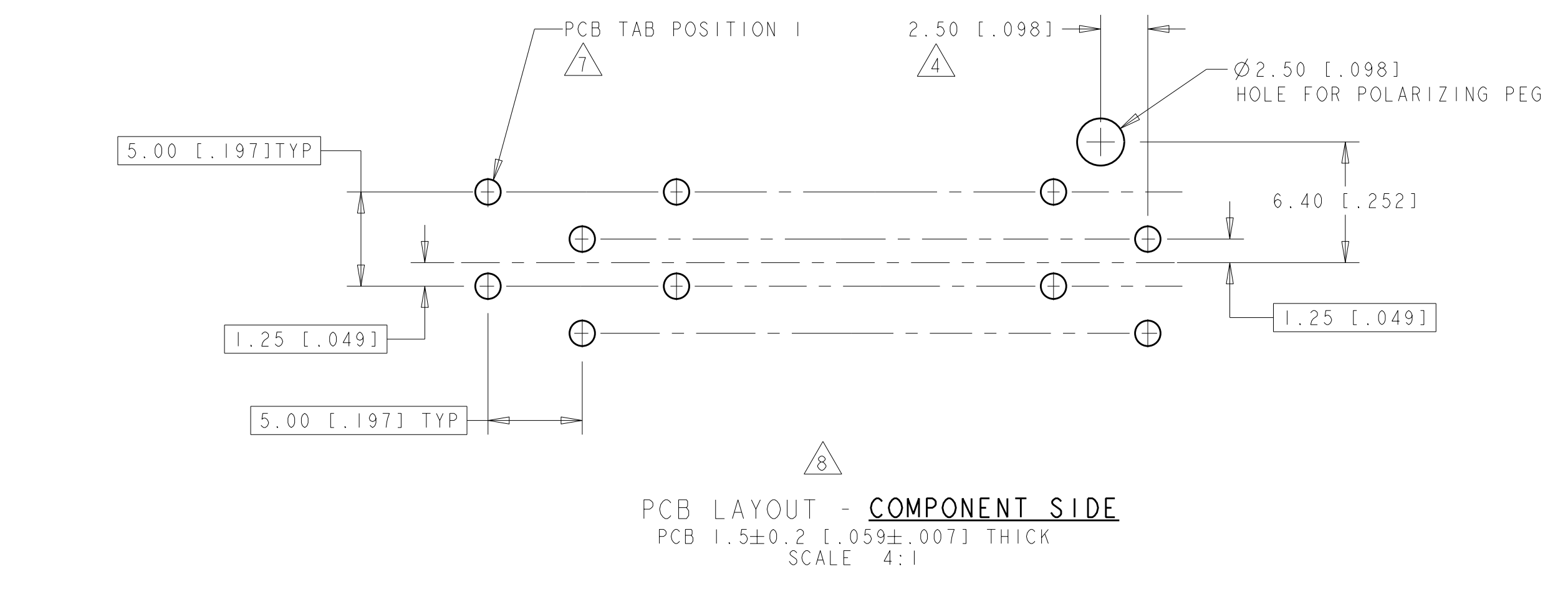
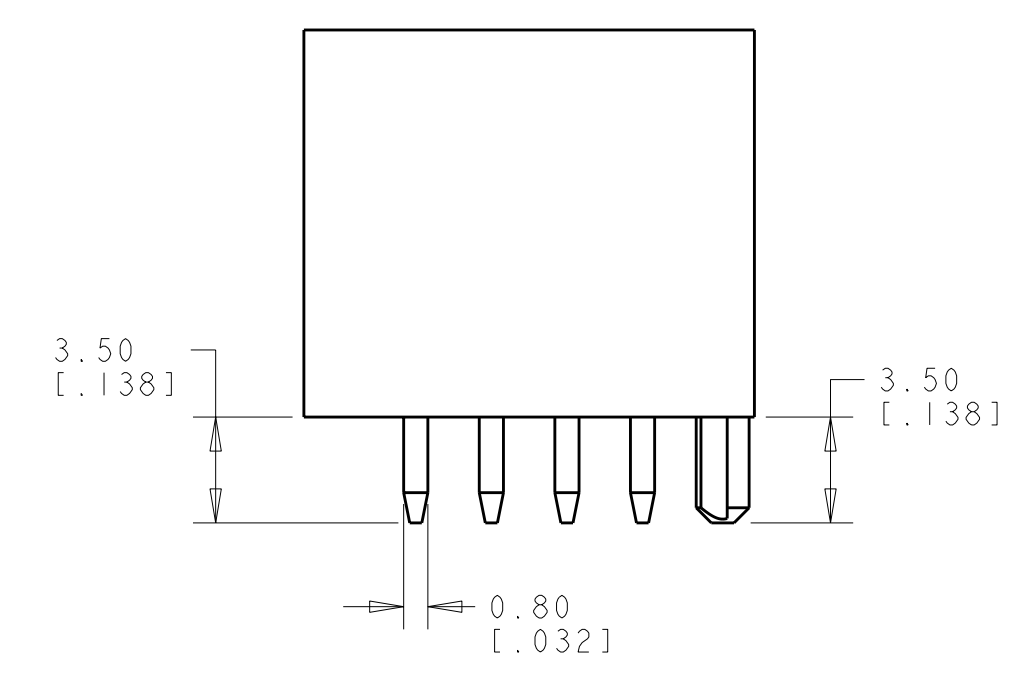
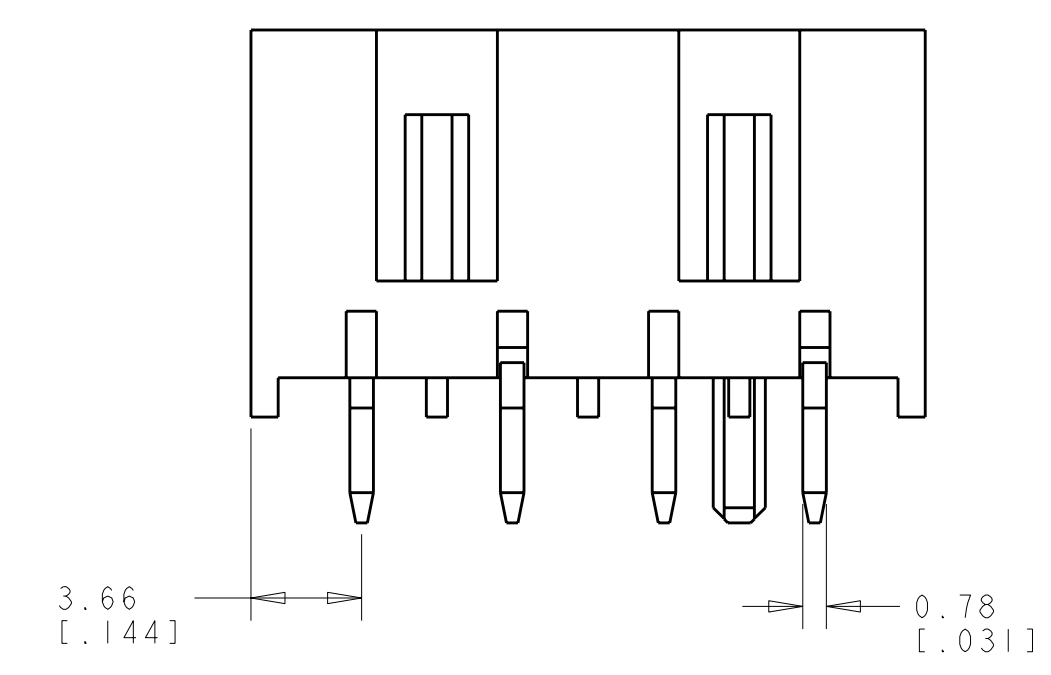
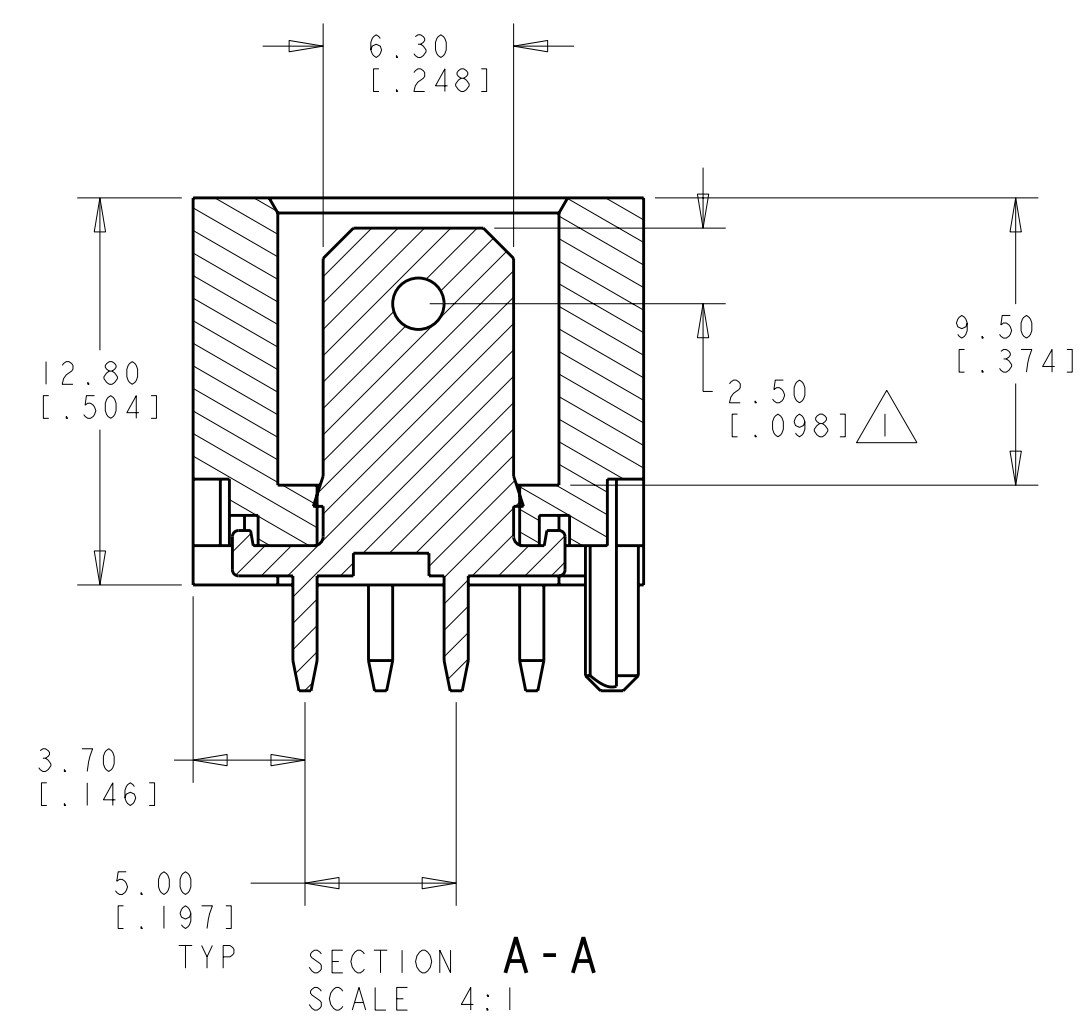
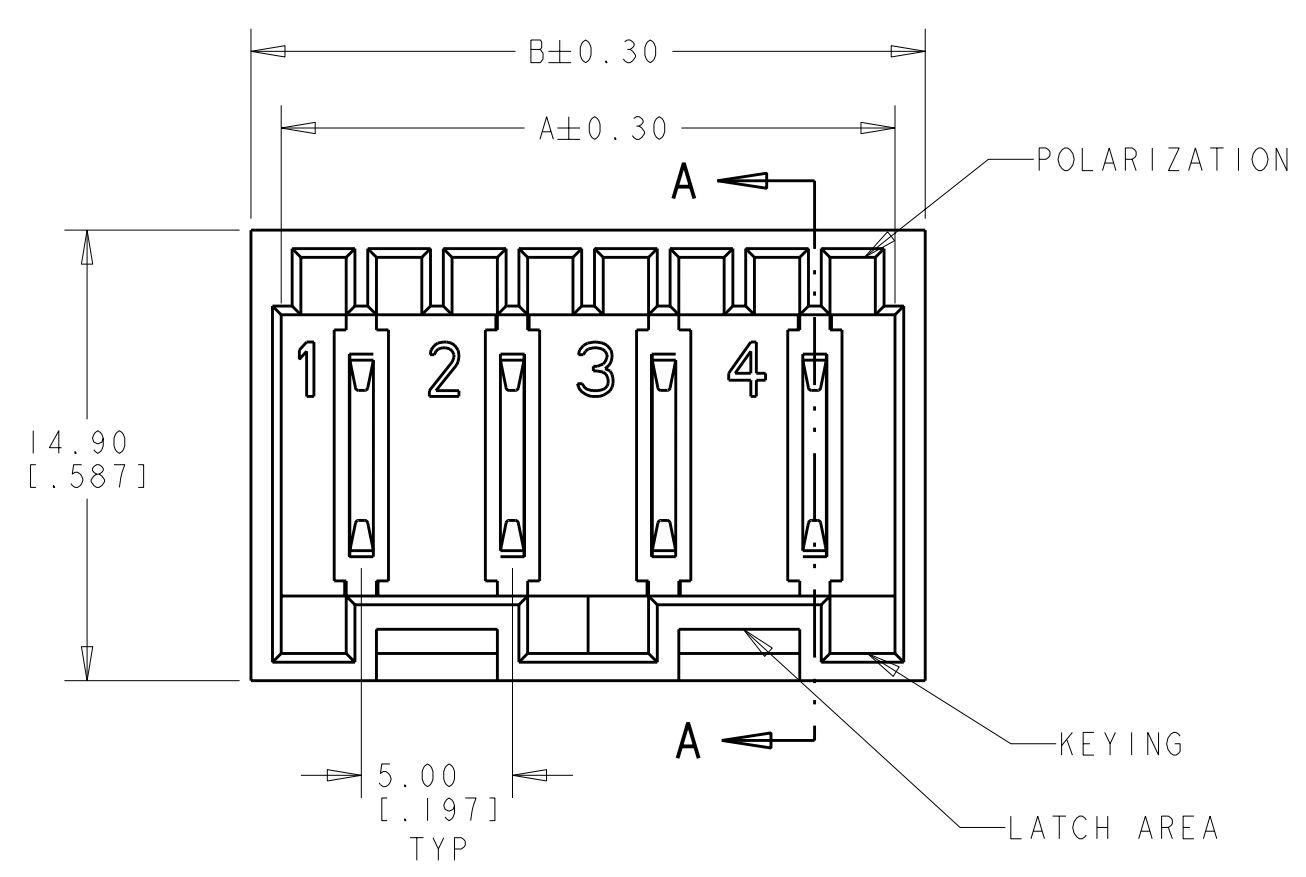


LOC	DIST	REV	DATE	BY	APPD
AF	50	F1	15DEC09	JR	RL
		REVISIONS			
		DESCRIPTION	DATE	DWN	APPD
		REVISED PER ECR-09-023810	15DEC09	JR	RL



PCB LAYOUT - COMPONENT SIDE
 PCB 1.5±0.2 [.059±.007] THICK
 SCALE 4:1

1. HOUSING HAS RAST 5 COMPLIANT KEYING, LATCHING, AND POLARIZATION. TAB IS 6.3 x 0.8 [.248 x .032], HOWEVER, THE LOCATION OF THE TAB HOLE DOES NOT MEET DIN 46244.
2. RECOMMENDED MATING CONNECTOR FAMILIES INCLUDE POSITIVE-LOCK RAST 5, STANDARD TIMER RAST 5, MULTIFITTING, MULTIFITTING MKII, AND MONO-SHAPE TAB CONNECTORS.
3. SEE SHEET 2 FOR AVAILABLE CONFIGURATIONS.
4. DIMENSION OFF OF LAST POSITION REGARDLESS OF EVEN OR ODD POSITION CONNECTOR.
5. MATERIAL: HOUSING, NYLON 66, UL 94V-O. CONTACT, BRASS, 0.8 mm THICK.
6. FINISH: CONTACTS, 3.8 μm MIN TIN OVER 1.3 μm MIN NICKEL.
7. PCB TABS INSERTED IN A STAGGERED PATTERN BEGINNING WITH POSITION 1.
8. SELECTED HOLES MAY BE 1.05+0.05/-0.00 DIA [.041+.002/-.001 DIA] FOR IMPROVED (PRESS-FIT) RETENTION TO P.C.B. PRIOR TO SOLDERING.
9. PRODUCT QUALIFICATION PER 108-2183
10. PRELIMINARY - NOT FOR PRODUCTION
11. PREPRODUCTION - FASR REQUIRED

47.3	45.3	9
42.3	40.3	8
37.3	35.3	7
32.3	30.3	6
27.3	25.3	5
22.3	20.3	4
17.3	15.3	3
12.3	10.3	2
B	A	NO. OF POS.

DIMENSIONS: mm [INCHES] TOLERANCES UNLESS OTHERWISE SPECIFIED: 9 PLC ± 8 PLC ±0.25 (.010) 5 PLC ± 4 PLC ± ANGLES ±2° FINISH: 5, 6		DWN: M. S. FEHER 02MAR2004 CHK: J. HUMMEL 02MAR2004 APVD: J. HUMMEL 02MAR2004 PRODUCT SPEC: 108-2183 APPLICATION SPEC:	Tyco Electronics Harrisburg, PA 17105-3608 NAME: ASSEMBLY, POSITIVE-LOCK, RAST 5, HEADER, VERTICAL SIZE: A1 CAGE CODE: 00779 DRAWING NO: 521382 RESTRICTED TO:
MATERIAL: 5 FINISH: 6		WEIGHT: - CUSTOMER DRAWING	SCALE: 4:1 SHEET: 1 OF 3 REV: F1

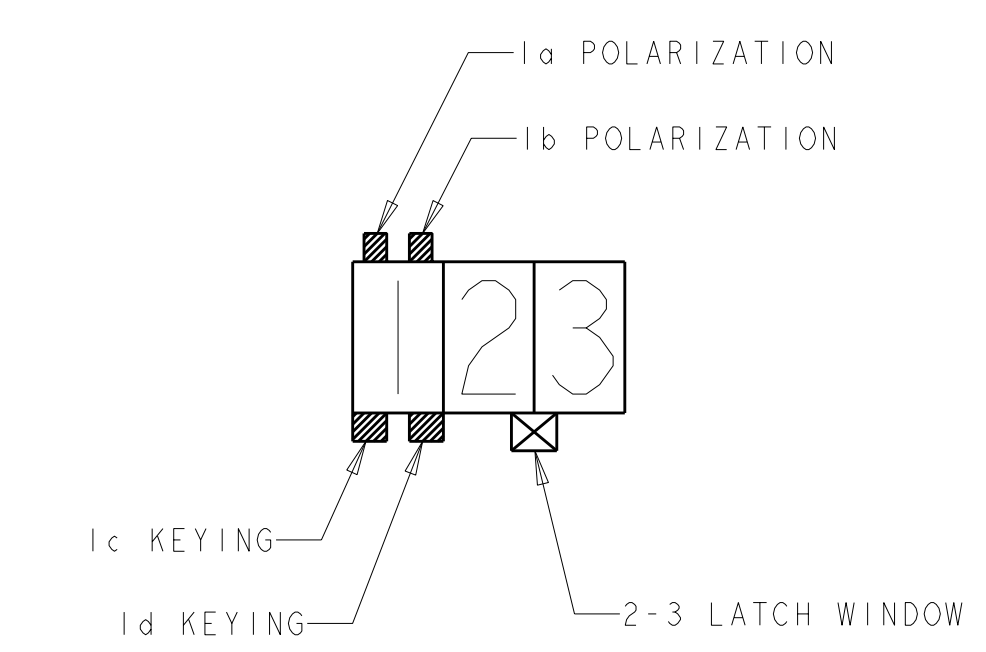
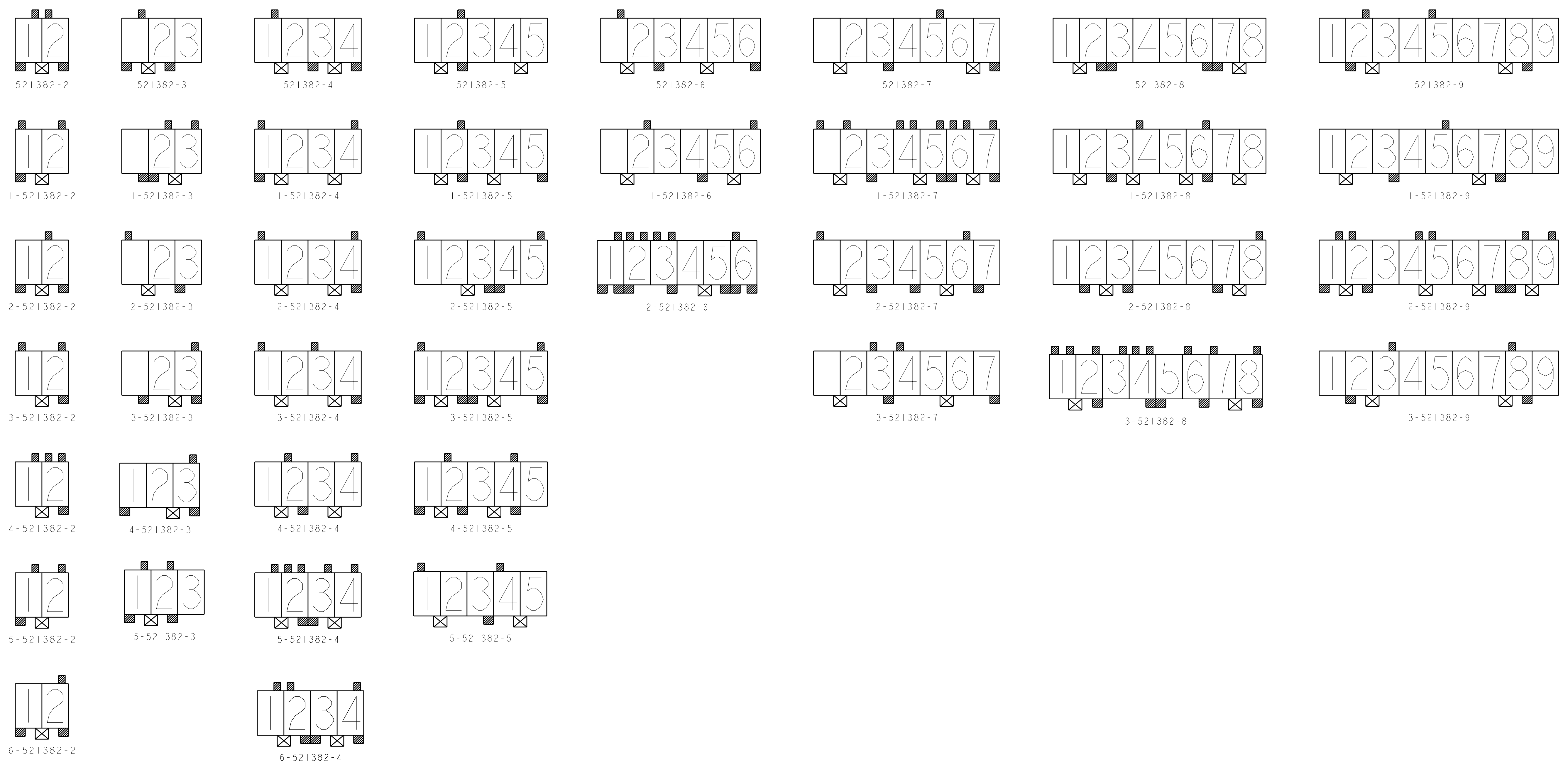
THIS DRAWING IS UNPUBLISHED. RELEASED FOR PUBLICATION 20
 © COPYRIGHT 20 BY TYCO ELECTRONICS CORPORATION. ALL RIGHTS RESERVED.

LOC		DIST		REVISIONS				
P	LTB	DESCRIPTION	DATE	DWN	APVD			
-	-	SEE SHEET 1	-	-	-			

2-3,7-8	2c,8d	3b,8a	9	-	3-521382-9
1-2,4-5,6-7,8-9	1c,2d,7d,8c	1b,2a,4b,5a,8b,9b	9	-	10 2-521382-9
1-2,6-7	3d,7d	5b	9	09-D	10 1-521382-9
2-3,7-8	2c,8d	2b,5a	9	09-C +2c	10 521382-9
1-2,7-8	2d,4d,5c,6d,8d	1a,1b,2b,3b,4a,4b,6a,7a,8b	8	-	10 3-521382-8
2-3,7-8	2c,3d,7c	8b	8	08-C	2-521382-8
1-2,3-4,5-6,7-8	3c,6d	4a,6b	8	-	1-521382-8
1-2,7-8	2d,3c,6d,7c	-	8	08-D	521382-8
1-2,5-6	3d,7d	3a,4a	7	-	3-521382-7
1-2,5-6	3c,4d,7c	1a,6b	7	-	2-521382-7
1-2,4-5,6-7	3c,5d,6c,7d	1a,2a,4a,4b,5b,6a,6b,7b	7	-	1-521382-7
1-2,6-7	3d,7d	5b	7	07-C	521382-7
4-5	1c,1d,2c,3d,5d,6c,6d	1b,2a,2b,3a,3b,6a	6	-	2-521382-6
1-2,5-6	4d	2b,6b	6	06-D	1-521382-6
1-2,4-5	3c,6d	1b	6	06-A	521382-6
1-2,4-5	3d	1a,4a	5	05-D	5-521382-5
1-2,3-4	1c,2d,4d	2a,4b	5	-	4-521382-5
1-2,3-4	1c,2d,3c,5d	1a,5b	5	-	3-521382-5
2-3	3d,4c	1a,5b	5	-	2-521382-5
1-2,3-4	2d,5d	2b	5	-	1-521382-5
1-2,4-5	2d	2b	5	05-B	521382-5
1-2,3-4	2D,3C,4D	1B,2A,4B	4	-	6-521382-4
1-2,3-4	2d,3c	1b,2a,2b,3b,4b	4	-	10 5-521382-4
1-2,3-4	2d	2a,4b	4	04-G	4-521382-4
1-2,3-4	4d	1a,3a	4	04-F	3-521382-4
1-2,3-4	4d	1a,4b	4	04-C	2-521382-4
1-2,3-4	1c	1a,4b	4	04-B	1-521382-4
1-2,3-4	3c,4d	1b	4	04-A	521382-4
1-2	1c,2d	1b,2b	3	-	10 5-521382-3
2-3	1c,3d	3b	3	03-K	4-521382-3
2-3	1d,3d	3b	3	-	3-521382-3
1-2	3c	1a	3	03-D	2-521382-3
2-3	1d,2c	2b,3b	3	03-B	1-521382-3
1-2	1c,2d	1b	3	03-A	521382-3
1-2	1c,2d	2b	2	02-P	6-521382-2
1-2	1c	1b,2b	2	02-I	5-521382-2
1-2	2d	1b,2a,2b	2	02-G	4-521382-2
1-2	2d	1a,2b	2	02-E	3-521382-2
1-2	1c,2d	2a	2	02-C	2-521382-2
1-2	1c	1a,2b	2	02-B	1-521382-2
1-2	1c,2d	1b,2a	2	02-A	521382-2
LATCH WINDOWS	KEYING	POLAR.	NO. OF POS.	RAST 5 DESIG.	PART NUMBER

DIMENSIONS: mm [INCHES] 		TOLERANCES UNLESS OTHERWISE SPECIFIED: 9 PLC ± 1 PLC ±0.25(.010) 5 PLC ± 4 PLC ± ANGLES ±2° FINISH		DWN R. FLAIG 02MAR2004 CHK J. HUMMEL 02MAR2004 APVD J. HUMMEL 02MAR2004		Tyco Electronics Harrisburg, PA 17105-3608	
MATERIAL: - FINISH: -		WEIGHT: - CUSTOMER DRAWING		PRODUCT SPEC: 108-2183 APPLICATION SPEC: - SIZE: A 00779 C=521382 SCALE: 4:1 SHEET: 2 OF 3 REV: F		ASSEMBLY, POSITIVE-LOCK, RAST 5, HEADER, VERTICAL	

LOC	DIST	REV	DATE	BY	CHKD	APVD	DESCRIPTION	DATE	DWN	APVD
AF	50	-	-	-	-	-	SEE SHEET 1	-	-	-



PICTORIAL VIEW KEY

<small>THIS DRAWING IS UNPUBLISHED. RELEASED FOR PUBLICATION. BY TYCO ELECTRONICS CORPORATION, ALL RIGHTS RESERVED.</small>		DWN M. S. FEHER 02MAR2004 CHK J. HUMMEL 02MAR2004 APVD J. HUMMEL 02MAR2004	Tyco Electronics Harrisburg, PA 17105-3608
DIMENSIONS: mm [INCHES]	TOLERANCES UNLESS OTHERWISE SPECIFIED: 9 PLC ± 1 PLC ±0.25(0.010) 3 PLC ± 4 PLC ± ANGLES ±2°	PRODUCT SPEC 108-2183 APPLICATION SPEC	NAME ASSEMBLY, POSITIVE-LOCK, RAST 5, HEADER, VERTICAL SIZE CAGE CODE DRAWING NO. RESTRICTED TO A11 00779 C=521382
MATERIAL	FINISH	WEIGHT	CUSTOMER DRAWING
		SCALE 4:1	SHEET 3 OF 3 REV F1