



# STM8S103xx STM8S105xx

Access line, STM8S 8-bit MCU, up to 32 Kbytes Flash,  
10-bit ADC, timers, USART, SPI, I<sup>2</sup>C

Preliminary Data

## Features

### Core

- Max  $f_{CPU}$ : up to 16 MHz
- Advanced STM8 core with Harvard architecture and 3-stage pipeline
- Extended instruction set

### Memories

- Program memory: Up to 32 Kbytes Flash; data retention 20 years at 85°C after 1 kcycles
- RAM: Up to 2 Kbytes

### Clock, reset and supply management

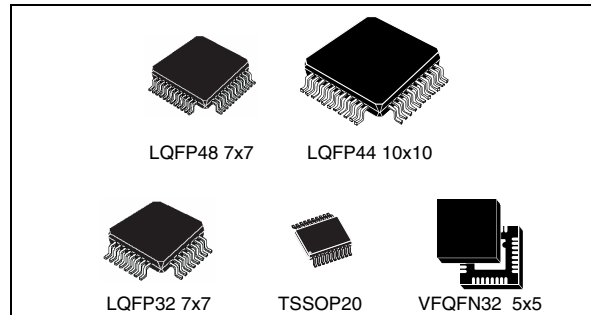
- 3.0 to 5.5 V operating voltage
- Flexible clock control, 4 master clock sources:
  - Low power crystal resonator oscillator
  - External clock input
  - Internal 16 MHz RC
  - Internal low power 128 kHz RC
- Clock security system with clock monitor
- Power management:
  - Low power modes (Wait, Active-halt, Halt)
  - Switch-off peripheral clocks individually
- Permanently active, low consumption power-on and power-down reset

### Interrupt management

- Nested interrupt controller with 32 interrupts
- Up to 37 external interrupts on 6 vectors

### Timers

- 2x 16-bit general purpose timers, with 2+3 CAPCOM channels (IC, OC or PWM)
- Advanced control timer: 16-bit, 4 CAPCOM channels, 3 complementary outputs, dead-time insertion and flexible synchronization
- 8-bit basic timer with 8-bit prescaler
- Auto wake-up timer
- 2 watchdog timers: Window watchdog and independent watchdog



### Communications interfaces

- USART or LINUART with clock output for synchronous operation, smartcard mode, IrDA mode, LIN master mode
- SPI synchronous serial interface up to 8 Mbit/s
- I<sup>2</sup>C interface up to 400 Kbit/s

### Analog to digital converter (ADC)

- 10-bit,  $\pm 1$  LSB ADC with up to 10 multiplexed channels, scan mode and analog watchdog

### I/Os

- Up to 38 I/Os on a 48-pin package including 9 high sink outputs
- Highly robust I/O design, immune against current injection

Table 1. Device summary

| Reference  | Root part number  |
|------------|---|
| STM8S103xx | STM8S103K3  |
| STM8S105xx | STM8S105C6, STM8S105C4,<br>STM8S105K6, STM8S105K4,<br>STM8S105S6, STM8S105S4, |

# Contents

- 1 Introduction ..... 6**
- 2 Description ..... 7**
- 3 Block diagram ..... 8**
- 4 Product overview ..... 10**
  - 4.1 Central processing unit STM8 ..... 10
  - 4.2 Single wire interface module (SWIM) and debug module (DM) ..... 11
  - 4.3 Interrupt controller ..... 11
  - 4.4 Flash program memory ..... 11
  - 4.5 Clock controller ..... 13
  - 4.6 Power management ..... 14
  - 4.7 Watchdog timers ..... 14
  - 4.8 Auto wake-up counter ..... 15
  - 4.9 Beeper ..... 15
  - 4.10 TIM1 - 16-bit advanced control timer ..... 15
  - 4.11 TIM2- 16-bit general purpose timer ..... 15
  - 4.12 TIM4 - 8-bit basic timer ..... 15
  - 4.13 Analog/digital converter (ADC) ..... 17
  - 4.14 Communication interfaces ..... 17
    - 4.14.1 USART ..... 18
    - 4.14.2 LINUART ..... 18
    - 4.14.3 SPI ..... 19
    - 4.14.4 I<sup>2</sup>C ..... 20
- 5 Pinouts and pin description ..... 21**
  - 5.1 Package pinouts ..... 21
  - 5.2 Pin description ..... 25
    - 5.2.1 Alternate function remapping ..... 30
- 6 Option bytes ..... 31**

---

|           |  |           |
|-----------|--|-----------|
| <b>7</b>  | <b>Electrical characteristics</b> .....        | <b>35</b> |
| 7.1       | Parameter conditions .....                     | 35        |
| 7.1.1     | Minimum and maximum values .....               | 35        |
| 7.1.2     | Typical values .....                           | 35        |
| 7.1.3     | Typical curves .....                           | 35        |
| 7.1.4     | Loading capacitor .....                        | 35        |
| 7.1.5     | Pin input voltage .....                        | 36        |
| 7.2       | Absolute maximum ratings .....                 | 36        |
| 7.3       | Operating conditions .....                     | 38        |
| 7.3.1     | I/O port pin characteristics .....             | 39        |
| 7.3.2     | Reset pin characteristics .....                | 44        |
| <b>8</b>  | <b>Package characteristics</b> .....           | <b>46</b> |
| 8.1       | Package mechanical data .....                  | 47        |
| 8.1.1     | LQFP package mechanical data .....             | 47        |
| 8.1.2     | QFN package mechanical data .....              | 50        |
| 8.1.3     | TSSOP package mechanical data .....            | 51        |
| <b>9</b>  | <b>Ordering information</b> .....              | <b>52</b> |
| <b>10</b> | <b>STM8 development tools</b> .....            | <b>53</b> |
| 10.1      | Emulation and in-circuit debugging tools ..... | 53        |
| 10.2      | Software tools .....                           | 54        |
| 10.2.1    | STM8 toolset .....                             | 54        |
| 10.2.2    | C and assembly toolchains .....                | 54        |
| 10.3      | Programming tools .....                        | 54        |
| <b>11</b> | <b>Revision history</b> .....                  | <b>55</b> |

## List of tables

|           |  |    |
|-----------|--|----|
| Table 1.  | Device summary . . . . .   | 1  |
| Table 2.  | STM8S103/105 access line features . . . . .                                      | 7  |
| Table 3.  | STM8 TIM timer feature comparison . . . . .                                      | 16 |
| Table 4.  | Legend/abbreviations . . . . .   | 25 |
| Table 5.  | Pin description for STM8S105 MCUs . . . . .                                      | 25 |
| Table 6.  | Pin description for STM8S103 MCUs . . . . .                                      | 28 |
| Table 7.  | Option bytes . . . . .   | 31 |
| Table 8.  | Option byte description . . . . .  | 32 |
| Table 9.  | STM8S103x alternate function remapping bits. . . . .                             | 34 |
| Table 10. | Voltage characteristics . . . . .  | 36 |
| Table 11. | Current characteristics . . . . .  | 37 |
| Table 12. | Thermal characteristics . . . . .  | 37 |
| Table 13. | General operating conditions . . . . .   | 38 |
| Table 14. | I/O static characteristics . . . . .   | 39 |
| Table 15. | Output driving current (standard ports) . . . . .                                | 41 |
| Table 16. | Output driving current (true open drain ports) . . . . .                         | 41 |
| Table 17. | Output driving current (high sink ports) . . . . .                               | 41 |
| Table 18. | NRST pin characteristics . . . . .   | 44 |
| Table 19. | 48-pin low profile quad flat package mechanical data . . . . .                   | 47 |
| Table 20. | 44-pin low profile quad flat package mechanical data . . . . .                   | 48 |
| Table 21. | 32-pin low profile quad flat package mechanical data . . . . .                   | 49 |
| Table 22. | 32-lead very thin fine pitch quad flat no-lead package mechanical data . . . . . | 50 |
| Table 23. | TSSOP 20-pin, 4.40 mm body, 0.65 mm pitch mechanical data . . . . .              | 51 |
| Table 24. | Document revision history . . . . .  | 55 |

## List of figures

|            |   |    |
|------------|---|----|
| Figure 1.  | STM8S105 access line block diagram                                    | 8  |
| Figure 2.  | STM8S103 access line block diagram                                    | 9  |
| Figure 3.  | Flash memory organization (STM8S105)                                  | 12 |
| Figure 4.  | Flash memory organisation (STM8S103)                                  | 13 |
| Figure 5.  | LQFP 48-pin pinout  | 21 |
| Figure 6.  | LQFP 44-pin pinout  | 22 |
| Figure 7.  | STM8S105 LQFP/VQFN 32-pin pinout                                      | 23 |
| Figure 8.  | STM8S103 LQFP/VQFN 32-pin pinout                                      | 24 |
| Figure 9.  | TSSOP20 pinout  | 24 |
| Figure 10. | Pin loading conditions  | 35 |
| Figure 11. | Pin input voltage   | 36 |
| Figure 12. | $f_{CPUmax}$ versus $V_{DD}$  | 38 |
| Figure 13. | Typical $V_{IL}$ and $V_{IH}$ vs $V_{DD}$ @ 4 temperatures            | 40 |
| Figure 14. | Typical pull-up resistance $R_{PU}$ vs $V_{DD}$ @ 4 temperatures      | 40 |
| Figure 15. | Typical pull-up current $I_{pu}$ vs $V_{DD}$ @ 4 temperatures         | 40 |
| Figure 16. | Typ. VOL @ $V_{DD} = 3.3$ V (standard ports)                          | 42 |
| Figure 17. | Typ. VOL @ $V_{DD} = 5.0$ V (standard ports)                          | 42 |
| Figure 18. | Typ. VOL @ $V_{DD} = 3.3$ V (true open drain ports)                   | 42 |
| Figure 19. | Typ. VOL @ $V_{DD} = 5.0$ V (true open drain ports)                   | 42 |
| Figure 20. | Typ. VOL @ $V_{DD} = 3.3$ V (high sink ports)                         | 42 |
| Figure 21. | Typ. VOL @ $V_{DD} = 5.0$ V (high sink ports)                         | 42 |
| Figure 22. | Typ. VDD - VOH @ $V_{DD} = 3.3$ V (standard ports)                    | 43 |
| Figure 23. | Typ. VDD - VOH @ $V_{DD} = 5.0$ V (standard ports)                    | 43 |
| Figure 24. | Typ. VDD - VOH @ $V_{DD} = 3.3$ V (high sink ports)                   | 43 |
| Figure 25. | Typ. VDD - VOH @ $V_{DD} = 5.0$ V (high sink ports)                   | 43 |
| Figure 26. | Typical NRST $V_{IL}$ and $V_{IH}$ vs $V_{DD}$ @ 4 temperatures       | 44 |
| Figure 27. | Typical NRST pull-up resistance $R_{PU}$ vs $V_{DD}$ @ 4 temperatures | 45 |
| Figure 28. | Typical NRST pull-up current $I_{pu}$ vs $V_{DD}$ @ 4 temperatures    | 45 |
| Figure 29. | Recommended reset pin protection                                      | 45 |
| Figure 30. | 48-pin low profile quad flat package (7 x 7)                          | 47 |
| Figure 31. | 44-pin low profile quad flat package (10 x 10)                        | 48 |
| Figure 32. | 32-pin low profile quad flat package (7 x 7)                          | 49 |
| Figure 33. | 32-lead very thin fine pitch quad flat no-lead package (5 x 5)        | 50 |
| Figure 34. | TSSOP 20-pin, 4.40 mm body, 0.65 mm pitch                             | 51 |
| Figure 35. | STM8S103/105 access line ordering information scheme                  | 52 |

# 1 Introduction

This datasheet contains the description of the STM8S103/105 access line features, pinout, electrical characteristics, mechanical data and ordering information.

- For complete information on the STM8S microcontroller memory, registers and peripherals, please refer to the STM8S microcontroller family reference manual (RM0016)
- For information on programming, erasing and protection of the internal Flash memory please refer to the STM8S Flash programming manual (PM0051)
- For information on the debug and SWIM (single wire interface module) refer to the STM8 SWIM communication protocol and debug module user manual (UM0470)
- For information on the STM8 core, please refer to the STM8 CPU programming manual (PM0044)

## 2 Description

The STM8S103/105 access line 8-bit microcontrollers offer from 8 Kbytes up to 32 Kbytes of program memory.

All devices of the STM8S103/105 access line provide the following benefits:

- Reduced system cost
  - High system integration level with internal clock oscillators, watchdog and brown-out reset
- Performance and robustness
  - 16 MHz CPU clock frequency
  - Robust I/O, independent watchdogs with separate clock source
  - Clock security system
- Short development cycles
  - Applications scalability across a common family product architecture with compatible pinout, memory map and modular peripherals.
  - Full documentation and a wide choice of development tools
- Product longevity
  - Advanced core and peripherals made in a state-of-the art technology
  - A family of products for applications with 3.0 V to 5.5 V operating supply

**Table 2. STM8S103/105 access line features**

| Device     | Pin count | No. of maximum GPIO (I/O) | Ext. Interrupt pins | Timer CAPCOM channels | Timer PWM channels | A/D Converter channels | Flash Program memory (bytes) | RAM (bytes) | Peripheral set  |  |
|------------|-----------|---------------------------|---------------------|-----------------------|--------------------|------------------------|------------------------------|-------------|---|--|
| STM8S105C6 | 48        | 38 <sup>(1)</sup>         | 37                  | 9                     | 12                 | 10                     | 32K                          | 2K          | LINUART + extended features (synchronous comm. smartcard mode, IrDA mode), PWM timer (TIM3) | Multipurpose timer (TIM1), PWM timer (TIM2), 8-bit timer (TIM4), SPI, I <sup>2</sup> C |
| STM8S105C4 | 48        | 38 <sup>(1)</sup>         | 37                  | 9                     | 12                 | 10                     | 16K                          | 2K          |   |  |
| STM8S105S6 | 44        | 34 <sup>(1)</sup>         | 31                  | 8                     | 11                 | 9                      | 32K                          | 2K          |   |  |
| STM8S105S4 | 44        | 34 <sup>(1)</sup>         | 31                  | 8                     | 11                 | 9                      | 16K                          | 2K          |   |  |
| STM8S105K6 | 32        | 25 <sup>(1)</sup>         | 23                  | 8                     | 11                 | 7                      | 32K                          | 2K          |   |  |
| STM8S105K4 | 32        | 25 <sup>(1)</sup>         | 23                  | 8                     | 11                 | 7                      | 16K                          | 2K          |   |  |
| STM8S103K3 | 32        | 28 <sup>(2)</sup>         | 28                  | 7                     | 10                 | 7                      | 8                            | 1K          | USART with full features (synchronous comm. smartcard mode, IrDA mode and single wire mode) | Window WDG, Independent WDG, ADC + extended features                                   |

1. 9 high sink outputs

2. 8 high sink outputs

### 3 Block diagram

Figure 1. STM8S105 access line block diagram

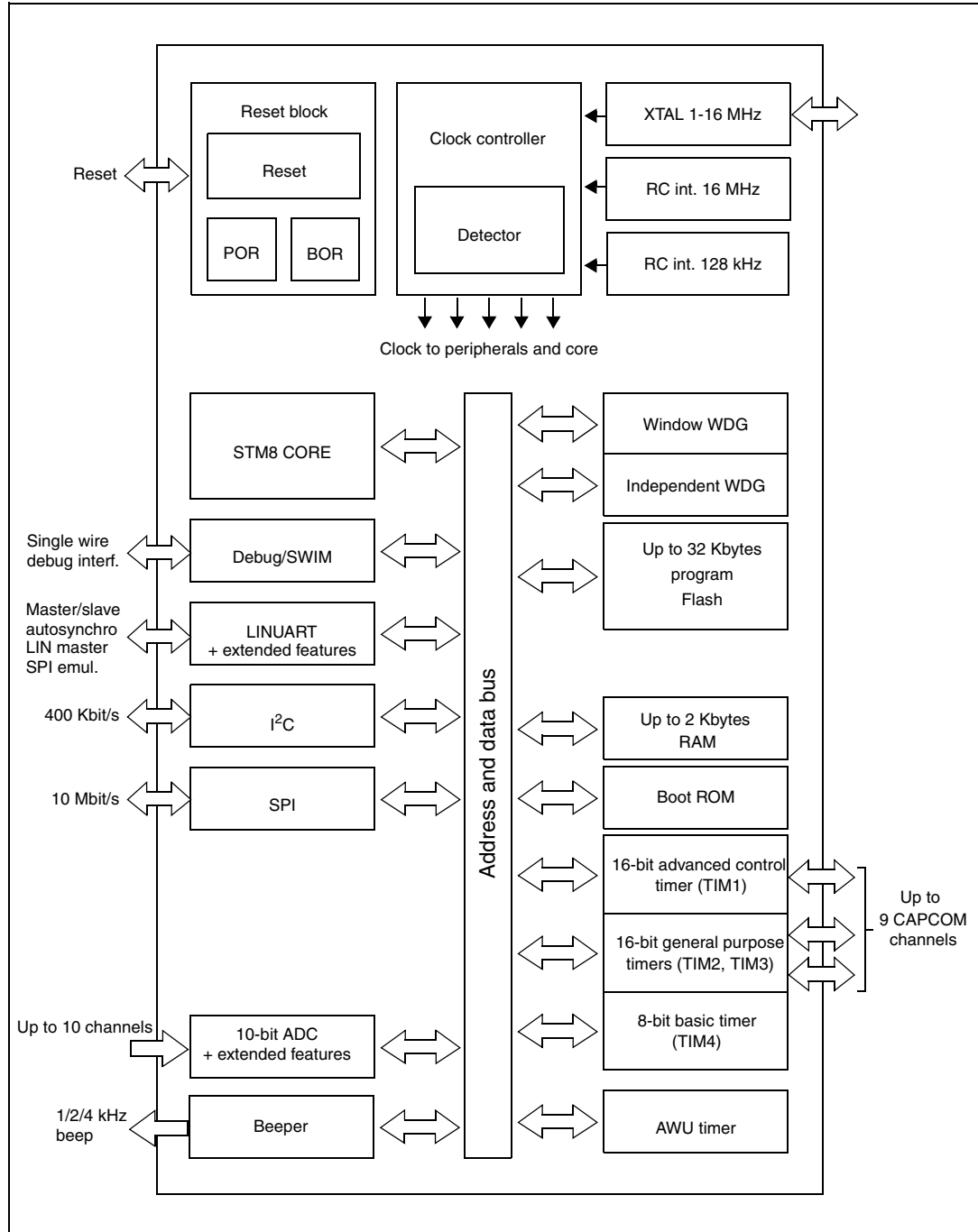
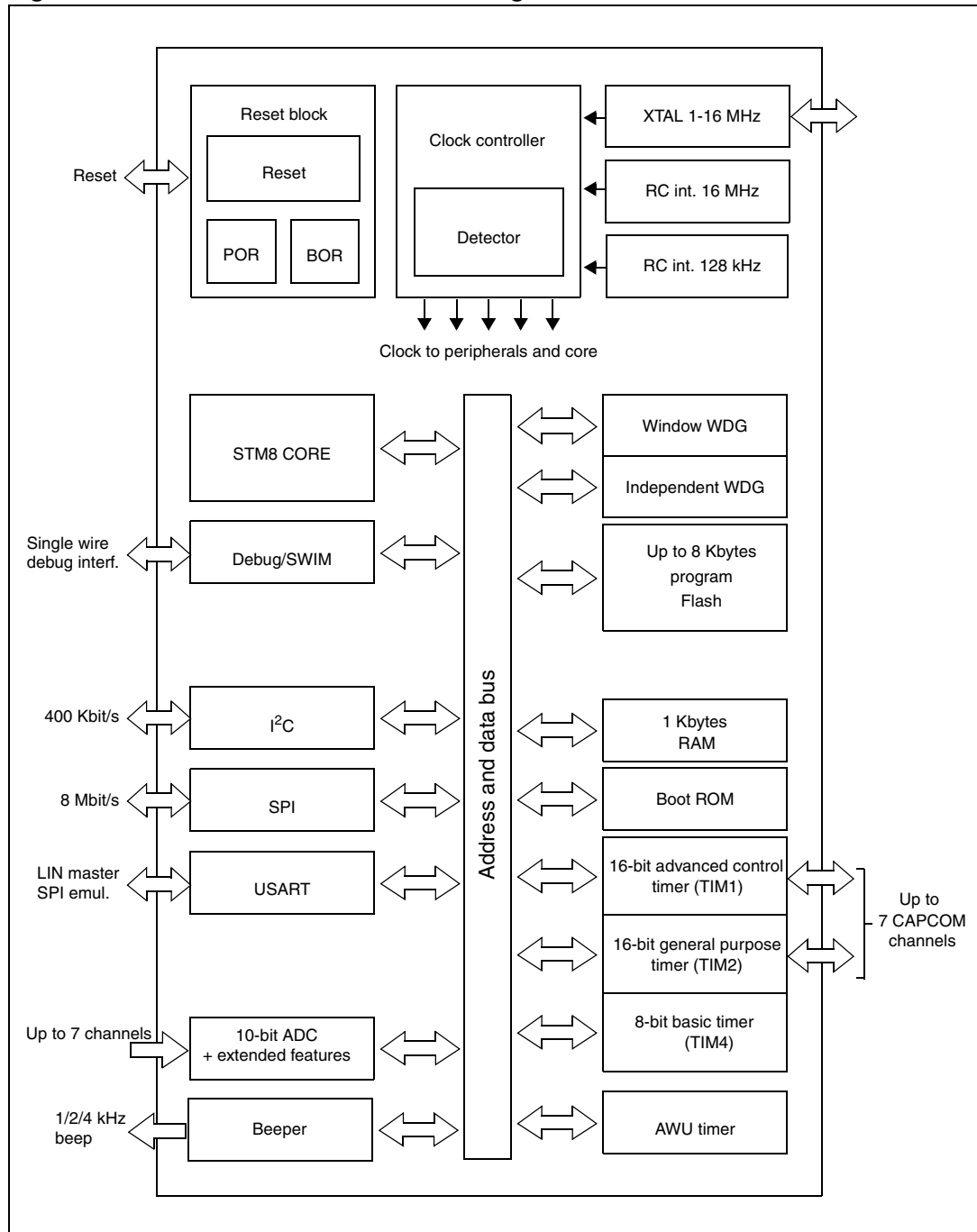




Figure 2. STM8S103 access line block diagram



## 4 Product overview

The following section intends to give an overview of the basic features of the STM8S103/105 access line functional modules and peripherals.

For more detailed information please refer to the corresponding family reference manual (RM0016).

### 4.1 Central processing unit STM8

The 8-bit STM8 core is designed for code efficiency and performance.

It contains 6 internal registers which are directly addressable in each execution context, 20 addressing modes including indexed indirect and relative addressing and 80 instructions.

#### Architecture and registers

- Harvard architecture
- 3-stage pipeline
- 32-bit wide program memory bus - single cycle fetching for most instructions
- X and Y 16-bit index registers - enabling indexed addressing modes with or without offset and read-modify-write type data manipulations
- 8-bit accumulator
- 24-bit program counter - 16-Mbyte linear memory space
- 16-bit stack pointer - access to a 64 K-level stack
- 8-bit condition code register - 7 condition flags for the result of the last instruction

#### Addressing

- 20 addressing modes
- Indexed indirect addressing mode for look-up tables located anywhere in the address space
- Stack pointer relative addressing mode for local variables and parameter passing

#### Instruction set

- 80 instructions with 2-byte average instruction size
- Standard data movement and logic/arithmetic functions
- 8-bit by 8-bit multiplication
- 16-bit by 8-bit and 16-bit by 16-bit division
- Bit manipulation
- Data transfer between stack and accumulator (push/pop) with direct stack access
- Data transfer using the X and Y registers or direct memory-to-memory transfers

## 4.2 Single wire interface module (SWIM) and debug module (DM)

The single wire interface module and debug module and permit non-intrusive, real-time in-circuit debugging and fast memory programming.

### SWIM

Single wire interface module for direct access to the debug module and memory programming. The interface can be activated in all device operation modes. The maximum data transmission speed is 145 bytes/ms.

### Debug module

The non-intrusive debugging module features a performance close to a full-featured emulator. Beside memory and peripherals, also CPU operation can be monitored in real-time by means of shadow registers.

- R/W to RAM and peripheral registers in real-time
- R/W access to all resources by stalling the CPU
- Breakpoints on all program-memory instructions (software breakpoints)
- 2 advanced breakpoints, 23 predefined configurations

## 4.3 Interrupt controller

- Nested interrupts with 3 software priority levels
- 32 interrupt vectors with hardware priority
- Up to 37 external interrupts on 6 vectors including TLI
- Trap and reset interrupts

## 4.4 Flash program memory

- Up to 32 Kbytes of program single voltage Flash memory
- User option byte area

### Write protection (WP)

Write protection of Flash is provided to avoid unintentional overwriting of memory that could result from a user software malfunction.

There are two levels of write protection. The first level is known as MASS (Memory Access Security System). MASS is always enabled and protects the main Flash program memory and option bytes.

To perform In-Application Programming (IAP), this write protection can be removed by writing a MASS key sequence in a control register. This allows the application to modify the contents of main program memory or the device option bytes.

A second level of write protection, can be enabled to further protect a specific area of memory known as UBC (user boot code). Refer to [Figure 3](#).

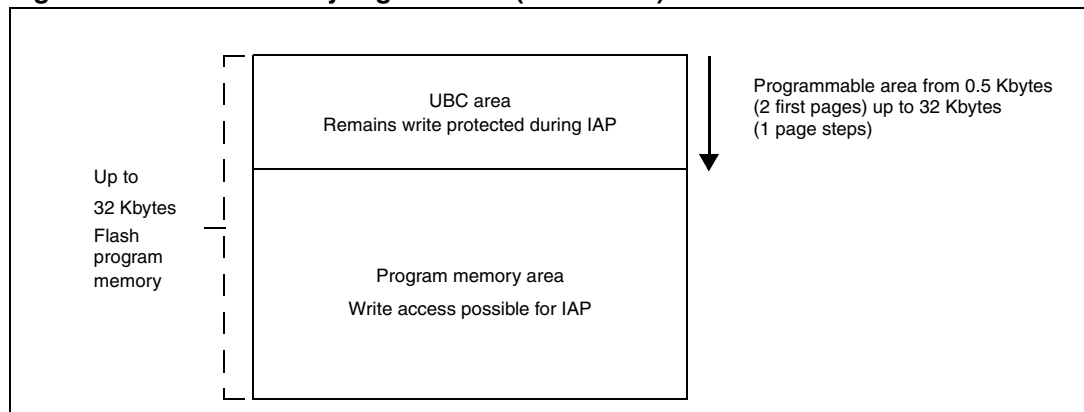
The size of the UBC is programmable through the UBC option byte ([Table 8](#)), in increments of 1 page, by programming the UBC option byte in ICP mode.

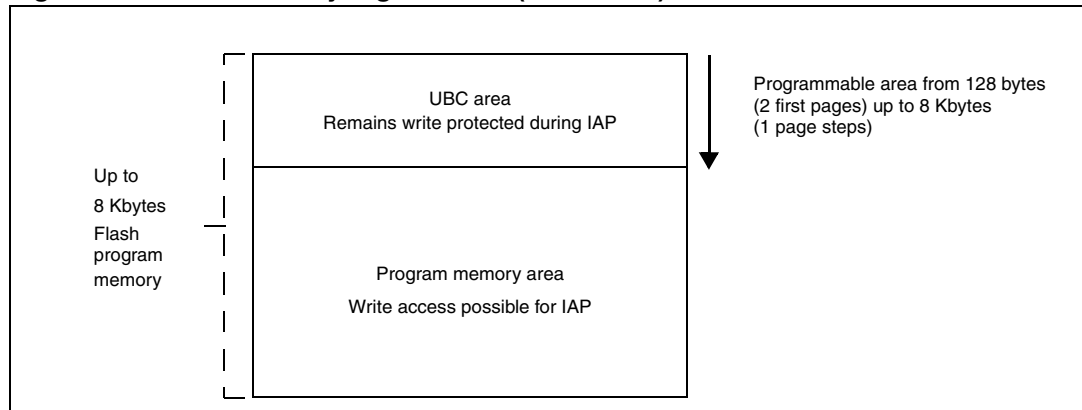
This divides the program memory into two areas:

- Main program memory: Up to 32 Kbytes minus UBC
- User-specific boot code (UBC): Configurable up to 32 Kbytes

The UBC area remains write-protected during in-application programming. This means that the MASS keys do not unlock the UBC area. It protects the memory used to store the boot program, specific code libraries, reset and interrupt vectors, the reset routine and usually the IAP and communication routines.

**Figure 3. Flash memory organization (STM8S105)**



**Figure 4. Flash memory organisation (STM8S103)****Read-out protection (ROP)**

The read-out protection blocks reading and writing the Flash program memory in debug mode. Once the read-out protection is activated, any attempt to toggle its status triggers a global erase of the program and data memory. Even if no protection can be considered as totally unbreakable, the feature provides a very high level of protection for a general purpose microcontroller.

**4.5 Clock controller**

The clock controller distributes the system clock ( $f_{\text{MASTER}}$ ) coming from different oscillators to the core and the peripherals. It also manages clock gating for low power modes and ensures clock robustness.

**Features**

- **Clock prescaler:** to get the best compromise between speed and current consumption the clock frequency to the CPU and peripherals can be adjusted by a programmable prescaler
- **Safe clock switching:** Clock sources can be changed safely on the fly in run mode through a configuration register. The clock signal is not switched until the new clock source is ready. The design guarantees glitch-free switching.
- **Clock management:** To reduce power consumption, the clock controller can stop the clock to the core, individual peripherals or memory.
- **Master clock sources:** 4 different clock sources can be used to drive the master clock:
  - 1-16 MHz High Speed External crystal (HSE)
  - Up to 16 MHz High Speed user-external clock (HSE user-ext)
  - 16 MHz High Speed Internal RC oscillator (HSI)
  - 128 kHz Low Speed Internal RC (LSI)
- **Startup clock:** After reset, the microcontroller restarts by default with an internal 2 MHz clock (HSI/8). The prescaler ratio and clock source can be changed by the application program as soon as the code execution starts.
- **Clock security system (CSS):** This feature can be enabled by software. If an HSE clock failure occurs, the internal RC (16 MHz/8) is automatically selected by the CSS

and an interrupt can optionally be generated.

- **Configurable main clock output (CCO):** This outputs an external clock for use by the application. Available frequencies are 8 MHz, 4 MHz or 1 MHz.

## 4.6 Power management

For efficient power management, the application can be put in one of four different low-power modes. You can configure each mode to obtain the best compromise between lowest power consumption, fastest start-up time and available wakeup sources.

- **Wait mode:** in this mode, the CPU is stopped, but peripherals are kept running. The wake-up is performed by an internal or external interrupt or reset.
- **Fast active halt mode:** in this mode, the CPU and peripheral clocks are stopped. An internal wake-up is generated at programmable intervals by the auto wake up unit (AWU). The main voltage regulator is kept powered on, so current consumption is more than in slow active halt mode, but the wake-up time is faster. Wake-up is triggered by the internal AWU interrupt, external interrupt or reset.
- **Slow active halt mode:** this mode is the same as fast active halt except that the main voltage regulator is powered off, so the wake up time is slower.
- **Halt mode:** in this mode the microcontroller uses the least power, CPU and peripheral clocks are stopped, the main voltage regulator is powered off. Wake-up is triggered by external interrupt or reset.

## 4.7 Watchdog timers

The watchdog system is based on two independent timers providing maximum security to the applications.

The WDG timer activity is controlled by option bytes. Once activated the watchdog can not be disabled by the user program without reset.

### Window watchdog timer

The window watchdog is used to detect the occurrence of a software fault, usually generated by external interferences or by unexpected logical conditions, which cause the application program to abandon its normal sequence.

The window function can be used to trim the watchdog behavior to match the application perfectly.

The application software must refresh the counter before time-out and during a limited time window.

A reset is generated in two situations:

1. **Timeout:** At 16 MHz CPU clock the time-out period can be adjusted between 75  $\mu$ s up to 64 ms.
2. **Refresh out of window:** The downcounter is refreshed before its value is lower than the one stored in the window register.

### Independent watchdog timer

The independent watchdog peripheral can be used to resolve processor malfunctions due to hardware or software failures.

It is clocked by the 128 kHz LSI internal RC clock source, and thus stays active even in case of a CPU clock failure

The IWDG time base spans from 60  $\mu$ s to 1 s.

## 4.8 Auto wake-up counter

- Used for auto wake-up from active halt mode
- Clock source: internal 128 kHz internal low frequency RC oscillator or external clock

## 4.9 Beeper

The beeper function outputs a signal on the BEEP pin for sound generation. The signal is in the range of 1, 2 or 4 kHz.

## 4.10 TIM1 - 16-bit advanced control timer

This is a high-end timer designed for a wide range of control applications. With its complementary outputs, dead-time control and center-aligned PWM capability, the field of applications is extended to motor control, lighting and half-bridge driver.

- 16-bit up, down and up/down autoreload counter with 16-bit prescaler
- 4 independent capture/compare channels (CAPCOM) configurable as input capture, output compare, PWM generation (edge and center aligned mode) and single pulse mode output
- Synchronization module to control the timer with external signal
- Break input to force the timer outputs into a defined state
- 3 complementary outputs with adjustable dead time
- Encoder mode
- Interrupt sources: x input capture/output compare, 1 x overflow/update, 1 x break

## 4.11 TIM2- 16-bit general purpose timer

- 16-bit autoreload (AR) up-counter
- 15-bit prescaler adjustable to fixed power of 2 ratios 1...32768
- Timers with 3 or 2 individually configurable capture/compare channels
- PWM mode
- Interrupt sources: 2 or 3 x input capture/output compare, 1 x overflow/update

## 4.12 TIM4 - 8-bit basic timer

- 8-bit autoreload, adjustable prescaler ratio to any power of 2 from 1 to 128
- Clock source: CPU clock
- Interrupt source: 1 x overflow/update

Table 3. STM8 TIM timer feature comparison

| Timer | Counter size (bits) | Prescaler                      | Counting mode | CAPCOM channels | Complem. outputs | Ext. trigger | Timer synchronization/chaining |
|-------|---------------------|--------------------------------|---------------|-----------------|------------------|--------------|--------------------------------|
| TIM1  | 16                  | Any integer from 1 to 65536    | Up/down       | 4               | 3                | Yes          | Yes                            |
| TIM2  | 16                  | Any power of 2 from 1 to 32768 | Up            | 3               | 0                | No           |                                |
| TIM3  | 16                  | Any power of 2 from 1 to 32768 | Up            | 2               | 0                | No           |                                |
| TIM4  | 8                   | Any power of 2 from 1 to 128   | Up            | 0               | 0                | No           |                                |



## 4.13 Analog/digital converter (ADC)

- STM8S103/105 access line products contain a 10-bit successive approximation A/D converter with up to 10 multiplexed input channels and the following general features:
  - Input voltage range: 0 to  $V_{DDA}$
  - Dedicated voltage reference (VREF) pins available on 80 and 64-pin devices
  - Conversion time: 14 clock cycles
  - Single and continuous conversion modes
  - External trigger input
  - Trigger from TIM1 TRGO (STM8S105) or TIM2 TRGO (STM8S103)
  - End of conversion (EOC) interrupt

### ADC extended features

- STM8S103/105 access line products contain a 10-bit successive approximation A/D converter with the following features:
  - Up to 10 (STM8S105x) or 7 (STM8S103x) multiplexed input channels
  - Single, continuous and buffered continuous conversion on a selected channel
  - Scan mode for single and continuous conversion of a sequence of channels
  - Analog watchdog capability with programmable upper and lower thresholds
  - Internal reference voltage on channel AIN7 (STM8S103 only)
  - Analog watchdog interrupt

## 4.14 Communication interfaces

The following communication interfaces are implemented:

- USART:
  - STM8S105: no USART
  - STM8S103: full feature UART, single wire mode, LIN2.1 master capability
- LINUART:
  - STM8S105: LIN2.1 master/slave capability, full feature UART, synchronous mode, SPI master mode, Smartcard mode, IrDA mode
  - STM8S103: No LINUART
- SPI - full and half-duplex, 8 Mbit/s
- I<sup>2</sup>C - up to 400 Kbit/s

### 4.14.1 USART

#### Main features

- 1 Mbit/s full duplex SCI
- LIN master capable
- SPI emulation
- High precision baud rate generator
- Smartcard emulation
- IrDA SIR encoder decoder
- Single wire half duplex mode

#### Asynchronous communication (UART mode)

- Full duplex communication - NRZ standard format (mark/space)
- Programmable transmit and receive baud rates up to 1 Mbit/s ( $f_{CPU}/16$ ) and capable of following any standard baud rate regardless of the input frequency
- Separate enable bits for transmitter and receiver
- 2 receiver wakeup modes:
  - Address bit (MSB)
  - Idle line (interrupt)
- Transmission error detection with interrupt generation
- Parity control

#### LIN master capability

- Emission: Generates 13-bit synch break frame
- Reception: Detects 11-bit break frame

#### Synchronous communication

- Full duplex synchronous transfers
- SPI master operation
- 8-bit data communication
- Max. speed: 1 Mbit/s at 16 MHz ( $f_{CPU}/16$ )

### 4.14.2 LINUART

#### Main features

- LIN master/slave rev. 2.1 compliant
- Auto-synchronization in LIN slave mode
- High precision baud rate generator
- 1 Mbit full duplex SCI

#### LIN master

- Emission: Generates 13-bit synch break frame
- Reception: Detects 11-bit break frame

**LIN slave**

- Autonomous header handling - one single interrupt per valid message header
- Automatic baud rate synchronization - maximum tolerated initial clock deviation  $\pm 15\%$
- Synch delimiter checking
- 11-bit LIN synch break detection - break detection always active
- Parity check on the LIN identifier field
- LIN error management
- Hot plugging support

**Asynchronous communication (UART mode)**

- Full duplex, asynchronous communications - NRZ standard format (mark/space)
- Independently programmable transmit and receive baud rates up to 500 Kbit/s
- Programmable data word length (8 or 9 bits)
- Low-power standby mode - 2 receiver wake-up modes:
  - Address bit (MSB)
  - Idle line
- Muting function for multiprocessor configurations
- Overrun, noise and frame error detection
- 6 interrupt sources
- Tx, Rx parity control

*Note:* In STM8S105, the LINUART also supports IrDA mode, Smartcard mode and synchronous communication (SPI master mode).

**4.14.3 SPI**

- Maximum speed: 8 Mbit/s ( $f_{\text{MASTER}}/2$ ) both for master and slave
- Full duplex synchronous transfers
- Simplex synchronous transfers on 2 lines with a possible bidirectional data line
- Master or slave operation - selectable by hardware or software
- CRC calculation
- 1 byte Tx and Rx buffer
- Slave/master selection input pin

#### 4.14.4 I<sup>2</sup>C

- I<sup>2</sup>C master features:
  - Clock generation
  - Start and stop generation
- I<sup>2</sup>C slave features:
  - Programmable I<sup>2</sup>C address detection
  - Stop bit detection
- Generation and detection of 7-bit/10-bit addressing and general call
- Supports different communication speeds:
  - Standard speed (up to 100 kHz),
  - Fast speed (up to 400 kHz)

# 5 Pinouts and pin description

## 5.1 Package pinouts

Figure 5. LQFP 48-pin pinout

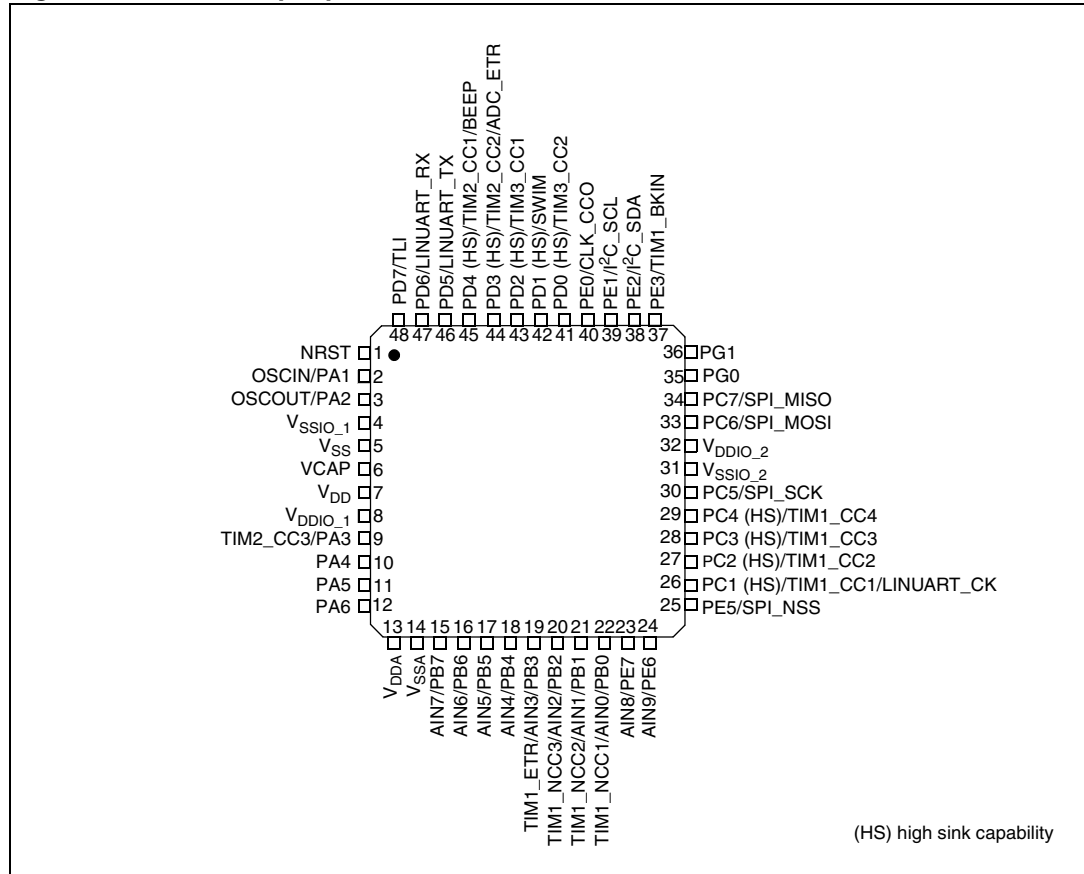


Figure 6. LQFP 44-pin pinout

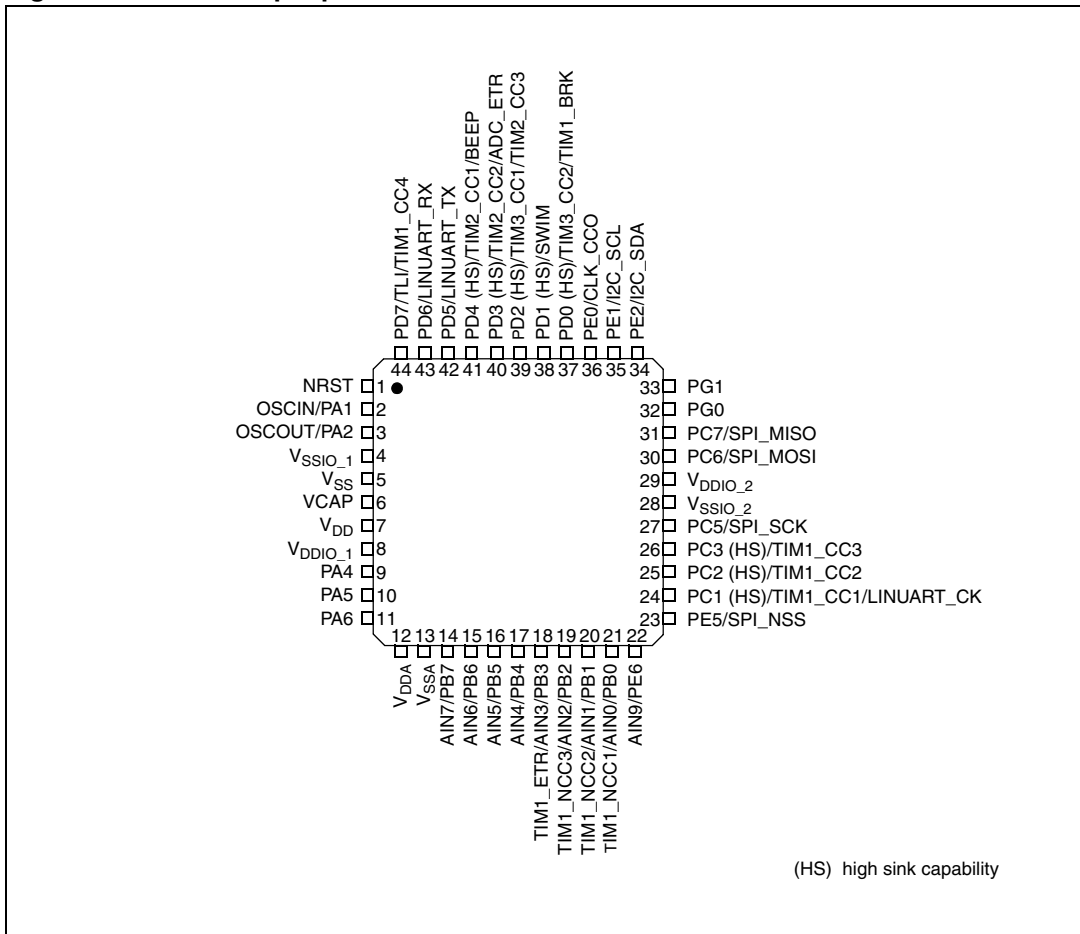


Figure 7. STM8S105 LQFP/VQFN 32-pin pinout

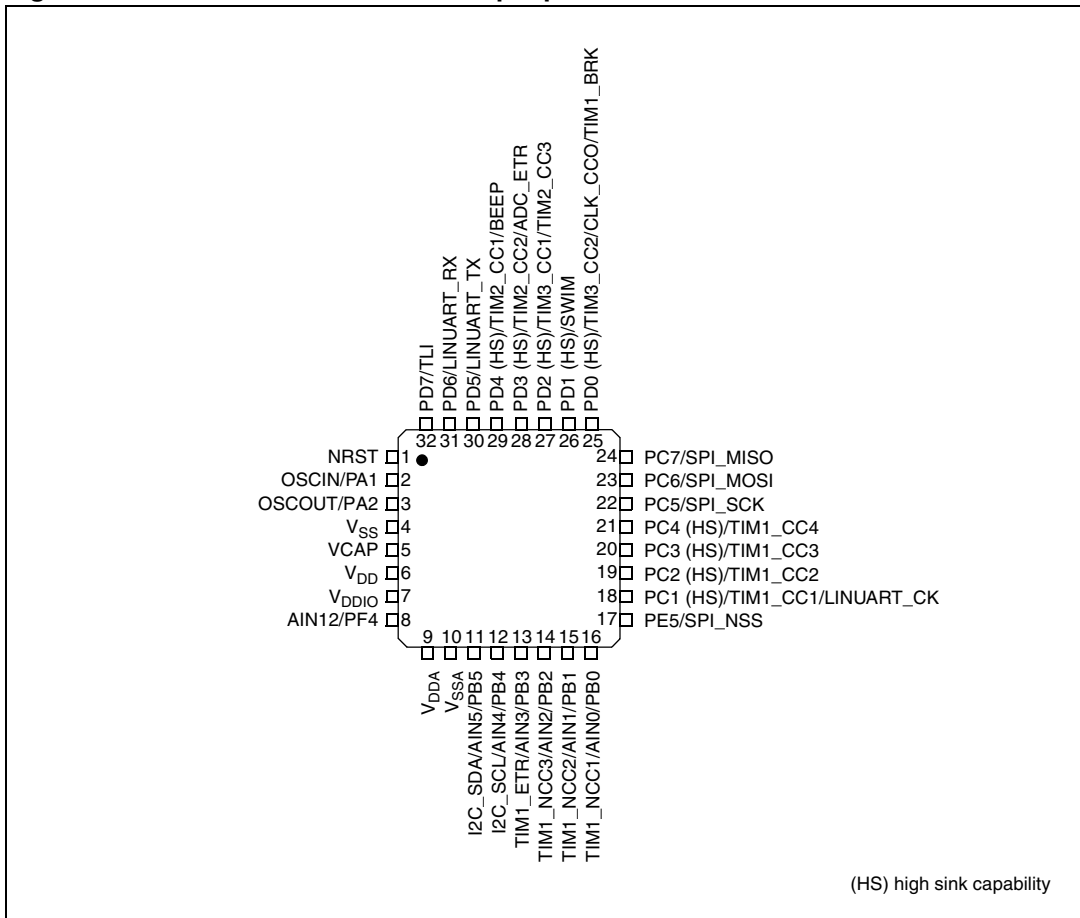


Figure 8. STM8S103 LQFP/VQFN 32-pin pinout

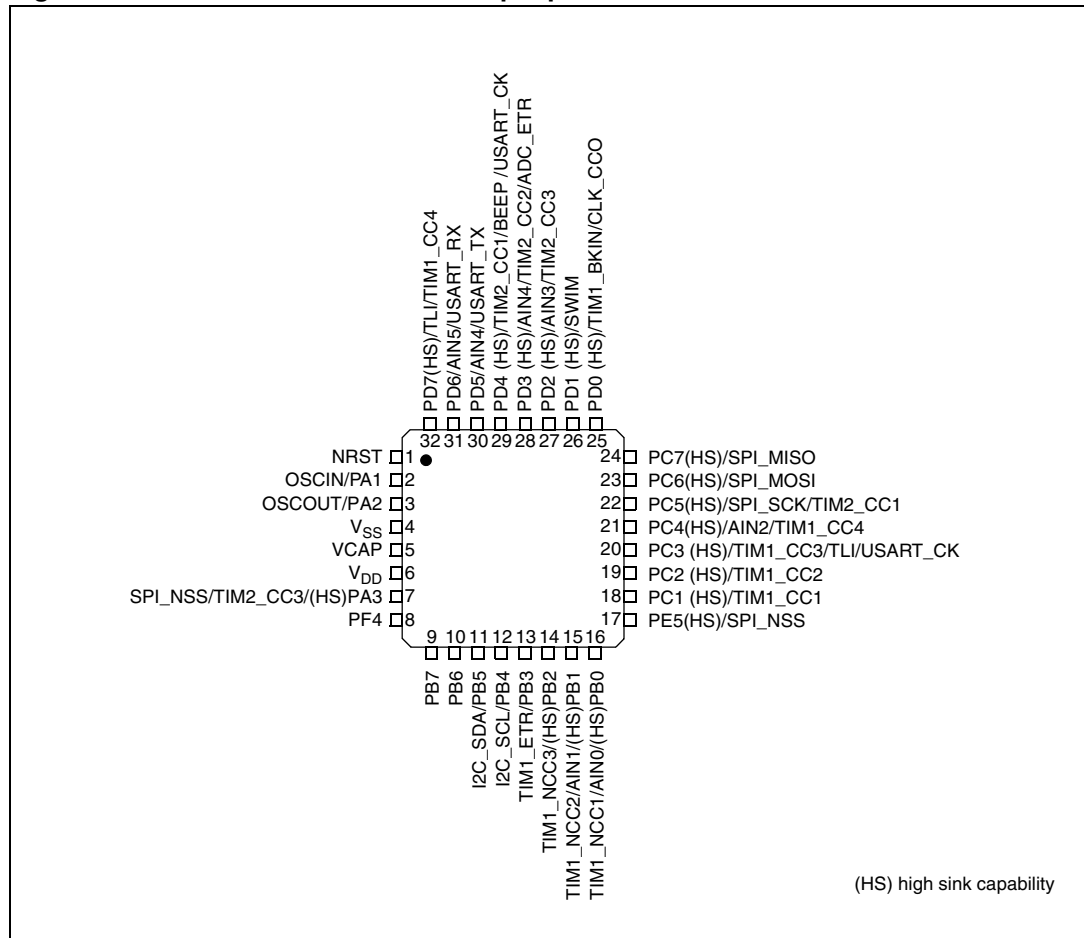
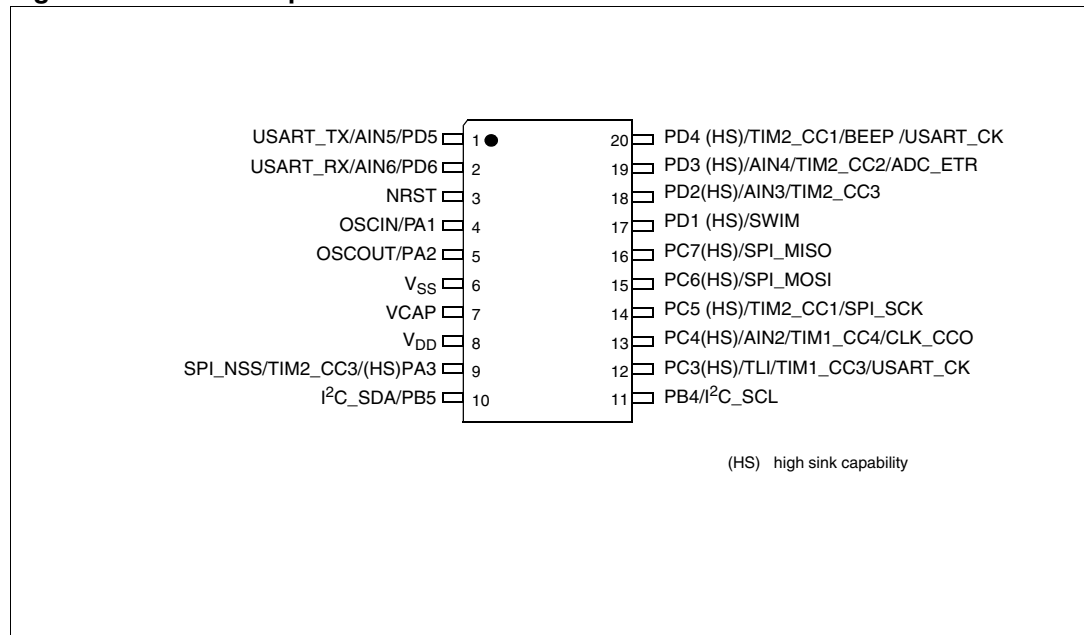


Figure 9. TSSOP20 pinout





## 5.2 Pin description

**Table 4. Legend/abbreviations**

|                                       |   |  |
|---------------------------------------|---|--|
| <b>Type</b>                           | I= input, O = output, S = power supply  |  |
| <b>Level</b>                          | Input   | CM = CMOS  |
|                                       | Output  | HS = High sink                                       |
| <b>Output speed</b>                   | O1 = Slow (up to 2 MHz)<br>O2 = Fast (up to 10 MHz)<br>O3 = Fast/slow programmability with slow as default state after reset<br>O4 = Fast/slow programmability with fast as default state after reset |  |
| <b>Port and control configuration</b> | Input   | float = floating, wpu = weak pull-up                 |
|                                       | Output  | T = true open drain, OD = open drain, PP = push pull |

Reset state is shown in **bold**.

**Table 5. Pin description for STM8S105 MCUs**

| Pin number |        |        | Pin name            | Type | Input    |     |                | Output    |       |    |                | Main function (after reset) | Default alternate function | Alternate function after remap [option bit] |
|------------|--------|--------|---------------------|------|----------|-----|----------------|-----------|-------|----|----------------|-----------------------------|----------------------------|---|
| LQFP48     | LQFP44 | LQFP32 |                     |      | floating | wpu | Ext. interrupt | High sink | Speed | OD | PP             |                             |                            |   |
| 1          | 1      | 1      | NRST                | I/O  |          | X   |                |           |       |    |                | Reset                       |                            |   |
| 2          | 2      | 2      | PA1/OSCIN           | I/O  | X        | X   |                | O1        | X     | X  | <b>Port A1</b> | Resonator/ crystal in       |                            |   |
| 3          | 3      | 3      | PA2/OSCOOUT         | I/O  | X        | X   | X              | O1        | X     | X  | <b>Port A2</b> | Resonator/ crystal out      |                            |   |
| 4          | 4      | -      | V <sub>SSIO_1</sub> | S    |          |     |                |           |       |    |                | I/O ground                  |                            |   |
| 5          | 5      | 4      | V <sub>SS</sub>     | S    |          |     |                |           |       |    |                | Digital ground              |                            |   |
| 6          | 6      | 5      | VCAP                | S    |          |     |                |           |       |    |                | 1.8 V regulator capacitor   |                            |   |
| 7          | 7      | 6      | V <sub>DD</sub>     | S    |          |     |                |           |       |    |                | Digital power supply        |                            |   |
| 8          | 8      | 7      | V <sub>DDIO_1</sub> | S    |          |     |                |           |       |    |                | I/O power supply            |                            |   |
| -          | -      | 8      | PF4/AIN12           | I/O  | X        | X   |                | O1        | X     | X  | <b>Port F4</b> | Analog input 12             |                            |   |
| 9          | -      | -      | PA3/TIM2_CC3        | I/O  | X        | X   | X              | O1        | X     | X  | <b>Port A3</b> | Timer 2 - channel3          | TIM3_CC1 [AFR1]            |   |
| 10         | 9      | -      | PA4                 | I/O  | X        | X   | X              | O3        | X     | X  | <b>Port A4</b> |                             |                            |   |
| 11         | 10     | -      | PA5                 | I/O  | X        | X   | X              | O3        | X     | X  | <b>Port A5</b> |                             |                            |   |
| 12         | 11     | -      | PA6                 | I/O  | X        | X   | X              | O3        | X     | X  | <b>Port A6</b> |                             |                            |   |
| 13         | 12     | 9      | V <sub>DDA</sub>    | S    |          |     |                |           |       |    |                | Analog power supply         |                            |   |
| 14         | 13     | 10     | V <sub>SSA</sub>    | S    |          |     |                |           |       |    |                | Analog ground               |                            |   |
| 15         | 14     | -      | PB7/AIN7            | I/O  | X        | X   | X              | O1        | X     | X  | <b>Port B7</b> | Analog input 7              |                            |   |

Table 5. Pin description for STM8S105 MCUs (continued)

| Pin number |        |        | Pin name                    | Type | Input    |     |                | Output    |       |                  |    | Main function (after reset) | Default alternate function                      | Alternate function after remap [option bit] |
|------------|--------|--------|-----------------------------|------|----------|-----|----------------|-----------|-------|------------------|----|-----------------------------|---|---|
| LQFP48     | LQFP44 | LQFP32 |                             |      | floating | wpu | Ext. interrupt | High sink | Speed | OD               | PP |                             |   |   |
| 16         | 15     | -      | PB6/AIN6                    | I/O  | X        | X   | X              |           | O1    | X                | X  | Port B6                     | Analog input 6                                  |   |
| 17         | 16     | 11     | PB5/AIN5                    | I/O  | X        | X   | X              |           | O1    | X                | X  | Port B5                     | Analog input 5                                  | I <sup>2</sup> C_SDA [AFR6]                 |
| 18         | 17     | 12     | PB4/AIN4                    | I/O  | X        | X   | X              |           | O1    | X                | X  | Port B4                     | Analog input 4                                  | I <sup>2</sup> C_SCL [AFR6]                 |
| 19         | 18     | 13     | PB3/AIN3                    | I/O  | X        | X   | X              |           | O1    | X                | X  | Port B3                     | Analog input 3                                  | TIM1_ETR [AFR5]                             |
| 20         | 19     | 14     | PB2/AIN2                    | I/O  | X        | X   | X              |           | O1    | X                | X  | Port B2                     | Analog input                                    | TIM1_NCC3 [AFR5]                            |
| 21         | 20     | 15     | PB1/AIN1                    | I/O  | X        | X   | X              |           | O1    | X                | X  | Port B1                     | Analog input 1                                  | TIM1_NCC2 [AFR5]                            |
| 22         | 21     | 16     | PB0/AIN0                    | I/O  | X        | X   | X              |           | O1    | X                | X  | Port B0                     | Analog input 0                                  | TIM1_NCC1 [AFR5]                            |
| 23         | -      | -      | PE7/AIN8                    | I/O  | X        | X   | X              |           | O1    | X                | X  | Port E7                     | Analog input 8                                  |   |
| 24         | 22     |        | PE6/AIN9                    | I/O  | X        | X   | X              |           | O1    | X                | X  | Port E7                     | Analog input 9                                  |   |
| 25         | 23     | 17     | PE5/SPI_NSS                 | I/O  | X        | X   | X              |           | O1    | X                | X  | Port E5                     | SPI master/slave select                         |   |
| 26         | 24     | 18     | PC1/TIM1_CC1/<br>LINUART_CK | I/O  | X        | X   | X              | HS        | O3    | X                | X  | Port C1                     | Timer 1 - channel 1 / LINUART synchronous clock |   |
| 27         | 25     | 19     | PC2/TIM1_CC2                | I/O  | X        | X   | X              | HS        | O3    | X                | X  | Port C2                     | Timer 1 - channel 2                             |   |
| 28         | 26     | 20     | PC3/TIM1_CC3                | I/O  | X        | X   | X              | HS        | O3    | X                | X  | Port C3                     | Timer 1 - channel 3                             |   |
| 29         | -      | 21     | PC4/TIM1_CC4                | I/O  | X        | X   | X              | HS        | O3    | X                | X  | Port C4                     | Timer 1 - channel 4                             |   |
| 30         | 27     | 22     | PC5/SPI_SCK                 | I/O  | X        | X   | X              |           | O3    | X                | X  | Port C5                     | SPI clock                                       |   |
| 31         | 28     | -      | V <sub>SSIO_2</sub>         | S    |          |     |                |           |       |                  |    |                             | I/O ground                                      |   |
| 32         | 29     | -      | V <sub>DDIO_2</sub>         | S    |          |     |                |           |       |                  |    |                             | I/O power supply                                |   |
| 33         | 30     | 23     | PC6/SPI_MOSI                | I/O  | X        | X   | X              |           | O3    | X                | X  | Port C6                     | SPI master out/<br>slave in                     |   |
| 34         | 31     | 24     | PC7/SPI_MISO                | I/O  | X        | X   | X              |           | O3    | X                | X  | Port C7                     | SPI master in/<br>slave out                     |   |
| 35         | 32     | -      | PG0                         | I/O  | X        | X   |                |           | O1    | X                | X  | Port G0                     |   |   |
| 36         | 33     | -      | PG1                         | I/O  | X        | X   |                |           | O1    | X                | X  | Port G1                     |   |   |
| 37         | -      | -      | PE3/TIM1_BKIN               | I/O  | X        | X   | X              |           | O1    | X                | X  | Port E3                     | Timer 1 - break input                           |   |
| 38         | 34     | -      | PE2/I <sup>2</sup> C_SDA    | I/O  | X        | X   | X              |           | O1    | T <sup>(1)</sup> | X  | Port E2                     | I <sup>2</sup> C data                           |   |

Table 5. Pin description for STM8S105 MCUs (continued)

| Pin number |        |        | Pin name                 | Type | Input    |     |                | Output    |       |                  |    | Main function (after reset) | Default alternate function | Alternate function after remap [option bit] |
|------------|--------|--------|--------------------------|------|----------|-----|----------------|-----------|-------|------------------|----|-----------------------------|----------------------------|---|
| LQFP48     | LQFP44 | LQFP32 |                          |      | floating | wpu | Ext. interrupt | High sink | Speed | OD               | PP |                             |                            |   |
| 39         | 35     | -      | PE1/I <sup>2</sup> C_SCL | I/O  | X        | X   | X              |           | O1    | T <sup>(1)</sup> | X  | Port E1                     | I <sup>2</sup> C clock     |   |
| 40         | 36     | -      | PE0/CLK_CCO              | I/O  | X        | X   | X              |           | O3    | X                | X  | Port E0                     | Configurable clock output  |   |
| 41         | 37     | 25     | PD0/TIM3_CC2             | I/O  | X        | X   | X              | HS        | O3    | X                | X  | Port D0                     | Timer 3 - channel 2        | TIM1_BKIN [AFR3]/CLK_CCO [AFR2]             |
| 42         | 38     | 26     | PD1/SWIM                 | I/O  | X        | X   | X              | HS        | O4    | X                | X  | Port D1                     | SWIM data interface        |   |
| 43         | 39     | 27     | PD2/TIM3_CC1             | I/O  | X        | X   | X              | HS        | O3    | X                | X  | Port D2                     | Timer 3 - channel 1        | TIM2_CC3 [AFR1]                             |
| 44         | 40     | 28     | PD3/TIM2_CC2             | I/O  | X        | X   | X              | HS        | O3    | X                | X  | Port D3                     | Timer 2 - channel 2        | ADC_ETR [AFR0]                              |
| 45         | 41     | 29     | PD4/TIM2_CC1/BEEP        | I/O  | X        | X   | X              | HS        | O3    | X                | X  | Port D4                     | Timer 2 - channel 1        | BEEP output [AFR7]                          |
| 46         | 42     | 30     | PD5/ LINUART_TX          | I/O  | X        | X   | X              |           | O1    | X                | X  | Port D5                     | LINUART data transmit      |   |
| 47         | 43     | 31     | PD6/ LINUART_RX          | I/O  | X        | X   | X              |           | O1    | X                | X  | Port D6                     | LINUART data receive       |   |
| 48         | 44     | 32     | PD7/TLI                  | I/O  | X        | X   | X              |           | O1    | X                | X  | Port D7                     | Top level interrupt        | TIM1_CC4 [AFR4]                             |

1. In the open-drain output column, 'T' defines a true open-drain I/O (P-buffer and protection diode to V<sub>DD</sub> are not implemented)

Table 6. Pin description for STM8S103 MCUs

| Pin number  |         | Pin name                  | Type | Input    |     |                | Output    |       |                  |    | Main function (after reset) | Default alternate function                  | Alternate function after remap [option bit] |
|-------------|---------|---------------------------|------|----------|-----|----------------|-----------|-------|------------------|----|-----------------------------|---|---|
| VQFN/LQFP32 | TSSOP20 |                           |      | floating | wpu | Ext. interrupt | High sink | Speed | OD               | PP |                             |   |   |
|             |         |                           |      |          |     |                |           |       |                  |    |                             |   |   |
| 1           | 3       | NRST                      | I/O  |          | X   |                |           |       |                  |    | Reset                       |   |   |
| 2           | 4       | PA1/OSCIN                 | I/O  | X        | X   | X              |           | O1    | X                | X  | Port A1                     | Resonator/crystal in                        |   |
| 3           | 5       | PA2/OSCOOUT               | I/O  | X        | X   | X              |           | O1    | X                | X  | Port A2                     | Resonator/crystal out                       |   |
| 4           | 6       | V <sub>SS</sub>           | S    |          |     |                |           |       |                  |    |                             | Digital ground                              |   |
| 5           | 7       | VCAP                      | S    |          |     |                |           |       |                  |    |                             | 1.8 V regulator capacitor                   |   |
| 6           | 8       | V <sub>DD</sub>           | S    |          |     |                |           |       |                  |    |                             | Digital power supply                        |   |
| 7           | 9       | PA3/TIM2_CC3/SPI_NSS      | I/O  | X        | X   | X              | HS        | O3    | X                | X  | Port A3                     | Timer 2 channel 3                           | SPI master/slave select                     |
| 8           | -       | PF4                       | I/O  | X        | X   | X              |           | O1    | X                | X  | Port F4                     |   |   |
| 9           | -       | PB7                       | I/O  | X        | X   | X              |           | O1    | X                | X  | Port B7                     |   |   |
| 10          | -       | PB6                       | I/O  | X        | X   | X              |           | O1    | X                | X  | Port B6                     |   |   |
| 11          | 10      | PB5/I2C_SDA               | I/O  | X        | X   | X              |           | O1    | T <sup>(1)</sup> | X  | Port B5                     | I <sup>2</sup> C data                       |   |
| 12          | 11      | PB4/I2C_SCL               | I/O  | X        | X   | X              |           | O1    | T <sup>(1)</sup> | X  | Port B4                     | I <sup>2</sup> C clock                      |   |
| 13          | -       | PB3/TIM1_ETR              | I/O  | X        | X   | X              | HS        | O3    | X                | X  | Port B3                     | Timer 1 external trigger                    |   |
| 14          | -       | PB2/TIM1_NCC3             | I/O  | X        | X   | X              | HS        | O3    | X                | X  | Port B2                     | Timer 1 - inverted channel 3                |   |
| 15          | -       | PB1/AIN1/TIM1_NCC2        | I/O  | X        | X   | X              | HS        | O3    | X                | X  | Port B1                     | Analog input 1/Timer 1 - inverted channel 2 |   |
| 16          | -       | PB0/AIN0/TIM1_NCC1        | I/O  | X        | X   | X              | HS        | O3    | X                | X  | Port B0                     | Analog input 0/Timer 1 - inverted channel 1 |   |
| 17          | -       | PE5/SPI_NSS               | I/O  | X        | X   | X              | HS        | O3    | X                | X  | Port E5                     | SPI master/slave select                     |   |
| 18          | -       | PC1/TIM1_CC1              | I/O  | X        | X   | X              | HS        | O3    | X                | X  | Port C1                     | Timer 1 - channel 1                         |   |
| 19          | -       | PC2/TIM1_CC2              | I/O  | X        | X   | X              | HS        | O3    | X                | X  | Port C2                     | Timer 1 - channel 2                         |   |
| 20          | 12      | PC3/TLI/TIM1_CC3/USART_CK | I/O  | X        | X   | X              | HS        | O3    | X                | X  | Port C3                     | Top level interrupt<br>Timer 1 - channel 3  | USART clock                                 |

Table 6. Pin description for STM8S103 MCUs (continued)

| Pin number  |         | Pin name                   | Type | Input    |     |                | Output    |       |    |    | Main function (after reset) | Default alternate function              | Alternate function after remap [option bit] |
|-------------|---------|----------------------------|------|----------|-----|----------------|-----------|-------|----|----|-----------------------------|---|---|
| VQFN/LQFP32 | TSSOP20 |                            |      | floating | wpu | Ext. interrupt | High sink | Speed | OD | PP |                             |   |   |
|             |         |                            |      | X        | X   | X              | HS        | O3    | X  | X  |                             |   |   |
| 21          | 13      | PC4/AIN2/TIM1_CC4/CLK_CCO  | I/O  | X        | X   | X              | HS        | O3    | X  | X  | Port C4                     | Analog input 2 / Timer 1 - channel 4    | Configurable clock output                   |
| 22          | 14      | PC5/TIM2_CC1/SPI_SCK       | I/O  | X        | X   | X              | HS        | O3    | X  | X  | Port C5                     | Timer 2 - channel 1                     | SPI clock                                   |
| 23          | 15      | PC6/SPI_MOSI               | I/O  | X        | X   | X              | HS        | O3    | X  | X  | Port C6                     | SPI master out/slave in                 |   |
| 24          | 16      | PC7/SPI_MISO               | I/O  | X        | X   | X              | HS        | O3    | X  | X  | Port C7                     | SPI master in/slave out                 |   |
| 25          | -       | PD0/TIM1_BKIN/CLK_CCO      | I/O  | X        | X   | X              | HS        | O3    | X  | X  | Port D0                     | Timer 1 - break input                   | Configurable clock output                   |
| 26          | 17      | PD1/SWIM                   | I/O  | X        | X   | X              | HS        | O4    | X  | X  | Port D1                     | SWIM data interface                     |   |
| 27          | 18      | PD2/AIN3/TIM2_CC3          | I/O  | X        | X   | X              | HS        | O3    | X  | X  | Port D2                     | Analog input 3 / Timer 2 - channel 3    |   |
| 28          | 19      | PD3/AIN4/TIM2_CC2/ADC_ETR  | I/O  | X        | X   | X              | HS        | O3    | X  | X  | Port D3                     | Analog input 4 / Timer 2 - channel 2    | ADC external trigger                        |
| 29          | 20      | PD4/TIM2_CC1/BEEP/USART_CK | I/O  | X        | X   | X              | HS        | O3    | X  | X  | Port D4                     | Timer 2 - channel 1                     | USART clock/BEEP output                     |
| 30          | 1       | PD5/AIN5/USART_TX          | I/O  | X        | X   | X              |           | O1    | X  | X  | Port D5                     | Analog input 5                          | USART data transmit                         |
| 31          | 2       | PD6/AIN6/USART_RX          | I/O  | X        | X   | X              |           | O1    | X  | X  | Port D6                     | Analog input 6                          | USART data receive                          |
| 32          | -       | PD7/TLI/TIM1_CC4           | I/O  | X        | X   | X              | HS        | O3    | X  | X  | Port D7                     | Top level interrupt/Timer 1 - channel 4 |   |

1. In the open-drain output column, 'T' defines a true open-drain I/O (P-buffer and protection diode to V<sub>DD</sub> are not implemented)

### 5.2.1 Alternate function remapping

As shown in the rightmost column of the pin description table, some alternate functions can be remapped at different I/O ports by programming one of 8 AFR (alternate function remap) option bits. Refer to [Section 6: Option bytes on page 29](#). When the remapping option is active, the default alternate function is no longer available.

To use an alternate function, the corresponding peripheral must be enabled in the peripheral registers.

Alternate function remapping does not effect GPIO capabilities of the I/O ports (see GPIO section of the family reference manual, RM0016).

## 6 Option bytes

Option bytes contain configurations for device hardware features as well as the memory protection of the device. They are stored in a dedicated block of the memory. Except for the ROP (read-out protection) byte, each option byte has to be stored twice, in a regular form (OPTx) and a complemented one (NOPTx) for redundancy.

Option bytes can be modified in ICP mode (via SWIM) by accessing the address shown in [Table 7: Option bytes](#) below.

Option bytes can also be modified ‘on the fly’ by the application in IAP mode, except the ROP and UBC options that can only be toggled in ICP mode (via SWIM).

Refer to the STM8S Flash programming manual (PM0051) and STM8 SWIM communication protocol and debug module user manual (UM0470) for information on SWIM programming procedures.

**Table 7. Option bytes**

| Addr. | Option name                        | Option byte no. | Option bits  |       |       |       |          |           |             |            | Factory default setting |
|-------|------------------------------------|-----------------|--------------|-------|-------|-------|----------|-----------|-------------|------------|-------------------------|
|       |                                    |                 | 7            | 6     | 5     | 4     | 3        | 2         | 1           | 0          |                         |
| 4800h | Read-out protection (ROP)          | OPT0            | ROP[7:0]     |       |       |       |          |           |             |            | 00h                     |
| 4801h | User boot code(UBC)                | OPT1            | UBC[7:0]     |       |       |       |          |           |             |            | 00h                     |
| 4802h |                                    | NOPT1           | NUBC[7:0]    |       |       |       |          |           |             |            | FFh                     |
| 4803h | Alternate function remapping (AFR) | OPT2            | AFR7         | AFR6  | AFR5  | AFR4  | AFR3     | AFR2      | AFR1        | AFR0       | 00h                     |
| 4804h |                                    | NOPT2           | NAFR7        | NAFR6 | NAFR5 | NAFR4 | NAFR3    | NAFR2     | NAFR1       | NAFR0      | FFh                     |
| 4805h | Watchdog option                    | OPT3            | Reserved     |       |       |       | LSI_EN   | IWDG_HW   | WWDG_HW     | WWDG_HALT  | 00h                     |
| 4806h |                                    | NOPT3           | Reserved     |       |       |       | NLSI_EN  | NIWDG_HW  | NWWDG_HW    | NWWDG_HALT | FFh                     |
| 4807h | Clock option                       | OPT4            | Reserved     |       |       |       | EXT_CLK  | CKAWU_SEL | PRS_C1      | PRS_C0     | 00h                     |
| 4808h |                                    | NOPT4           | Reserved     |       |       |       | NEXT_CLK | NCKAWU_EL | NPR_SC1     | NPR_SC0    | FFh                     |
| 4809h | HSE clock startup                  | OPT5            | HSECNT[7:0]  |       |       |       |          |           |             |            | 00h                     |
| 480Ah |                                    | NOPT5           | NHSECNT[7:0] |       |       |       |          |           |             |            | FFh                     |
| 480Bh | Reserved                           | OPT6            | Reserved     |       |       |       |          |           |             |            | 00h                     |
| 480Ch |                                    | NOPT6           | Reserved     |       |       |       |          |           |             |            | FFh                     |
| 480Dh | Flash wait states                  | OPT7            | Reserved     |       |       |       |          |           | Wait state  |            | 00h                     |
| 480Eh |                                    | NOPT7           | Reserved     |       |       |       |          |           | Nwait state |            | FFh                     |
| 487Eh | Bootloader                         | OPTBL           | BL[7:0]      |       |       |       |          |           |             |            | 00h                     |
| 487Fh |                                    | NOPTBL          | NBL[7:0]     |       |       |       |          |           |             |            | FFh                     |

Table 8. Option byte description

| Option byte no. | Description  |
|-----------------|--|
| OPT0            | <p><b>ROP[7:0]</b> Memory readout protection (ROP)<br/> AAh: Enable readout protection (write access via SWIM protocol)<br/> <i>Note: Refer to the family reference manual (RM0016) section on Flash memory readout protection for details.</i></p>  |
| OPT1            | <p><b>UBC[7:0]</b> User boot code area<br/> For STM8S105 (page size 128 bytes):<br/> 00h: no UBC, no write-protection<br/> 01h: Page 0 and 1 defined as UBC, memory write-protected<br/> 02h to FFh: Pages 2 to 255 defined as UBC, memory write-protected<br/> For STM8S103 (page size 64 bytes):<br/> 00h: no UBC, no write-protection<br/> 01h: Page 0 and 1 defined as UBC, memory write-protected<br/> 02h to 7Fh: Pages 2 to 127 defined as UBC, memory write-protected<br/> <i>Note: Refer to the family reference manual (RM0016) section on Flash write protection for more details.</i></p>  |
| OPT2            | <p><b>Note</b> : This remapping applies to STM8S105. For STM8S103 alternate function remapping refer to <a href="#">Table 9 on page 34</a>.</p> <p><b>AFR7</b> Alternate function remapping option 7<br/> 0: Port D4 alternate function = TIM2_CC1<br/> 1: Port D4 alternate function = BEEP</p> <p><b>AFR6</b> Alternate function remapping option 6<br/> 0: Port B5 alternate function = AIN5, port B4 alternate function = AIN4<br/> 1: Port B5 alternate function = I<sup>2</sup>C_SDA, port B4 alternate function = I<sup>2</sup>C_SCL</p> <p><b>AFR5</b> Alternate function remapping option 5<br/> 0: Port B3 alternate function = AIN3, port B2 alternate function = AIN2, port B1 alternate function = AIN1, port B0 alternate function = AIN0<br/> 1: Port B3 alternate function = TIM1_ETR, port B2 alternate function = TIM1_NCC3, port B1 alternate function = TIM1_NCC2, port B0 alternate function = TIM1_NCC1</p> <p><b>AFR4</b> Alternate function remapping option 4<br/> 0: Port D7 alternate function = TLI<br/> 1: Port D7 alternate function = TIM1_CC4</p> <p><b>AFR3</b> Alternate function remapping option 3<br/> 0: Port D0 alternate function = TIM3_CC2<br/> 1: Port D0 alternate function = TIM1_BKIN</p> <p><b>AFR2</b> Alternate function remapping option 2<br/> 0: Port D0 alternate function = TIM3_CC2<br/> 1: Port D0 alternate function = CLK_CCO<br/> <i>Note: AFR2 option has priority over AFR3 if both are activated</i></p> |
| OPT2 (cont'd)   | <p><b>AFR1</b> Alternate function remapping option 1<br/> 0: Port A3 alternate function = TIM2_CC3, port D2 alternate function = TIM3_CC1<br/> 1: Port A3 alternate function = TIM3_CC1, port D2 alternate function = TIM2_CC3</p> <p><b>AFR0</b> Alternate function remapping option 0<br/> 0: Port D3 alternate function = TIM2_CC2<br/> 1: Port D3 alternate function = ADC_ETR</p>   |



Table 8. Option byte description (continued)

| Option byte no. | Description  |
|-----------------|--|
| OPT3            | <b>LSI_EN:</b> <i>Low speed internal clock enable</i><br>0: LSI clock is not available as CPU clock source<br>1: LSI clock is available as CPU clock source  |
|                 | <b>IWDG_HW:</b> <i>Independent watchdog</i><br>0: IWDG Independent watchdog activated by software<br>1: IWDG Independent watchdog activated by hardware  |
|                 | <b>WWDG_HW:</b> <i>Window watchdog activation</i><br>0: WWDG window watchdog activated by software<br>1: WWDG window watchdog activated by hardware  |
|                 | <b>WWDG_HALT:</b> <i>Window watchdog reset on halt</i><br>0: No reset generated on halt if WWDG active<br>1: Reset generated on halt if WWDG active  |
| OPT4            | <b>EXTCLK:</b> <i>External clock selection</i><br>0: External crystal connected to OSCIN/OSCOU<br>1: External clock signal on OSCIN  |
|                 | <b>CKAWUSEL:</b> <i>Auto wake-up unit/clock</i><br>0: LSI clock source selected for AWU<br>1: HSE clock with prescaler selected as clock source for for AWU  |
|                 | <b>PRSC[1:0]</b> AWU clock prescaler<br>00: Reserved<br>01: 16 MHz to 128 kHz prescaler<br>10: 8 MHz to 128 kHz prescaler<br>11: 4 MHz to 128 kHz prescaler  |
| OPT5            | <b>HSECNT[7:0]:</b> <i>HSE crystal oscillator stabilization time</i><br>This configures the stabilisation time to 0, 16, 256, 4096 HSE cycles.   |
| OPT6            | Reserved   |
| OPT7            | Reserved   |
| OPTBL           | <b>BL[7:0]</b> <i>Bootloader option byte</i><br>This option is checked by the boot ROM code after reset. Depending on content of addresses 487Eh, 487Fh and 8000h (reset vector) the CPU jumps to the bootloader or to the reset vector.<br>Refer to STM8S bootloader manual for more details. |

Table 9. STM8S103x alternate function remapping bits.

| Option byte no. | Description   |
|-----------------|---|
| OPT2            | <b>AFR7</b> <i>Alternate function remapping option 7</i><br>0: TBD<br>1: TBD      |
|                 | <b>AFR6</b> <i>Alternate function remapping option 6</i><br>0: TBD<br>1: TBD      |
|                 | <b>AFR5</b> <i>Alternate function remapping option 5</i><br>0: TBD<br>1: Reserved |
|                 | <b>AFR4</b> <i>Alternate function remapping option 4</i><br>0: TBD<br>1: TBD      |
|                 | <b>AFR3</b> <i>Alternate function remapping option 3</i><br>0: TBD<br>1: TBD      |
|                 | <b>AFR2</b> <i>Alternate function remapping option 2</i><br>0: TBD<br>1: TBD      |
|                 | <b>AFR1</b> <i>Alternate function remapping option 1</i><br>0: TBD<br>1: TBD      |
|                 | <b>AFR0</b> <i>Alternate function remapping option 0</i><br>0: TBD<br>1: TBD      |

## 7 Electrical characteristics

### 7.1 Parameter conditions

Unless otherwise specified, all voltages are referred to  $V_{SS}$ .

#### 7.1.1 Minimum and maximum values

Unless otherwise specified the minimum and maximum values are guaranteed in the worst conditions of ambient temperature, supply voltage and frequencies by tests in production on 100 % of the devices with an ambient temperature at  $T_A = 25\text{ °C}$  and  $T_A = T_{Amax}$  (given by the selected temperature range).

Data based on characterization results, design simulation and/or technology characteristics are indicated in the table footnotes and are not tested in production. Based on characterization, the minimum and maximum values refer to sample tests and represent the mean value plus or minus three times the standard deviation (mean  $\pm 3\sigma$ ).

#### 7.1.2 Typical values

Unless otherwise specified, typical data are based on  $T_A = 25\text{ °C}$ ,  $V_{DD} = 5.0\text{ V}$ . They are given only as design guidelines and are not tested.

Typical ADC accuracy values are determined by characterization of a batch of samples from a standard diffusion lot over the full temperature range, where 95% of the devices have an error less than or equal to the value indicated (mean  $\pm 2\sigma$ ).

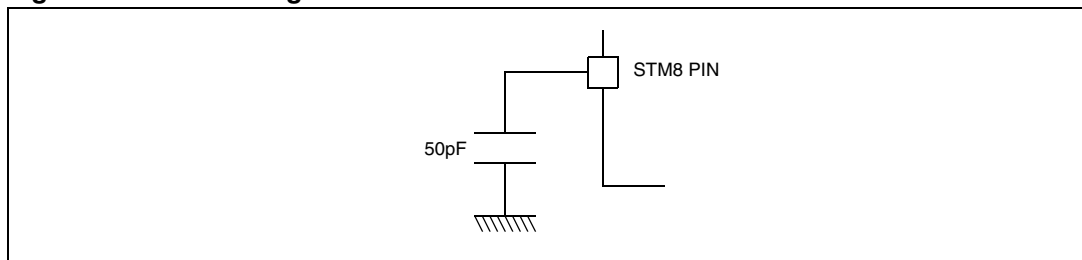
#### 7.1.3 Typical curves

Unless otherwise specified, all typical curves are given only as design guidelines and are not tested.

#### 7.1.4 Loading capacitor

The loading conditions used for pin parameter measurement are shown in [Figure 10](#).

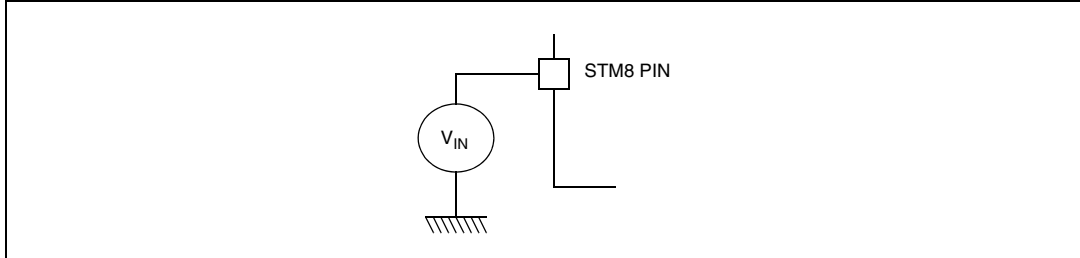
**Figure 10. Pin loading conditions**



### 7.1.5 Pin input voltage

The input voltage measurement on a pin of the device is described in [Figure 11](#).

**Figure 11. Pin input voltage**



## 7.2 Absolute maximum ratings

Stresses above those listed as ‘absolute maximum ratings’ may cause permanent damage to the device. This is a stress rating only and functional operation of the device under these conditions is not implied. Exposure to maximum rating conditions for extended periods may affect device reliability.

**Table 10. Voltage characteristics**

| Symbol               | Ratings   | Min            | Max            | Unit |
|----------------------|---|----------------|----------------|------|
| $V_{DDx} - V_{SS}$   | Supply voltage (including $V_{DDA}$ and $V_{DDIO}$ ) <sup>(1)</sup> | -0.3           | 6.5            | V    |
| $V_{IN}$             | Input voltage on true open drain pins (PE1, PE2) <sup>(2)</sup>     | $V_{SS} - 0.3$ | 6.5            |      |
|                      | Input voltage on any other pin <sup>(2)</sup>                       | $V_{SS} - 0.3$ | $V_{DD} + 0.3$ |      |
| $ V_{DDx} - V_{SS} $ | Variations between different power pins                             |                | 50             | mV   |
| $ V_{SSx} - V_{SS} $ | Variations between all the different ground pins                    |                | 50             |      |

1. All power ( $V_{DD}$ ,  $V_{DDIO}$ ,  $V_{DDA}$ ) and ground ( $V_{SS}$ ,  $V_{SSIO}$ ,  $V_{SSA}$ ) pins must always be connected to the external power supply
2.  $I_{INJ(PIN)}$  must never be exceeded. This is implicitly insured if  $V_{IN}$  maximum is respected. If  $V_{IN}$  maximum cannot be respected, the injection current must be limited externally to the  $I_{INJ(PIN)}$  value. A positive injection is induced by  $V_{IN} > V_{DD}$  while a negative injection is induced by  $V_{IN} < V_{SS}$ . For true open-drain pads, there is no positive injection current, and the corresponding  $V_{IN}$  maximum must always be respected

Table 11. Current characteristics

| Symbol                               | Ratings   | Max.     | Unit |
|--------------------------------------|---|----------|------|
| $I_{VDD}$                            | Total current into $V_{DD}$ power lines (source) <sup>(1)</sup>         | 60       | mA   |
| $I_{VSS}$                            | Total current out of $V_{SS}$ ground lines (sink) <sup>(1)</sup>        | 60       |      |
| $I_{IO}$                             | Output current sunk by any I/O and control pin                          | 20       |      |
|                                      | Output current source by any I/Os and control pin                       | - 20     |      |
| $I_{INJ(PIN)}$ <sup>(2)(3)</sup>     | Injected current on NRST pin  | $\pm 4$  |      |
|                                      | Injected current on OSCIN pin   | $\pm 4$  |      |
|                                      | Injected current on any other pin <sup>(4)</sup>                        | $\pm 4$  |      |
| $\Sigma I_{INJ(PIN)}$ <sup>(2)</sup> | Total injected current (sum of all I/O and control pins) <sup>(4)</sup> | $\pm 20$ |      |

1. All power ( $V_{DD}$ ,  $V_{DDIO}$ ,  $V_{DDA}$ ) and ground ( $V_{SS}$ ,  $V_{SSIO}$ ,  $V_{SSA}$ ) pins must always be connected to the external supply.
2.  $I_{INJ(PIN)}$  must never be exceeded. This is implicitly insured if  $V_{IN}$  maximum is respected. If  $V_{IN}$  maximum cannot be respected, the injection current must be limited externally to the  $I_{INJ(PIN)}$  value. A positive injection is induced by  $V_{IN} > V_{DD}$  while a negative injection is induced by  $V_{IN} < V_{SS}$ . For true open-drain pads, there is no positive injection current, and the corresponding  $V_{IN}$  maximum must always be respected.
3. Negative injection disturbs the analog performance of the device.
4. When several inputs are submitted to a current injection, the maximum  $\Sigma I_{INJ(PIN)}$  is the absolute sum of the positive and negative injected currents (instantaneous values). These results are based on characterization with  $\Sigma I_{INJ(PIN)}$  maximum current injection on four I/O port pins of the device.

Table 12. Thermal characteristics

| Symbol    | Ratings                      | Value       | Unit |
|-----------|------------------------------|-------------|------|
| $T_{STG}$ | Storage temperature range    | -65 to +150 | °C   |
| $T_J$     | Maximum junction temperature | 150         |      |

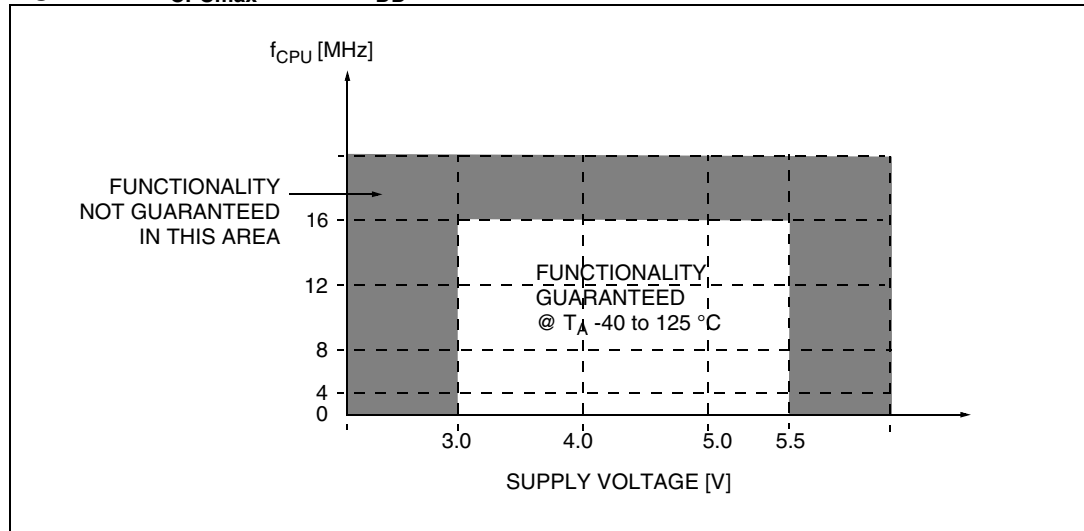
### 7.3 Operating conditions

**Table 13. General operating conditions<sup>(1)</sup>**

| Symbol              | Parameter  | Conditions                           | Min | Max | Unit             |
|---------------------|--|--------------------------------------|-----|-----|------------------|
| $f_{CPU}$           | Internal CPU clock frequency   |                                      | 0   | 16  | MHz              |
| $V_{DD}/V_{DD\_IO}$ | Standard operating voltage   |                                      | 3.0 | 5.5 | V                |
| $P_D$               | Power dissipation at $T_A= 85^\circ\text{C}$ for suffix 6 or $T_A= 125^\circ\text{C}$ for suffix 3 | LQFP48                               |     | TBD | mW               |
|                     |  | LQFP44                               |     | TBD |                  |
|                     |  | LQFP32                               |     | TBD |                  |
|                     |  | VFQFN32                              |     | TBD |                  |
|                     |  | TSSOP20                              |     | TBD |                  |
| $T_A$               | Ambient temperature for 6 suffix version   | Maximum power dissipation            | -40 | 85  | $^\circ\text{C}$ |
|                     |  | Low power dissipation <sup>(2)</sup> | -40 | 105 | $^\circ\text{C}$ |
|                     | Ambient temperature for 3 suffix version   | Maximum power dissipation            | -40 | 125 | $^\circ\text{C}$ |
|                     |  | Low power dissipation <sup>(2)</sup> | -40 | TBD | $^\circ\text{C}$ |
| $T_J$               | Junction temperature range   | 6 suffix version                     | -40 | 105 | $^\circ\text{C}$ |
|                     |  | 3 suffix version                     | -40 | TBD | $^\circ\text{C}$ |

1. TBD = to be determined.
2. In low power dissipation state,  $T_A$  can be extended to this range as long as  $T_J$  does not exceed  $T_{Jmax}$

**Figure 12.  $f_{CPUmax}$  versus  $V_{DD}$**



### 7.3.1 I/O port pin characteristics

#### General characteristics

Subject to general operating conditions for  $V_{DD}$  and  $T_A$  unless otherwise specified. All unused pins must be kept at a fixed voltage: using the output mode of the I/O for example or an external pull-up or pull-down resistor.

**Table 14. I/O static characteristics<sup>(1)</sup>**

| Symbol               | Parameter                                      | Conditions                                  | Min                 | Typ | Max                      | Unit          |
|----------------------|--|---|---------------------|-----|--------------------------|---------------|
| $V_{IL}$             | Input low level voltage                        | $V_{DD} = 5.0\text{ V}$                     | -0.3 V              |     | TBD                      | V             |
| $V_{IH}$             | Input high level voltage                       |   | $0.7 \times V_{DD}$ |     | $V_{DD} + 0.3\text{ V}$  | V             |
| $V_{hys}$            | Hysteresis <sup>(2)</sup>                      |   |                     | 700 |                          | mV            |
| $R_{pu}$             | Pull-up resistor                               | $V_{DD} = 5\text{ V}, V_{IN} = V_{SS}$      | 30                  | 45  | 60                       | k $\Omega$    |
| $t_R, t_F$           | Rise and fall time (10% - 90%)                 | Fast I/Os<br>Load = 50 pF                   |                     |     | 20 <sup>(3)</sup>        | ns            |
|                      |  | Standard and high sink I/Os<br>Load = 50 pF |                     |     | 125 <sup>(3)</sup>       | ns            |
| $I_{lkg}$            | Input leakage current, analog and digital      | $V_{SS} \leq V_{IN} \leq V_{DD}$            |                     |     | $\pm 1$ <sup>(3)</sup>   | $\mu\text{A}$ |
| $I_{lkg\text{ ana}}$ | Analog input leakage current                   | $V_{SS} \leq V_{IN} \leq V_{DD}$            |                     |     | $\pm 250$ <sup>(3)</sup> | nA            |
| $I_{lkg(inj)}$       | Leakage current in adjacent I/O <sup>(3)</sup> | Injection current $\pm 4\text{ mA}$         |                     |     | $\pm 1$ <sup>(3)</sup>   | $\mu\text{A}$ |

1. TBD = to be determined.

2. Hysteresis voltage between Schmitt trigger switching levels. Based on characterization results, not tested in production.

3. Data based on characterization results, not tested in production.

Figure 13. Typical  $V_{IL}$  and  $V_{IH}$  vs  $V_{DD}$  @ 4 temperatures

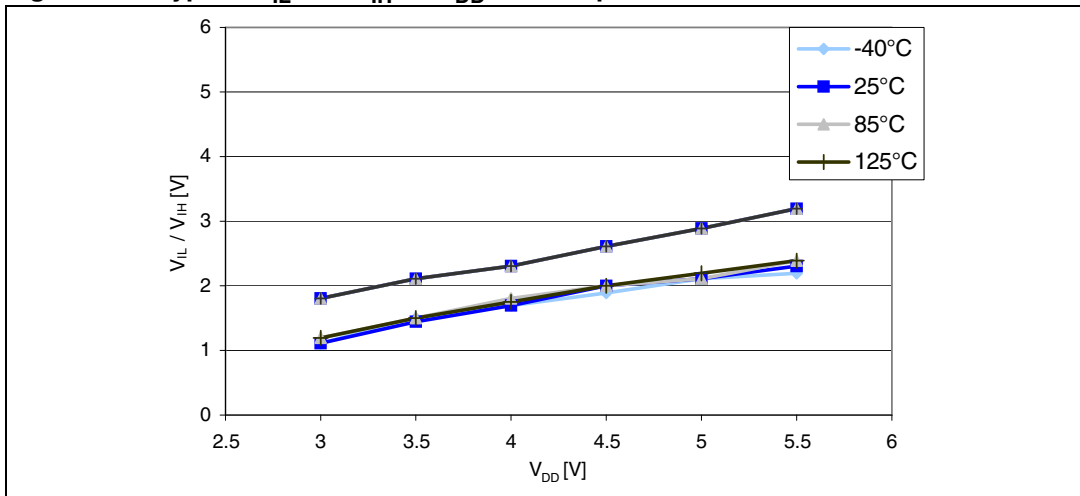


Figure 14. Typical pull-up resistance  $R_{PU}$  vs  $V_{DD}$  @ 4 temperatures

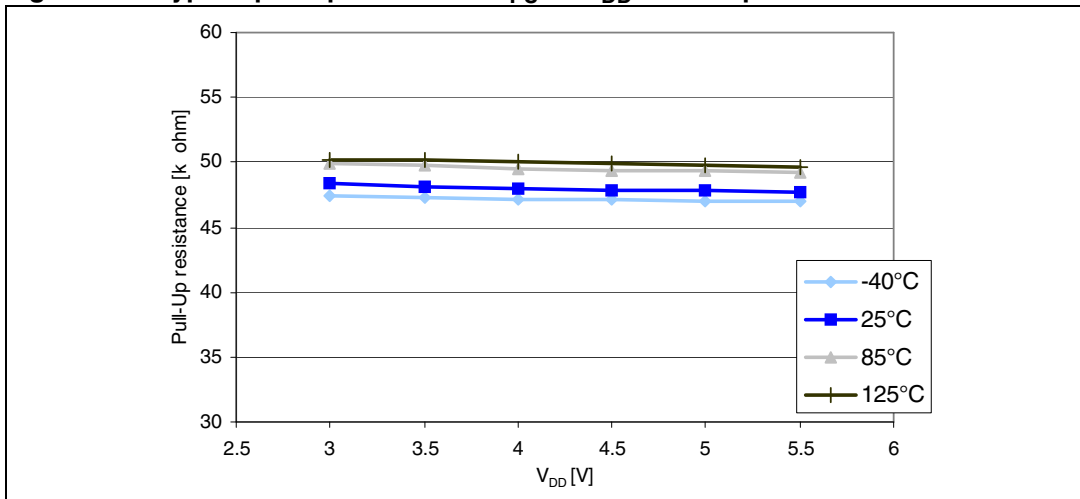
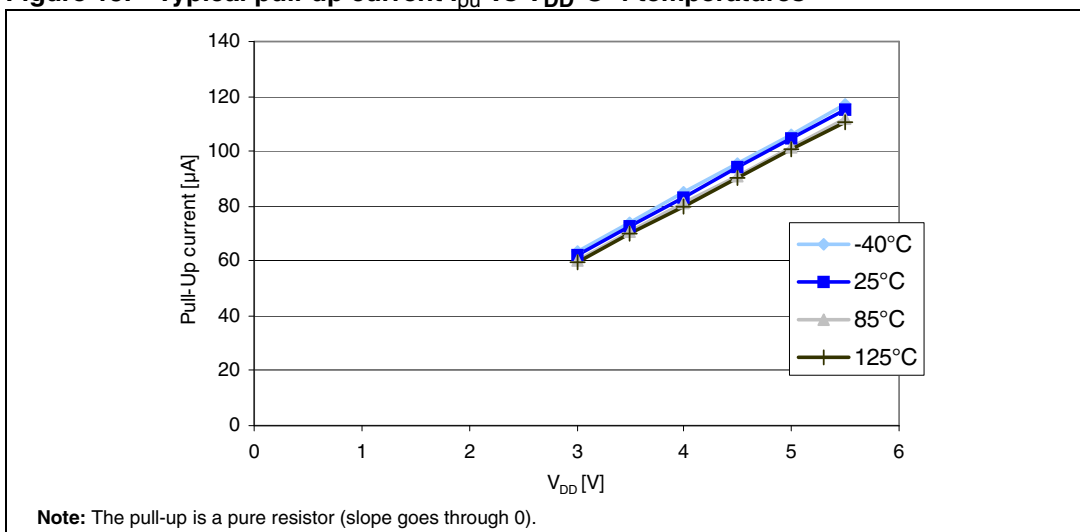


Figure 15. Typical pull-up current  $I_{PU}$  vs  $V_{DD}$  @ 4 temperatures





**Table 15. Output driving current (standard ports)**

| Symbol          | Parameter                             | Conditions                                       | Min                | Max                 | Unit |
|-----------------|---------------------------------------|--|--------------------|---------------------|------|
| V <sub>OL</sub> | Output low level with 4 pins sunk     | I <sub>IO</sub> = 4 mA, V <sub>DD</sub> = 3.3 V  |                    | 1000 <sup>(1)</sup> | mV   |
|                 | Output low level with 8 pins sunk     | I <sub>IO</sub> = 10 mA, V <sub>DD</sub> = 5.0 V |                    | 2000                |      |
| V <sub>OH</sub> | Output high level with 4 pins sourced | I <sub>IO</sub> = 4 mA, V <sub>DD</sub> = 3.3 V  | 2.1 <sup>(1)</sup> |                     | V    |
|                 | Output high level with 8 pins sourced | I <sub>IO</sub> = 10 mA, V <sub>DD</sub> = 5.0 V | 2.8                |                     |      |

1. Data based on characterization results, not tested in production

**Table 16. Output driving current (true open drain ports)**

| Symbol          | Parameter                         | Conditions                                       | Min | Max                 | Unit |
|-----------------|-----------------------------------|--|-----|---------------------|------|
| V <sub>OL</sub> | Output low level with 2 pins sunk | I <sub>IO</sub> = 10 mA, V <sub>DD</sub> = 3.3 V |     | 1500 <sup>(1)</sup> | mV   |
|                 |                                   | I <sub>IO</sub> = 10 mA, V <sub>DD</sub> = 5.0 V |     | 1000                |      |
|                 |                                   | I <sub>IO</sub> = 20 mA, V <sub>DD</sub> = 5.0 V |     | TBD <sup>(1)</sup>  |      |

1. Data based on characterization results, not tested in production

**Table 17. Output driving current (high sink ports)**

| Symbol          | Parameter                             | Conditions                                       | Min                | Max                 | Unit |
|-----------------|---------------------------------------|--|--------------------|---------------------|------|
| V <sub>OL</sub> | Output low level with 4 pins sunk     | I <sub>IO</sub> = 10 mA, V <sub>DD</sub> = 3.3 V |                    | 1000 <sup>(1)</sup> | mV   |
|                 | Output low level with 8 pins sunk     | I <sub>IO</sub> = 10 mA, V <sub>DD</sub> = 5.0 V |                    | 800                 |      |
|                 | Output low level with 4 pins sunk     | I <sub>IO</sub> = 20 mA, V <sub>DD</sub> = 5.0 V |                    | 1500 <sup>(1)</sup> |      |
| V <sub>OH</sub> | Output high level with 4 pins sourced | I <sub>IO</sub> = 10 mA, V <sub>DD</sub> = 3.3 V | 2.1 <sup>(1)</sup> |                     | V    |
|                 | Output high level with 8 pins sourced | I <sub>IO</sub> = 10 mA, V <sub>DD</sub> = 5.0 V | 4.0                |                     |      |
|                 | Output high level with 4 pins sourced | I <sub>IO</sub> = 20 mA, V <sub>DD</sub> = 5.0 V | 3.3 <sup>(1)</sup> |                     |      |

1. Data based on characterization results, not tested in production

Figure 16. Typ.  $V_{OL}$  @  $V_{DD} = 3.3$  V (standard ports)

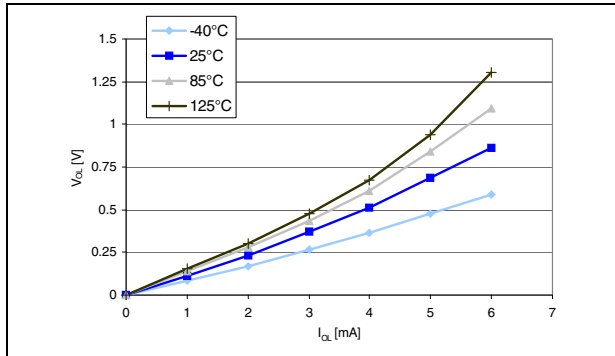


Figure 17. Typ.  $V_{OL}$  @  $V_{DD} = 5.0$  V (standard ports)

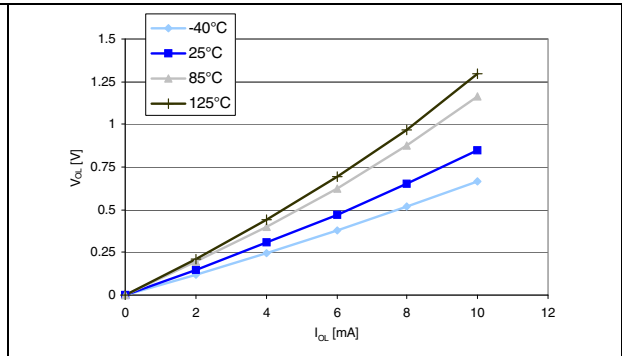


Figure 18. Typ.  $V_{OL}$  @  $V_{DD} = 3.3$  V (true open drain ports)

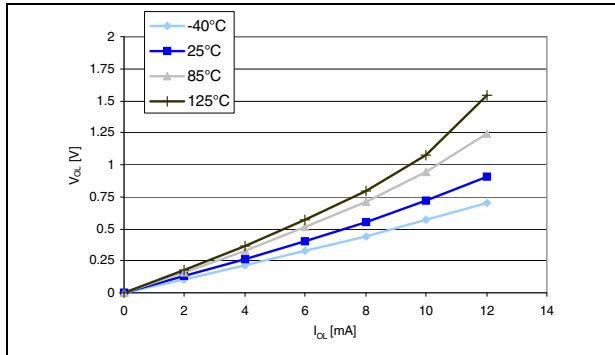


Figure 19. Typ.  $V_{OL}$  @  $V_{DD} = 5.0$  V (true open drain ports)

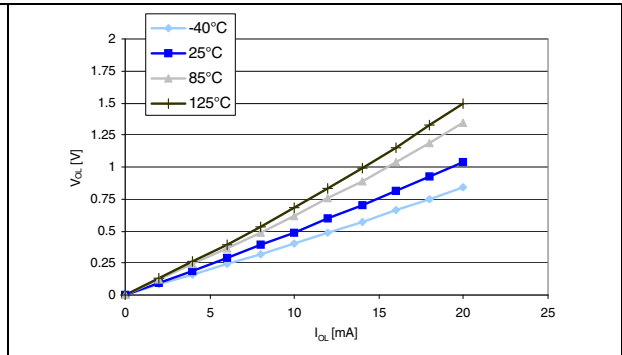


Figure 20. Typ.  $V_{OL}$  @  $V_{DD} = 3.3$  V (high sink ports)

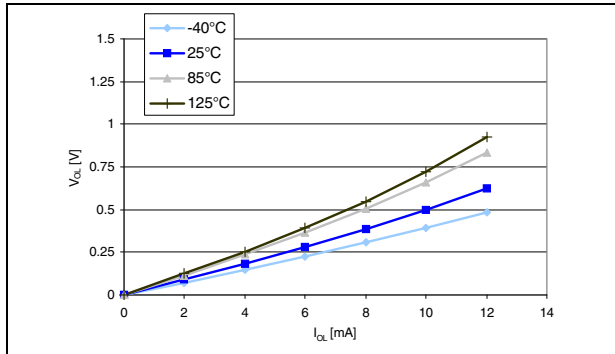


Figure 21. Typ.  $V_{OL}$  @  $V_{DD} = 5.0$  V (high sink ports)

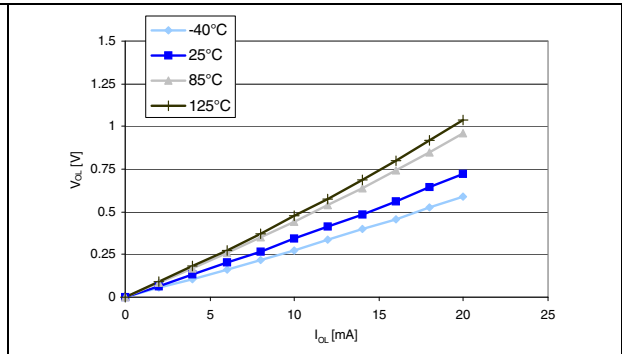


Figure 22. Typ.  $V_{DD} - V_{OH}$  @  $V_{DD} = 3.3\text{ V}$  (standard ports)

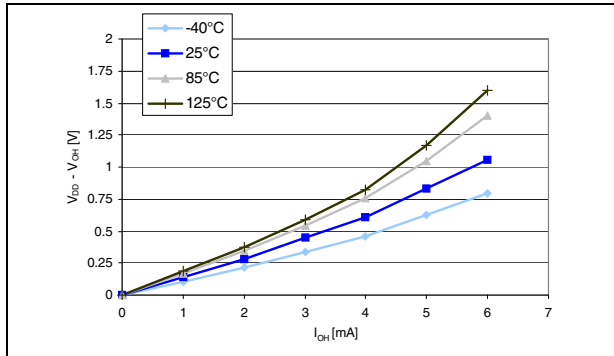


Figure 23. Typ.  $V_{DD} - V_{OH}$  @  $V_{DD} = 5.0\text{ V}$  (standard ports)

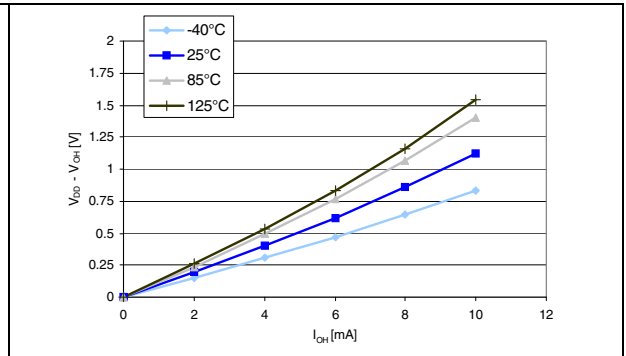


Figure 24. Typ.  $V_{DD} - V_{OH}$  @  $V_{DD} = 3.3\text{ V}$  (high sink ports)

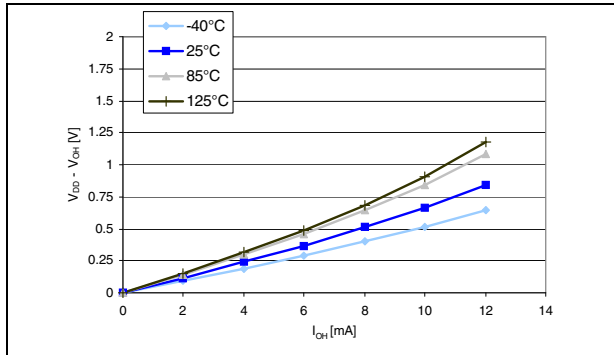
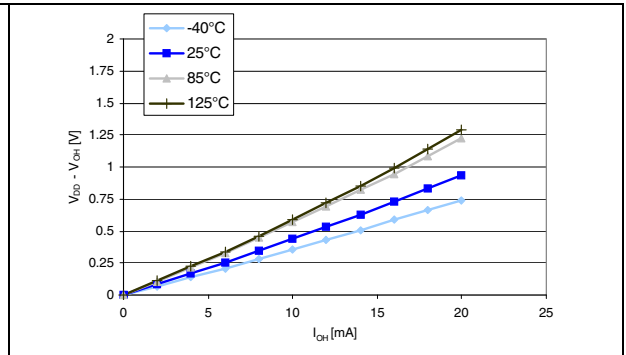


Figure 25. Typ.  $V_{DD} - V_{OH}$  @  $V_{DD} = 5.0\text{ V}$  (high sink ports)



### 7.3.2 Reset pin characteristics

Subject to general operating conditions for  $V_{DD}$  and  $T_A$  unless otherwise specified.

**Table 18. NRST pin characteristics<sup>(1)</sup>**

| Symbol         | Parameter                                    | Conditions      | Min      | Typ <sup>1)</sup> | Max      | Unit       |
|----------------|--|-----------------|----------|-------------------|----------|------------|
| $V_{IL(NRST)}$ | NRST Input low level voltage <sup>(2)</sup>  |                 | $V_{SS}$ |                   | TBD      | V          |
| $V_{IH(NRST)}$ | NRST Input high level voltage <sup>(2)</sup> |                 | TBD      |                   | $V_{DD}$ |            |
| $V_{OL(NRST)}$ | NRST Output low level voltage <sup>(2)</sup> | $I_{OL}=TBD$ mA |          |                   | TBD      |            |
| $R_{PU(NRST)}$ | NRST Pull-up resistor <sup>(3)</sup>         |                 | 30       | 40                | 60       | k $\Omega$ |
| $V_{F(NRST)}$  | NRST Input filtered pulse <sup>(4)</sup>     |                 |          | TBD               |          | ns         |
| $V_{NF(NRST)}$ | NRST Input not filtered pulse <sup>(4)</sup> |                 |          | TBD               |          | $\mu$ s    |

1. TBD = to be determined.
2. Data based on characterization results, not tested in production.
3. The  $R_{PU}$  pull-up equivalent resistor is based on a resistive transistor
4. Data guaranteed by design, not tested in production.

**Figure 26. Typical NRST  $V_{IL}$  and  $V_{IH}$  vs  $V_{DD}$  @ 4 temperatures**

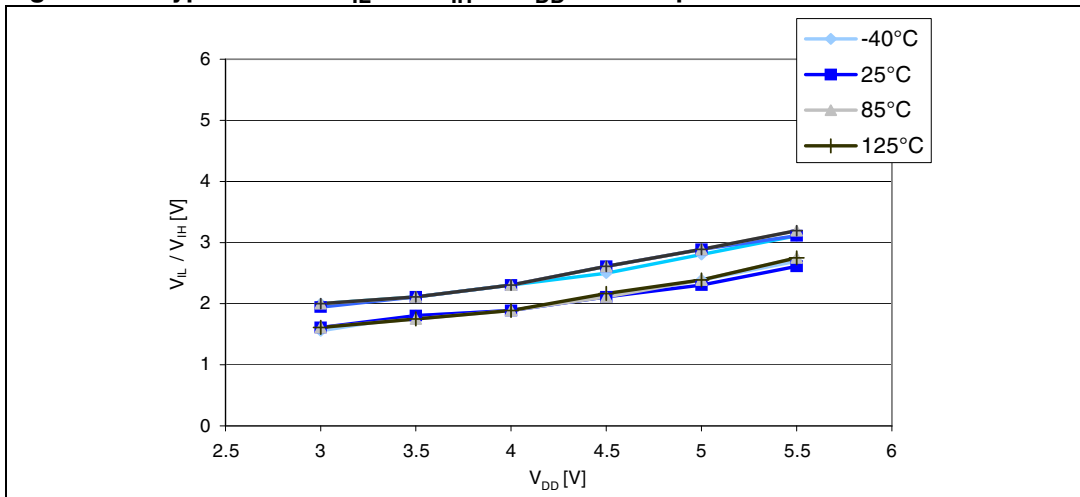


Figure 27. Typical NRST pull-up resistance  $R_{PU}$  vs  $V_{DD}$  @ 4 temperatures

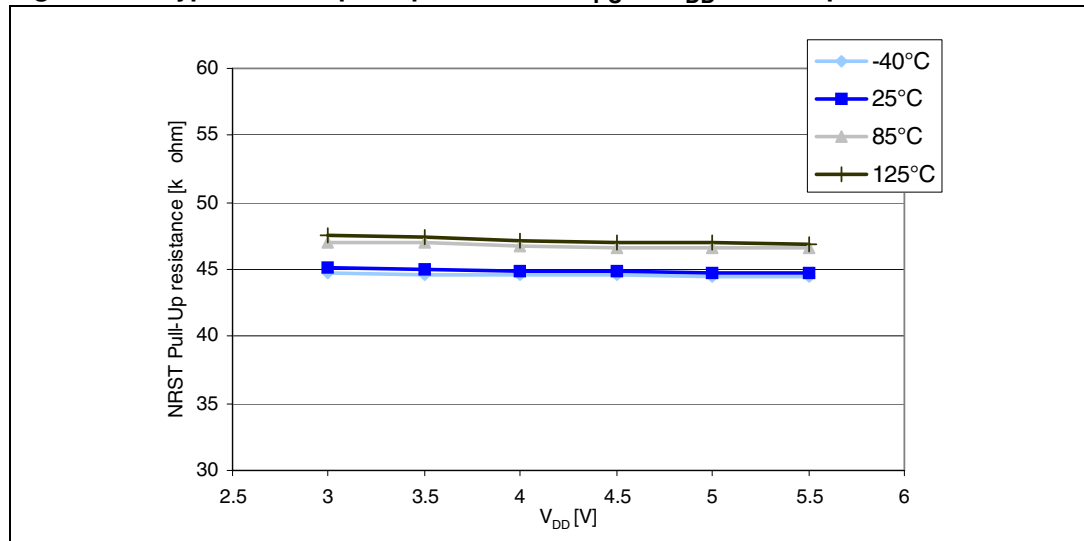
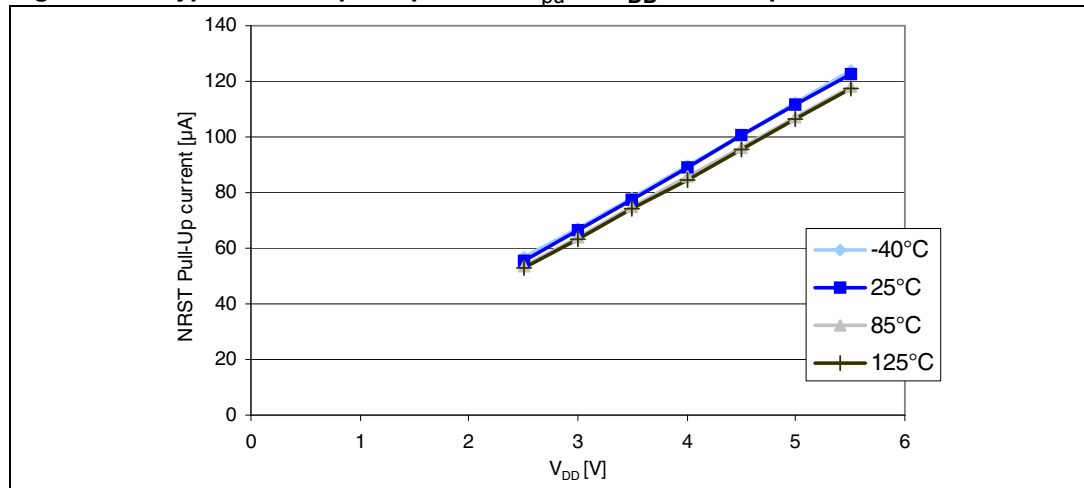
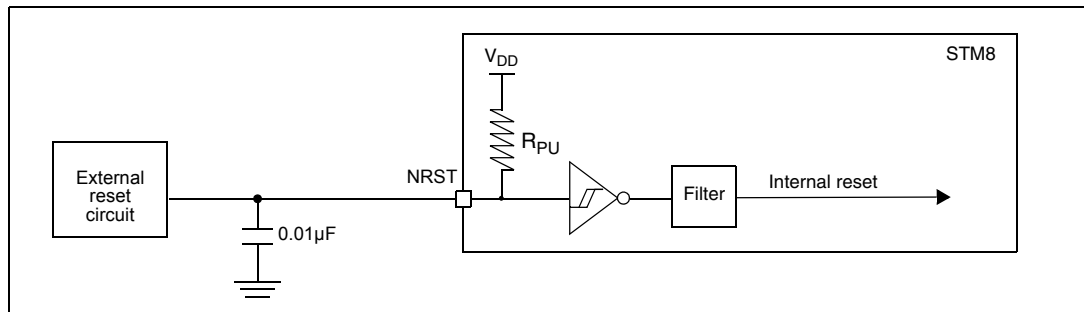


Figure 28. Typical NRST pull-up current  $I_{PU}$  vs  $V_{DD}$  @ 4 temperatures



The reset network shown in [Figure 29](#) protects the device against parasitic resets. The user must ensure that the level on the NRST pin can go below the  $V_{IL}$  max. level specified in [Table 14](#). Otherwise the reset is not taken into account internally.

Figure 29. Recommended reset pin protection



## 8 Package characteristics

In order to meet environmental requirements, ST offers these devices in ECOPACK<sup>®</sup> packages. These packages have a lead-free second level interconnect. The category of second level interconnect is marked on the package and on the inner box label, in compliance with JEDEC Standard JESD97. The maximum ratings related to soldering conditions are also marked on the inner box label.

ECOPACK is an ST trademark. ECOPACK<sup>®</sup> specifications are available at [www.st.com](http://www.st.com).

## 8.1 Package mechanical data

### 8.1.1 LQFP package mechanical data

Figure 30. 48-pin low profile quad flat package (7 x 7)

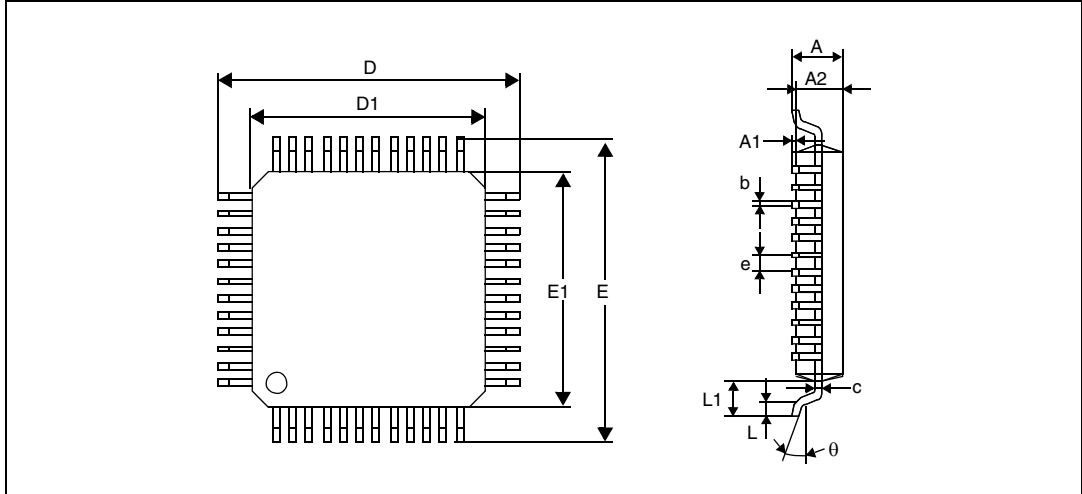


Table 19. 48-pin low profile quad flat package mechanical data

| Dim. | mm   |      |      | inches <sup>(1)</sup> |        |        |
|------|------|------|------|-----------------------|--------|--------|
|      | Min  | Typ  | Max  | Min                   | Typ    | Max    |
| A    |      |      | 1.60 |                       |        | 0.0630 |
| A1   | 0.05 |      | 0.15 | 0.0020                |        | 0.0059 |
| A2   | 1.35 | 1.40 | 1.45 | 0.0531                | 0.0551 | 0.0571 |
| b    | 0.17 | 0.22 | 0.27 | 0.0067                | 0.0087 | 0.0106 |
| C    | 0.09 |      | 0.20 | 0.0035                |        | 0.0079 |
| D    |      | 9.00 |      |                       | 0.3543 |        |
| D1   |      | 7.00 |      |                       | 0.2756 |        |
| E    |      | 9.00 |      |                       | 0.3543 |        |
| E1   |      | 7.00 |      |                       | 0.2756 |        |
| e    |      | 0.50 |      |                       | 0.0197 |        |
| q    | 0°   | 3.5° | 7°   | 0°                    | 3.5°   | 7°     |
| L    | 0.45 | 0.60 | 0.75 | 0.0177                | 0.0236 | 0.0295 |
| L1   |      | 1.00 |      |                       | 0.0394 |        |

1. Values in inches are converted from mm and rounded to 4 decimal digits

Figure 31. 44-pin low profile quad flat package (10 x 10)

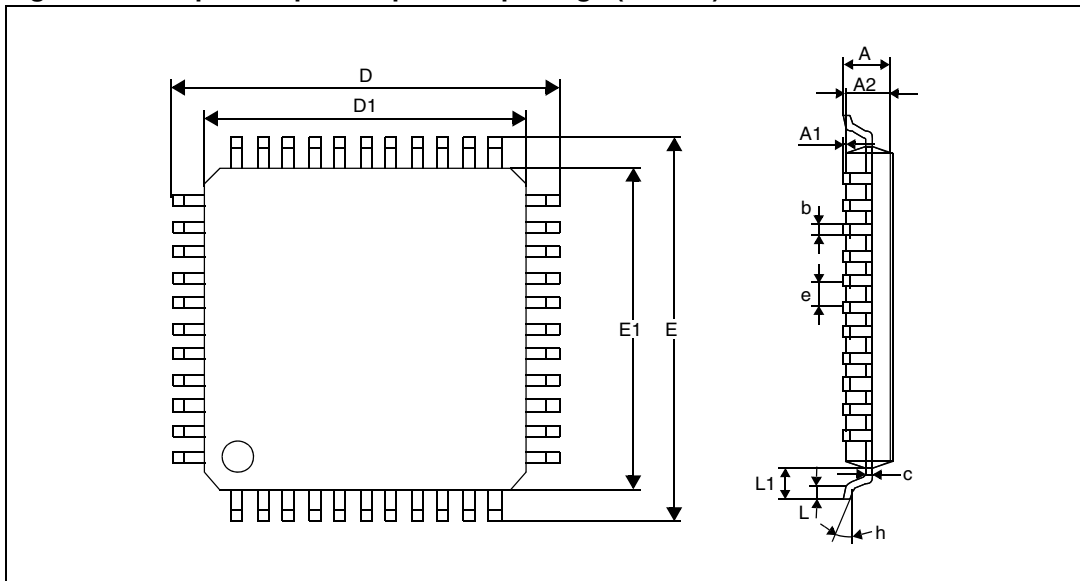


Table 20. 44-pin low profile quad flat package mechanical data

| Dim. | mm   |       |      | inches <sup>(1)</sup> |        |        |
|------|------|-------|------|-----------------------|--------|--------|
|      | Min  | Typ   | Max  | Min                   | Typ    | Max    |
| A    |      |       | 1.60 |                       |        | 0.0630 |
| A1   | 0.05 |       | 0.15 | 0.0020                |        | 0.0059 |
| A2   | 1.35 | 1.40  | 1.45 | 0.0531                | 0.0551 | 0.0571 |
| b    | 0.30 | 0.37  | 0.45 | 0.0118                | 0.0146 | 0.0177 |
| C    | 0.09 |       | 0.20 | 0.0035                |        | 0.0079 |
| D    |      | 12.00 |      |                       | 0.4724 |        |
| D1   |      | 10.00 |      |                       | 0.3937 |        |
| E    |      | 12.00 |      |                       | 0.4724 |        |
| E1   |      | 10.00 |      |                       | 0.3937 |        |
| e    |      | 0.80  |      |                       | 0.0315 |        |
| q    | 0°   | 3.5°  | 7°   | 0°                    | 3.5°   | 7°     |
| L    | 0.45 | 0.60  | 0.75 | 0.0177                | 0.0236 | 0.0295 |
| L1   |      | 1.00  |      |                       | 0.0394 |        |

1. Values in inches are converted from mm and rounded to 4 decimal digits



Figure 32. 32-pin low profile quad flat package (7 x 7)

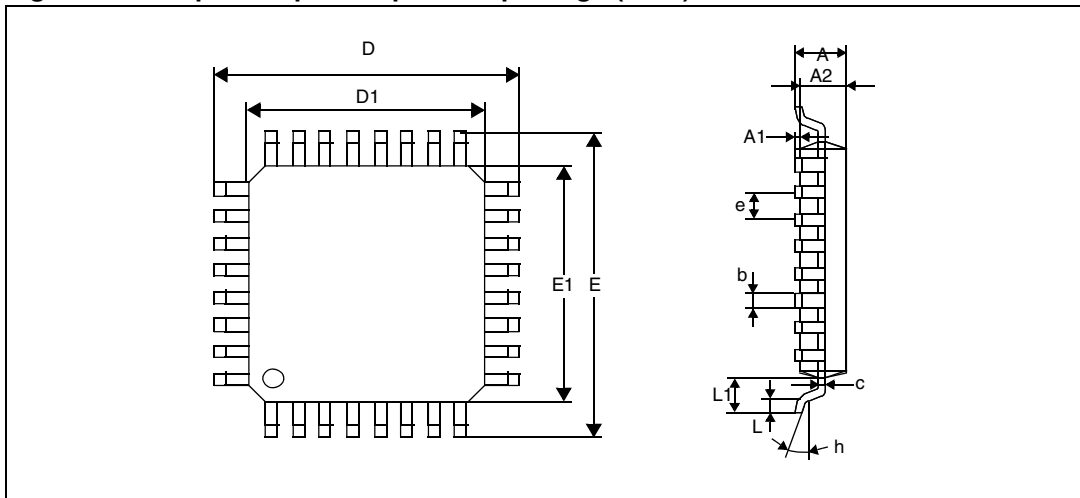


Table 21. 32-pin low profile quad flat package mechanical data

| Dim. | mm   |      |      | inches <sup>(1)</sup> |        |        |
|------|------|------|------|-----------------------|--------|--------|
|      | Min  | Typ  | Max  | Min                   | Typ    | Max    |
| A    |      |      | 1.60 |                       |        | 0.0630 |
| A1   | 0.05 |      | 0.15 | 0.0020                |        | 0.0059 |
| A2   | 1.35 | 1.40 | 1.45 | 0.0531                | 0.0551 | 0.0571 |
| b    | 0.30 | 0.37 | 0.45 | 0.0118                | 0.0146 | 0.0177 |
| C    | 0.09 |      | 0.20 | 0.0035                |        | 0.0079 |
| D    |      | 9.00 |      |                       | 0.3543 |        |
| D1   |      | 7.00 |      |                       | 0.2756 |        |
| E    |      | 9.00 |      |                       | 0.3543 |        |
| E1   |      | 7.00 |      |                       | 0.2756 |        |
| e    |      | 0.80 |      |                       | 0.0315 |        |
| q    | 0°   | 3.5° | 7°   | 0°                    | 3.5°   | 7°     |
| L    | 0.45 | 0.60 | 0.75 | 0.0177                | 0.0236 | 0.0295 |
| L1   |      | 1.00 |      |                       | 0.0394 |        |

1. Values in inches are converted from mm and rounded to 4 decimal digits

### 8.1.2 QFN package mechanical data

Figure 33. 32-lead very thin fine pitch quad flat no-lead package (5 x 5)

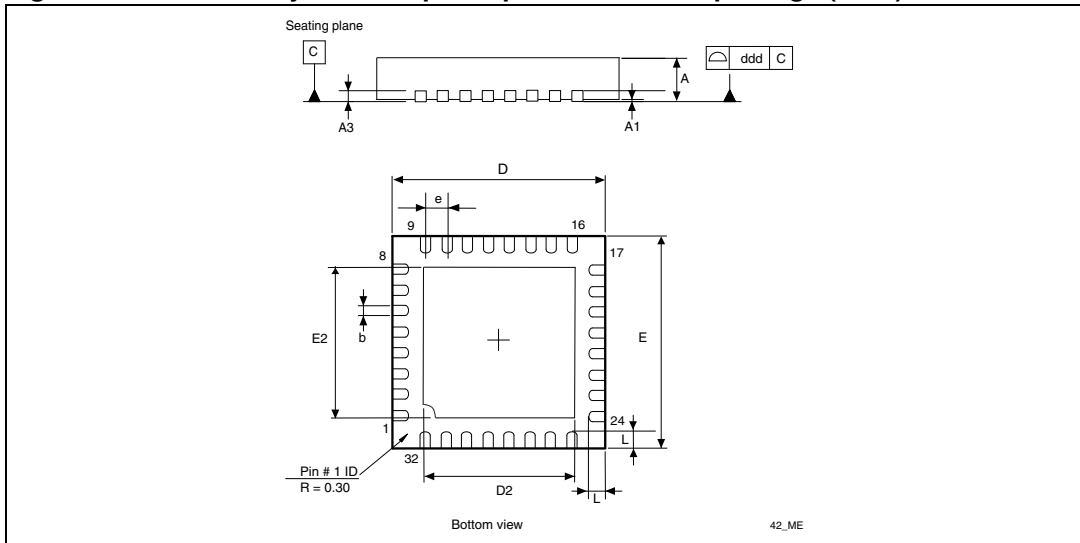


Table 22. 32-lead very thin fine pitch quad flat no-lead package mechanical data

| Dim. | mm   |      |      | inches <sup>(1)</sup> |        |        |
|------|------|------|------|-----------------------|--------|--------|
|      | Min  | Typ  | Max  | Min                   | Typ    | Max    |
| A    | 0.80 | 0.90 | 1.00 | 0.0315                | 0.0354 | 0.0394 |
| A1   | 0    | 0.02 | 0.05 |                       | 0.0008 | 0.0020 |
| A3   |      | 0.20 |      |                       | 0.0079 |        |
| b    | 0.18 | 0.25 | 0.30 | 0.0071                | 0.0098 | 0.0118 |
| D    | 4.85 | 5.00 | 5.15 | 0.1909                | 0.1969 | 0.2028 |
| D2   | 3.20 | 3.45 | 3.70 | 0.1260                |        | 0.1457 |
| E    | 4.85 | 5.00 | 5.15 | 0.1909                | 0.1969 | 0.2028 |
| E2   | 3.20 | 3.45 | 3.70 | 0.1260                | 0.1358 | 0.1457 |
| e    |      | 0.50 |      |                       | 0.0197 |        |
| L    | 0.30 | 0.40 | 0.50 | 0.0118                | 0.0157 | 0.0197 |
| ddd  |      |      | 0.08 |                       |        | 0.0031 |

1. Values in inches are converted from mm and rounded to 4 decimal digits

1. TBD = to be determined.

8.1.3 TSSOP package mechanical data

Figure 34. TSSOP 20-pin, 4.40 mm body, 0.65 mm pitch

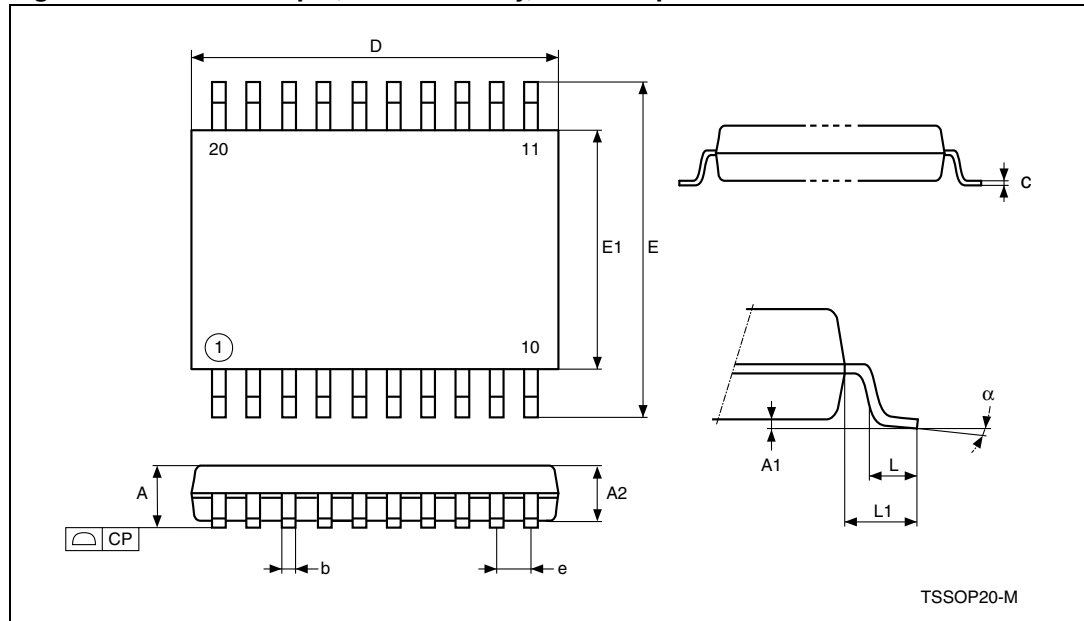


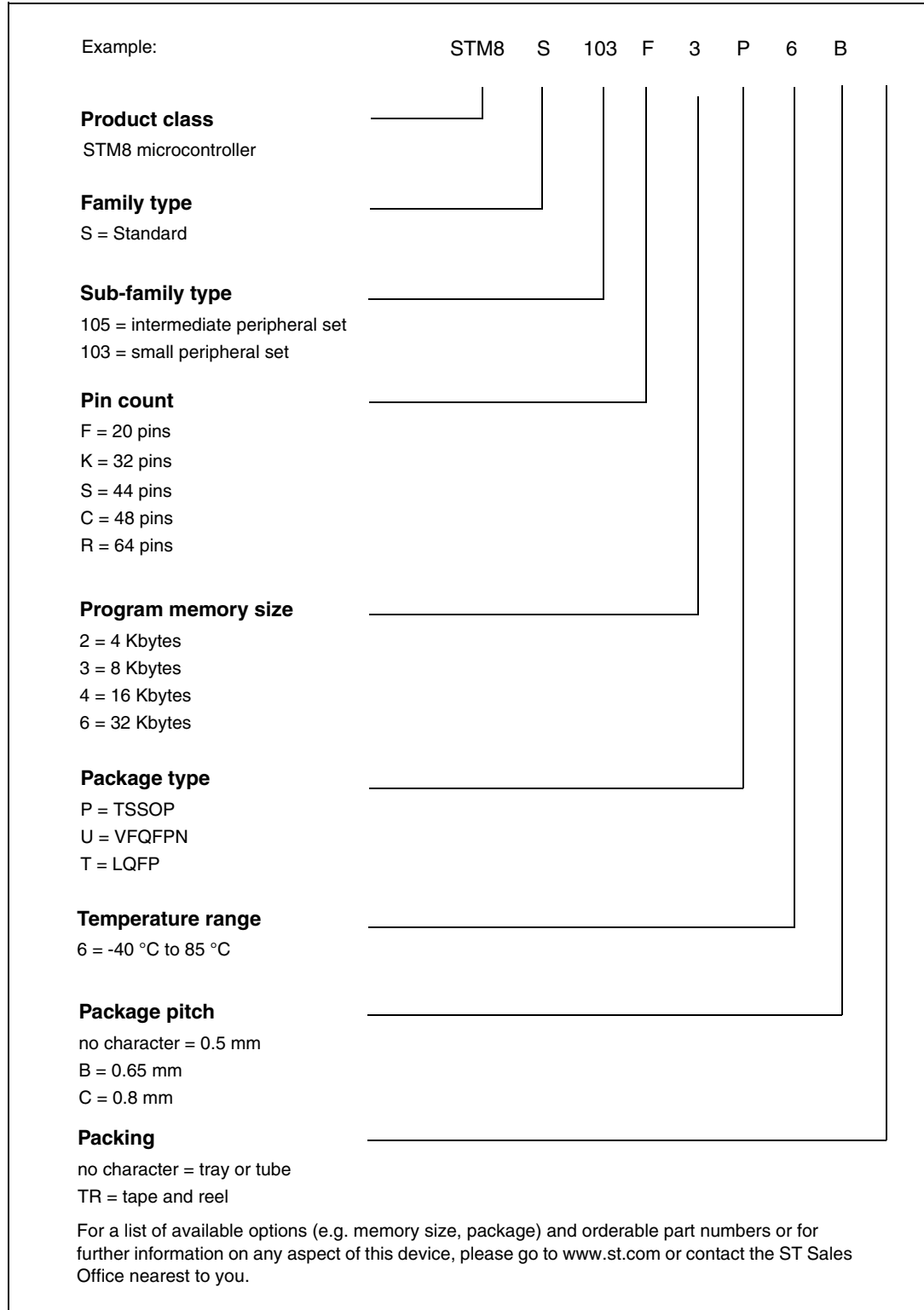
Table 23. TSSOP 20-pin, 4.40 mm body, 0.65 mm pitch mechanical data

| Dim. | mm   |      |      | inches <sup>(1)</sup> |        |        |
|------|------|------|------|-----------------------|--------|--------|
|      | Min  | Typ  | Max  | Min                   | Typ    | Max    |
| A    |      |      | 1.2  |                       |        | 0.0472 |
| A1   | 0.05 |      | 0.15 | 0.002                 |        | 0.0059 |
| A2   | 0.8  | 1    | 1.05 | 0.0315                | 0.0394 | 0.0413 |
| b    | 0.19 |      | 0.3  | 0.0075                |        | 0.0118 |
| CP   |      |      | 0.1  |                       |        | 0.0039 |
| c    | 0.09 |      | 0.2  | 0.0035                |        | 0.0079 |
| D    | 6.4  | 6.5  | 6.6  | 0.252                 | 0.2559 | 0.2598 |
| E    | 6.2  | 6.4  | 6.6  | 0.2441                | 0.252  | 0.2598 |
| E1   | 4.3  | 4.4  | 4.5  | 0.1693                | 0.1732 | 0.1772 |
| e    | -    | 0.65 | -    | -                     | 0.0256 | -      |
| L    | 0.45 | 0.6  | 0.75 | 0.0177                | 0.0236 | 0.0295 |
| L1   |      | 1    |      |                       | 0.0394 |        |
| a    | 0°   |      | 8°   | 0°                    |        | 8°     |

1. Values in inches are converted from mm and rounded to 4 decimal digits

# 9 Ordering information

**Figure 35. STM8S103/105 access line ordering information scheme**



## 10 STM8 development tools

Development tools for the STM8 microcontrollers include the full-featured STice emulation system supported by a complete software tool package including C compiler, assembler and integrated development environment with high-level language debugger. In addition, the STM8 is to be supported by a complete range of tools including starter kits, evaluation boards and a low-cost in-circuit debugger/programmer.

### 10.1 Emulation and in-circuit debugging tools

The STM8 tool line includes the full-featured STice emulation system offering a complete range of emulation and in-circuit debugging features on a platform that is designed for versatility and cost-effectiveness. In addition, STM8 application development is supported by a low-cost in-circuit debugger/programmer.

The STice is the fourth generation of full featured emulators from STMicroelectronics. It offers new advanced debugging capabilities including profiling and coverage to help detect and eliminate bottlenecks in application execution and dead code when fine tuning an application.

In addition, STice offers in-circuit debugging and programming of STM8 microcontrollers via the STM8 single wire interface module (SWIM), which allows non-intrusive debugging of an application while it runs on the target microcontroller.

For improved cost effectiveness, STice is based on a modular design that allows you to order exactly what you need to meet your development requirements and to adapt your emulation system to support existing and future ST microcontrollers.

#### STice key features

- Occurrence and time profiling and code coverage (new features)
- Advanced breakpoints with up to 4 levels of conditions
- Data breakpoints
- Program and data trace recording up to 128 K records
- Read/write on the fly of memory during emulation
- In-circuit debugging/programming via SWIM protocol
- 8-bit probe analyzer
- 1 input and 2 output triggers
- Power supply follower managing application voltages between 1.62 to 5.5 V
- Modularity that allows you to specify the components you need to meet your development requirements and adapt to future requirements
- Supported by free software tools that include integrated development environment (IDE), programming software interface and assembler for STM8

## 10.2 Software tools

STM8 development tools are supported by a complete, free software package from STMicroelectronics that includes ST visual develop (STVD) IDE and the ST visual programmer (STVP) software interface. STVD provides seamless integration of the cosmic C compiler for STM8, which is available in a free version that outputs up to 16 Kbytes of code.

### 10.2.1 STM8 toolset

**STM8 toolset** with STVD integrated development environment and STVP programming software is available for free download at [www.st.com/mcu](http://www.st.com/mcu). This package includes:

**ST visual develop** – Full-featured integrated development environment from ST, featuring

- Seamless integration of C and ASM toolsets
- Full-featured debugger
- Project management
- Syntax highlighting editor
- Integrated programming interface
- Support of advanced emulation features for STIce such as code profiling and coverage

**ST visual programmer (STVP)** – Easy-to-use, unlimited graphical interface allowing read, write and verify of your STM8 microcontroller's Flash memory. STVP also offers project mode for saving programming configurations and automating programming sequences.

### 10.2.2 C and assembly toolchains

Control of C and assembly toolchains is seamlessly integrated into the STVD integrated development environment, making it possible to configure and control the building of your application directly from an easy-to-use graphical interface.

Available toolchains include:

- **Cosmic C compiler for STM8** – Available in a free version that outputs up to 16 Kbytes of code. For more information, see [www.cosmic-software.com](http://www.cosmic-software.com).
- **Raisonance C compiler for STM8** – Available in a free version that outputs up to 16 Kbytes of code. For more information, see [www.raisonance.com](http://www.raisonance.com).
- **ST7/STM8 assembler linker** – Free assembly toolchain included in the ST7/STM8 toolset, which allows you to assemble and link your application source code.

## 10.3 Programming tools

During the development cycle, STIce provides in-circuit programming of the STM8 Flash microcontroller on your application board via the SWIM protocol. Additional tools are to include a low-cost in-circuit programmer as well as ST socket boards, which provide dedicated programming platforms with sockets for programming your STM8.

For production environments, programmers will include a complete range of gang and automated programming solutions from third-party tool developers already supplying programmers for the STM8 family.

# 11 Revision history

**Table 24. Document revision history**

| Date        | Revision | Changes  |
|-------------|----------|--|
| 05-Jun-2008 | 1        | Initial release.   |
| 23-Jun-2008 | 2        | Corrected number of high sink outputs to 9 in <i>I/Os on page 1</i> .<br>Updated part numbers in <i>Table 2: STM8S103/105 access line features on page 7</i> . |

**Please Read Carefully:**

Information in this document is provided solely in connection with ST products. STMicroelectronics NV and its subsidiaries ("ST") reserve the right to make changes, corrections, modifications or improvements, to this document, and the products and services described herein at any time, without notice.

All ST products are sold pursuant to ST's terms and conditions of sale.

Purchasers are solely responsible for the choice, selection and use of the ST products and services described herein, and ST assumes no liability whatsoever relating to the choice, selection or use of the ST products and services described herein.

No license, express or implied, by estoppel or otherwise, to any intellectual property rights is granted under this document. If any part of this document refers to any third party products or services it shall not be deemed a license grant by ST for the use of such third party products or services, or any intellectual property contained therein or considered as a warranty covering the use in any manner whatsoever of such third party products or services or any intellectual property contained therein.

**UNLESS OTHERWISE SET FORTH IN ST'S TERMS AND CONDITIONS OF SALE ST DISCLAIMS ANY EXPRESS OR IMPLIED WARRANTY WITH RESPECT TO THE USE AND/OR SALE OF ST PRODUCTS INCLUDING WITHOUT LIMITATION IMPLIED WARRANTIES OF MERCHANTABILITY, FITNESS FOR A PARTICULAR PURPOSE (AND THEIR EQUIVALENTS UNDER THE LAWS OF ANY JURISDICTION), OR INFRINGEMENT OF ANY PATENT, COPYRIGHT OR OTHER INTELLECTUAL PROPERTY RIGHT.**

**UNLESS EXPRESSLY APPROVED IN WRITING BY AN AUTHORIZED ST REPRESENTATIVE, ST PRODUCTS ARE NOT RECOMMENDED, AUTHORIZED OR WARRANTED FOR USE IN MILITARY, AIR CRAFT, SPACE, LIFE SAVING, OR LIFE SUSTAINING APPLICATIONS, NOR IN PRODUCTS OR SYSTEMS WHERE FAILURE OR MALFUNCTION MAY RESULT IN PERSONAL INJURY, DEATH, OR SEVERE PROPERTY OR ENVIRONMENTAL DAMAGE. ST PRODUCTS WHICH ARE NOT SPECIFIED AS "AUTOMOTIVE GRADE" MAY ONLY BE USED IN AUTOMOTIVE APPLICATIONS AT USER'S OWN RISK.**

Resale of ST products with provisions different from the statements and/or technical features set forth in this document shall immediately void any warranty granted by ST for the ST product or service described herein and shall not create or extend in any manner whatsoever, any liability of ST.

ST and the ST logo are trademarks or registered trademarks of ST in various countries.

Information in this document supersedes and replaces all information previously supplied.

The ST logo is a registered trademark of STMicroelectronics. All other names are the property of their respective owners.

© 2008 STMicroelectronics - All rights reserved

STMicroelectronics group of companies

Australia - Belgium - Brazil - Canada - China - Czech Republic - Finland - France - Germany - Hong Kong - India - Israel - Italy - Japan - Malaysia - Malta - Morocco - Singapore - Spain - Sweden - Switzerland - United Kingdom - United States of America

[www.st.com](http://www.st.com)