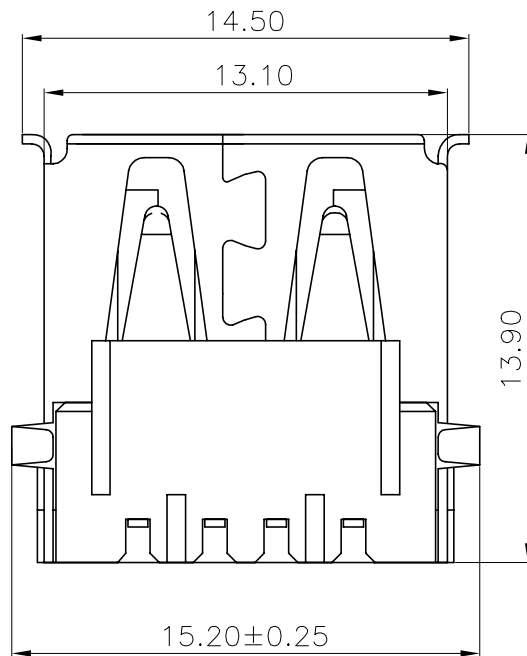


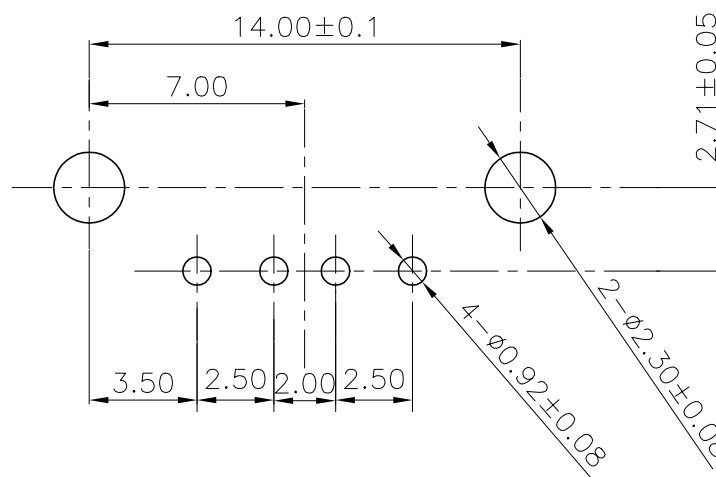
NOTE:  
2545A-04 □□□

1. Selective plating

- G1T-05u" Min. gold in contact area/  
100u" Min. Tin in solder area
- G2T-Gold flash in contact area/  
100u" Min. Tin in solder area
- G3T-10u" Min. gold in contact area/  
100u" Min. Tin in solder area
- G4T-15u" Min. gold in contact area/  
100u" Min. Tin in solder area
- G5T-30u" Min. gold in contact area/  
100u" Min. Tin in solder area
- G6T-50u" Min. gold in contact area/  
100u" Min. Tin in solder area



Recommended P.C.B Layout



3	Shell	C2680	—	Ni Plated
2	Terminal	C6280	—	Gold/Tin Plated
1	Plastic	PBT	BLACK	UL94V-9
NO.	DESCRIPTION	MATERIAL	COLOR	REMARK

**SUYIN**  
CONNECTOR

CUSTOMER COPY	TITLE: USB A TYPE 單層
PART NO.	_____
PART NO. (OLD)	2545A-04GXT
DRAWING NO.	2545A-04GXT
SCALE	4:1
UNIT	mm
A4	⊕

ECN (DCN) NO.	REV	DATE	DESCRIPTION	CHANGE	APPRO.	Angle	±2°	DRAW
	0		NEW			30 ~	±0.50	DESIGN
						10 ~ 30	±0.30	CHECK
						~ 10	±0.15	APPRO.
						GENERAL TOLERANCE UNLESS OTHERWISE NOTED		